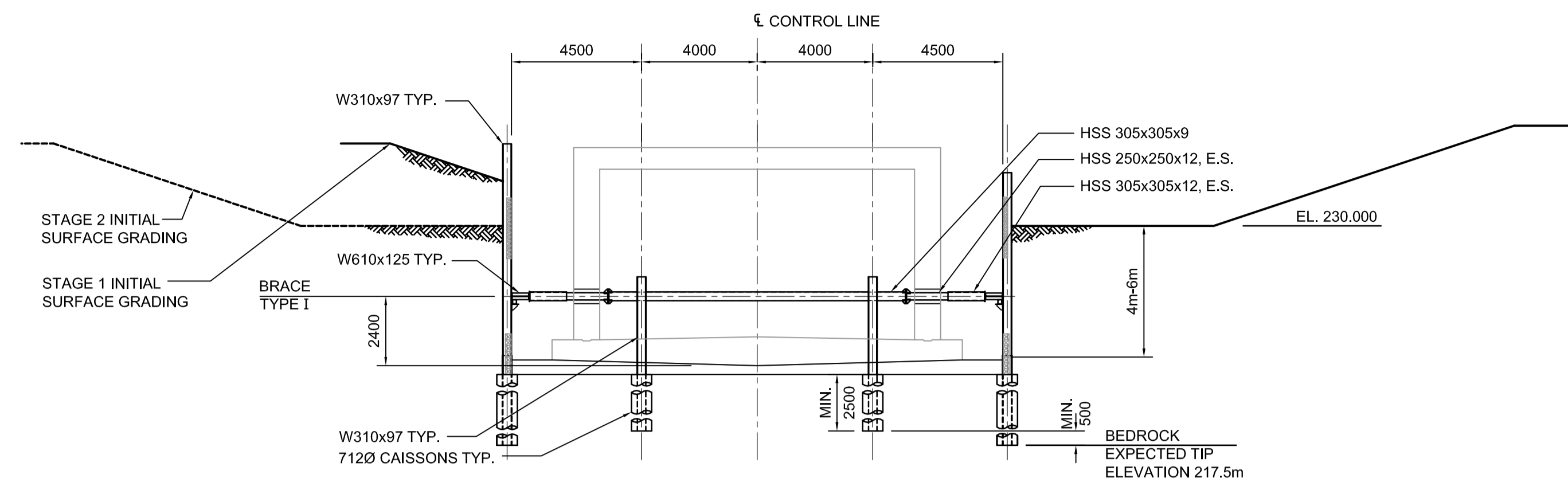
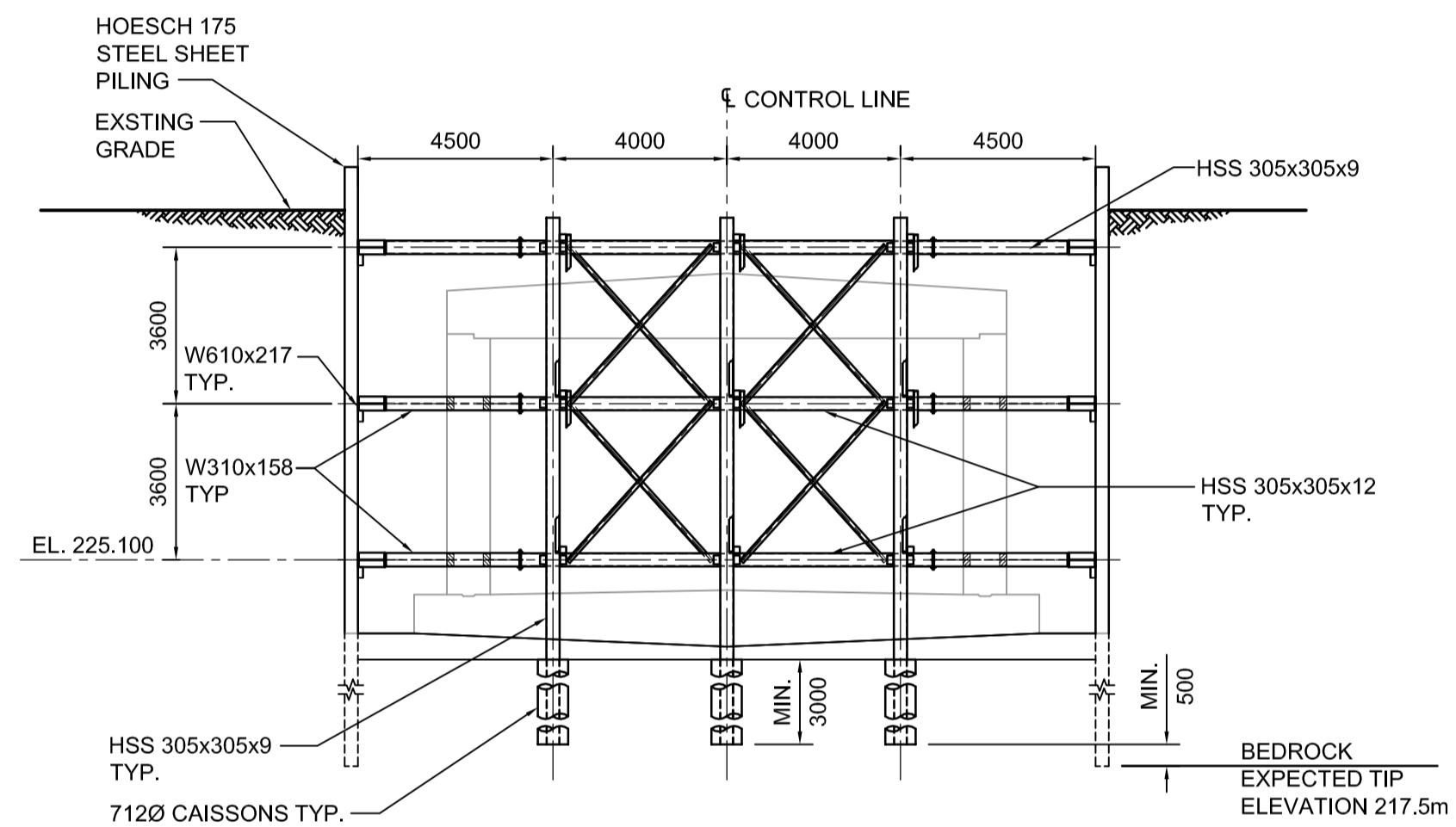


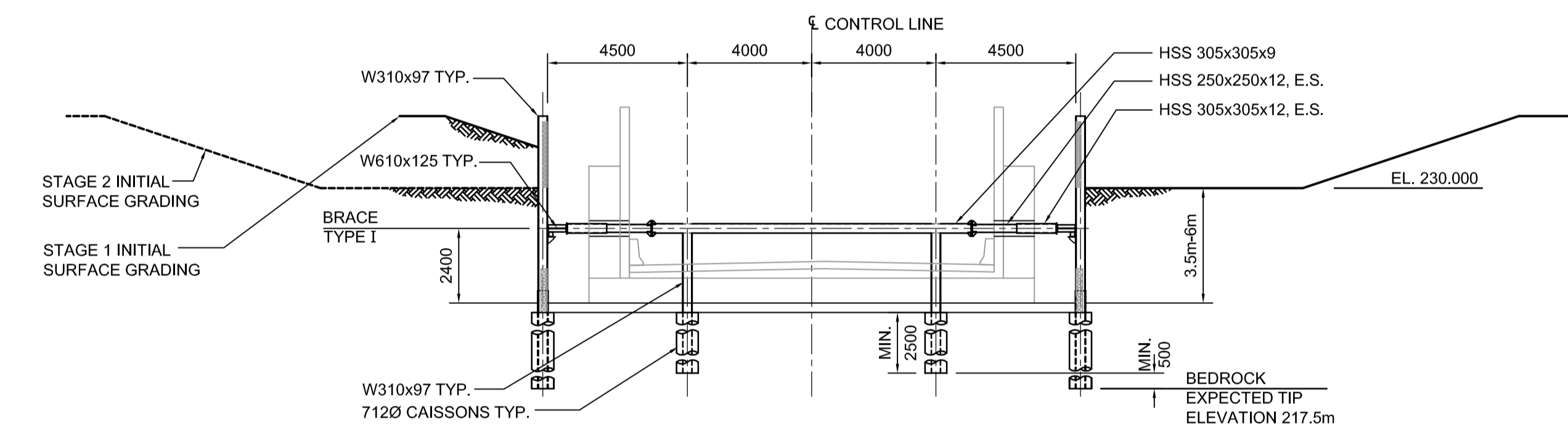
SECTION A
1:150



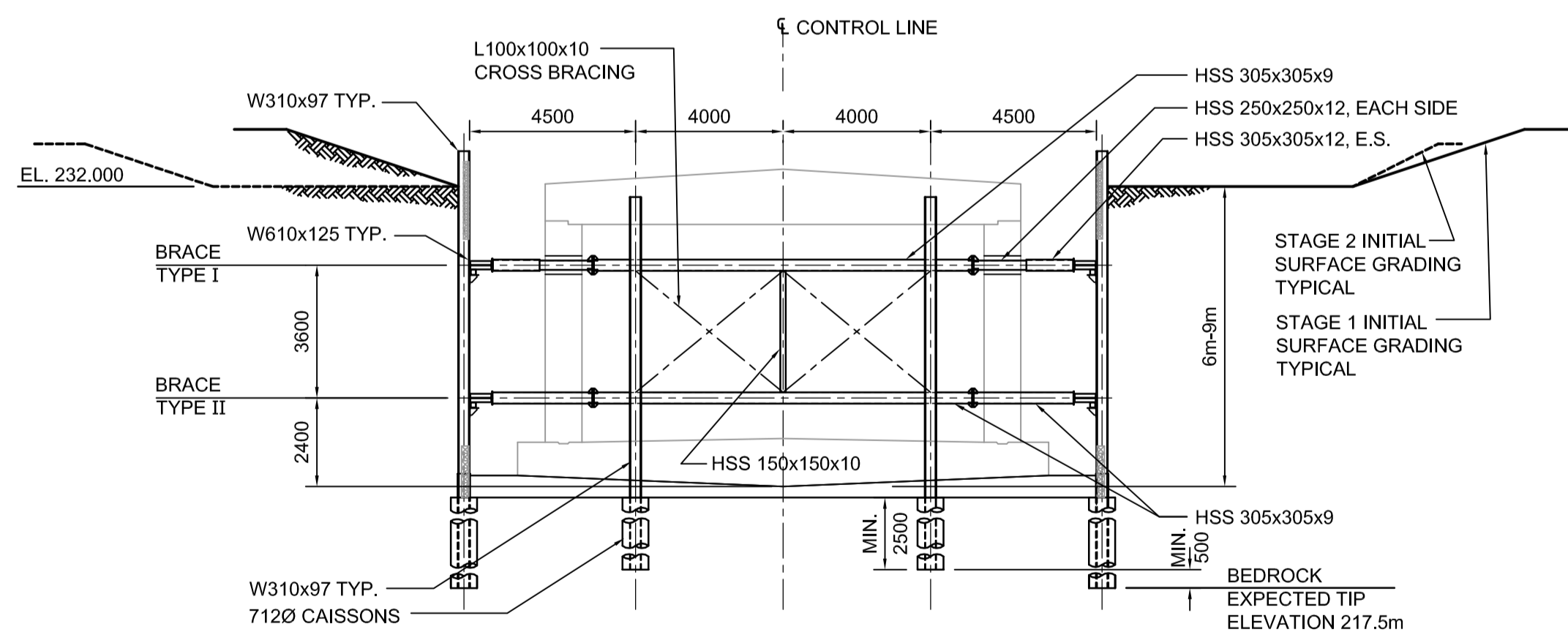
SECTION (4m-6m) D
1:150



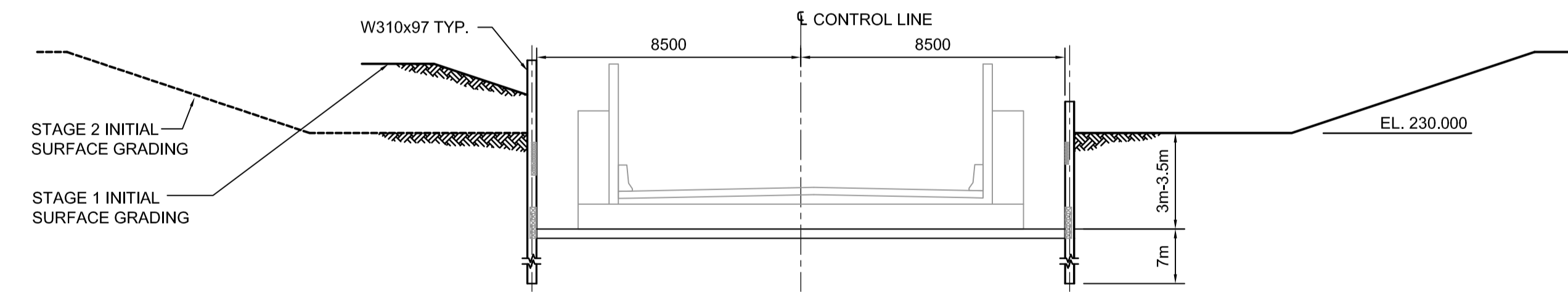
SECTION B
1:150



SECTION (3.5m-6m) E
1:150



SECTION (6m-9m) C
1:150



SECTION (3m-3.5m) F
1:150

L:\work\112000\112000\02-cad\Proj_Drawings\STR\CONTR\577-2009_SECTIONS_C4-S1002-T-R0.dwg

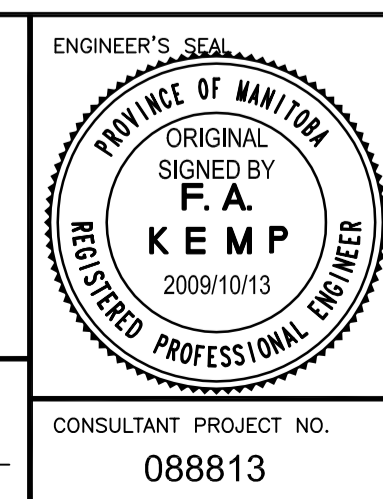
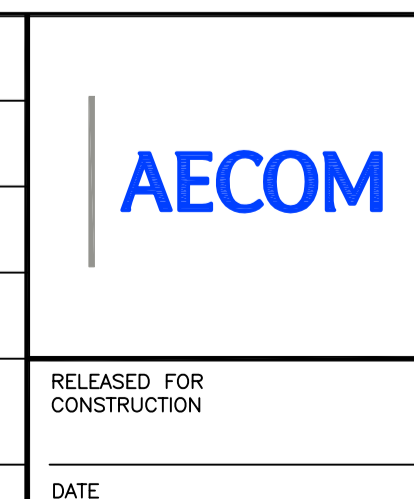


DO NOT SCALE THIS DOCUMENT. ALL MEASUREMENTS MUST BE OBTAINED FROM STATED DIMENSIONS. This drawing has been prepared for the use of AECOM's client and may not be used, reproduced or relied upon by third parties, except as agreed by AECOM and its client, as required by law or for use by governmental reviewing agencies. AECOM accepts no responsibility, and denies any liability whatsoever, to any party that modifies this drawing without AECOM's express written consent.

LOCATION UNDERGROUND	APPROVED STRUCTURES	B.M. ELEV.
SUPV. U/G STRUCTURES COMMITTEE	DATE	
NOTE: LOCATION OF UNDERGROUND STRUCTURES AS SHOWN ARE BASED ON THE BEST INFORMATION AVAILABLE. BUT NO GUARANTEE IS GIVEN THAT ALL EXISTING UTILITIES ARE SHOWN OR THAT THE GIVEN LOCATIONS ARE EXACT. CONFIRMATION OF EXISTENCE AND EXACT LOCATION OF ALL SERVICES MUST BE OBTAINED FROM THE INDIVIDUAL UTILITIES BEFORE PROCEEDING WITH CONSTRUCTION.		
NO.	REVISIONS	DATE

DESIGNED BY	FK
DRAWN BY	CAA
CHECKED BY	RE/KC
APPROVED BY	EBL
HOR. SCALE	AS NOTED
VERTICAL	
DATE	2009.10.13

ISSUED FOR TENDER	DATE	BY
0	10.13.09	CAA



THE CITY OF WINNIPEG TRANSIT DEPARTMENT	
SOUTHWEST RAPID TRANSIT CORRIDOR - STAGE 1 TRANSITWAY TUNNEL AT CN RIVER SUBDIVISION MILEAGE 1.38 & ASSOCIATED WORKS	
CITY DRAWING NUMBER	U237-09-14
SHEET	14 OF 73
CONSULTANT DRAWING NUMBER	C4-S1002-T