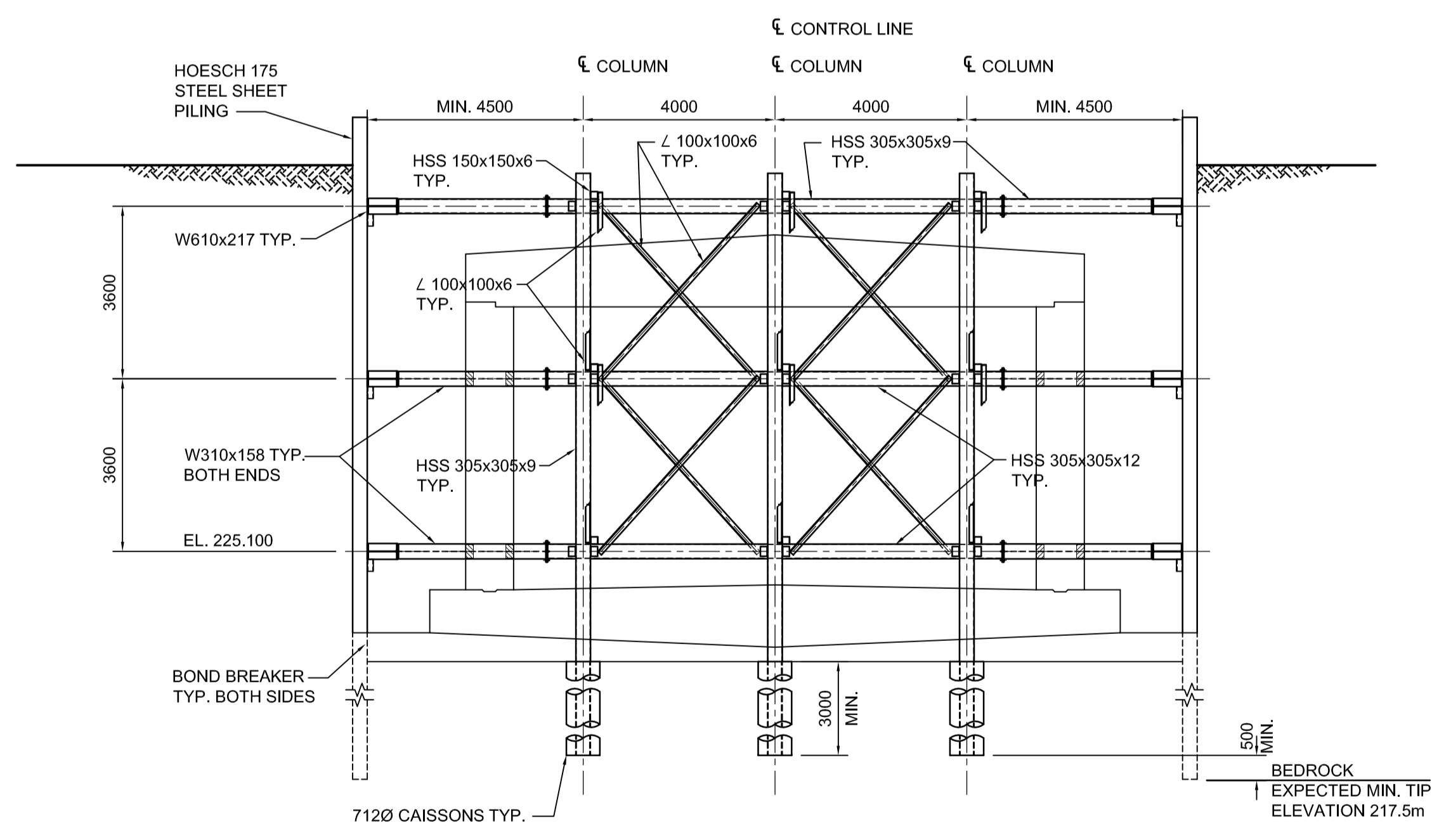
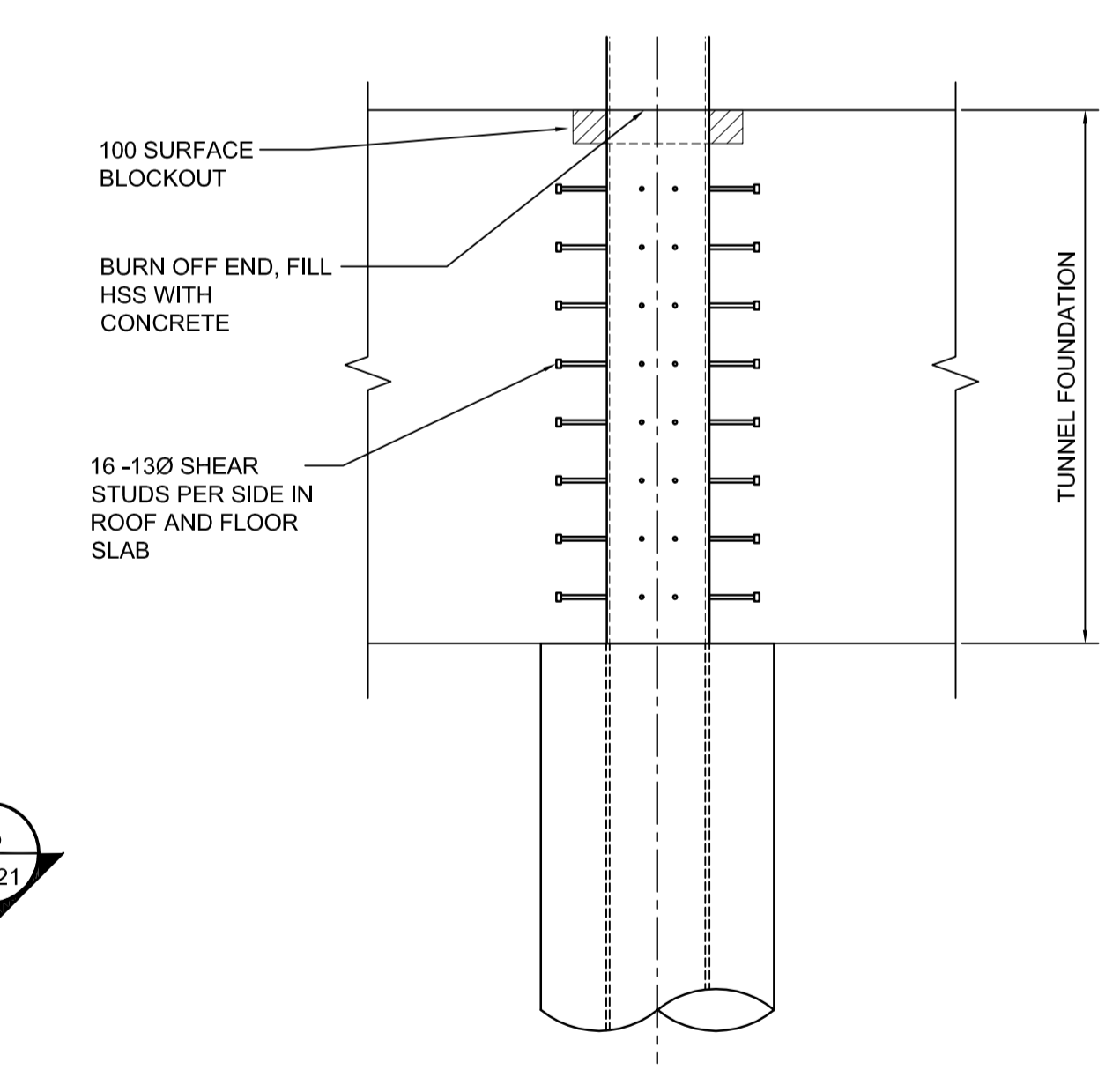
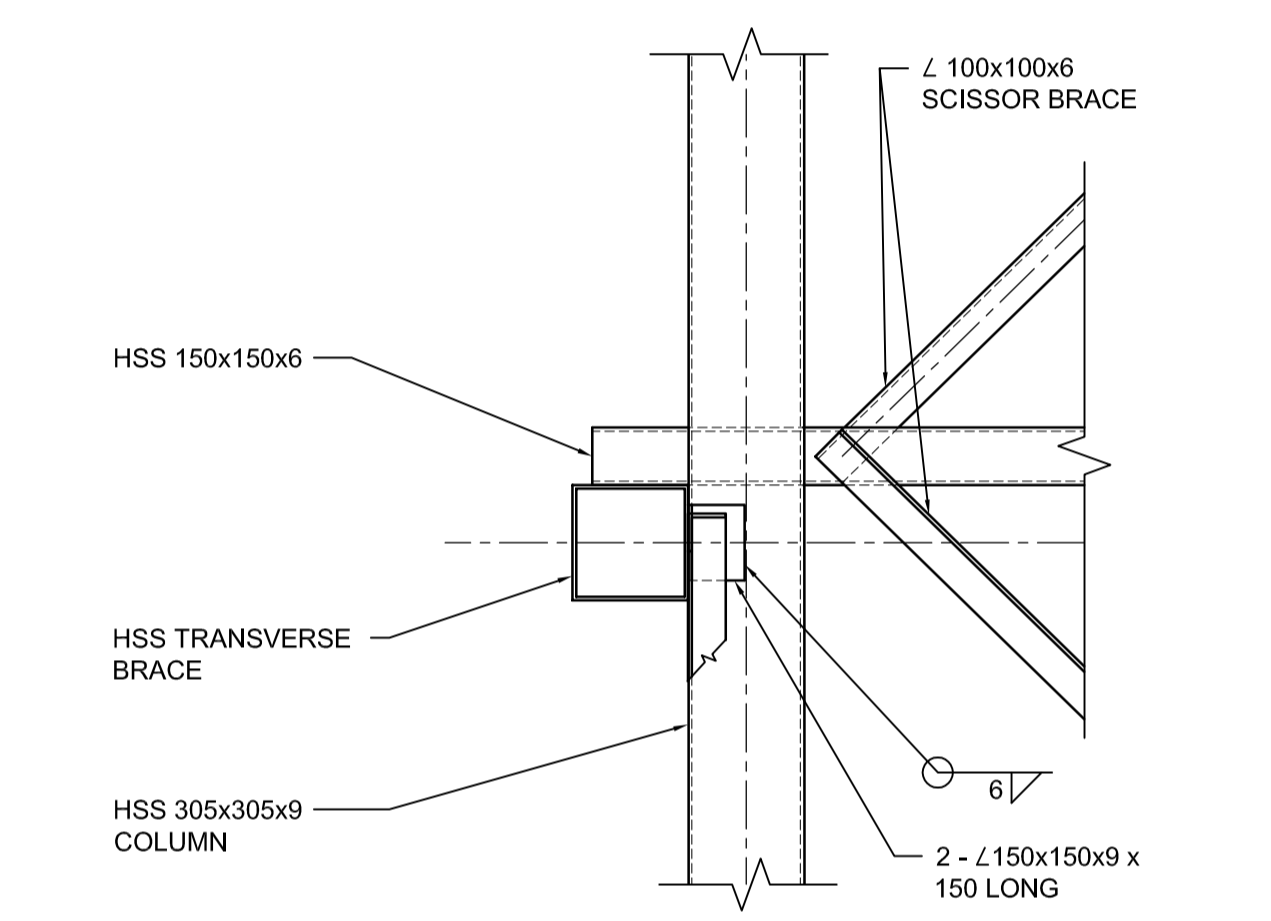
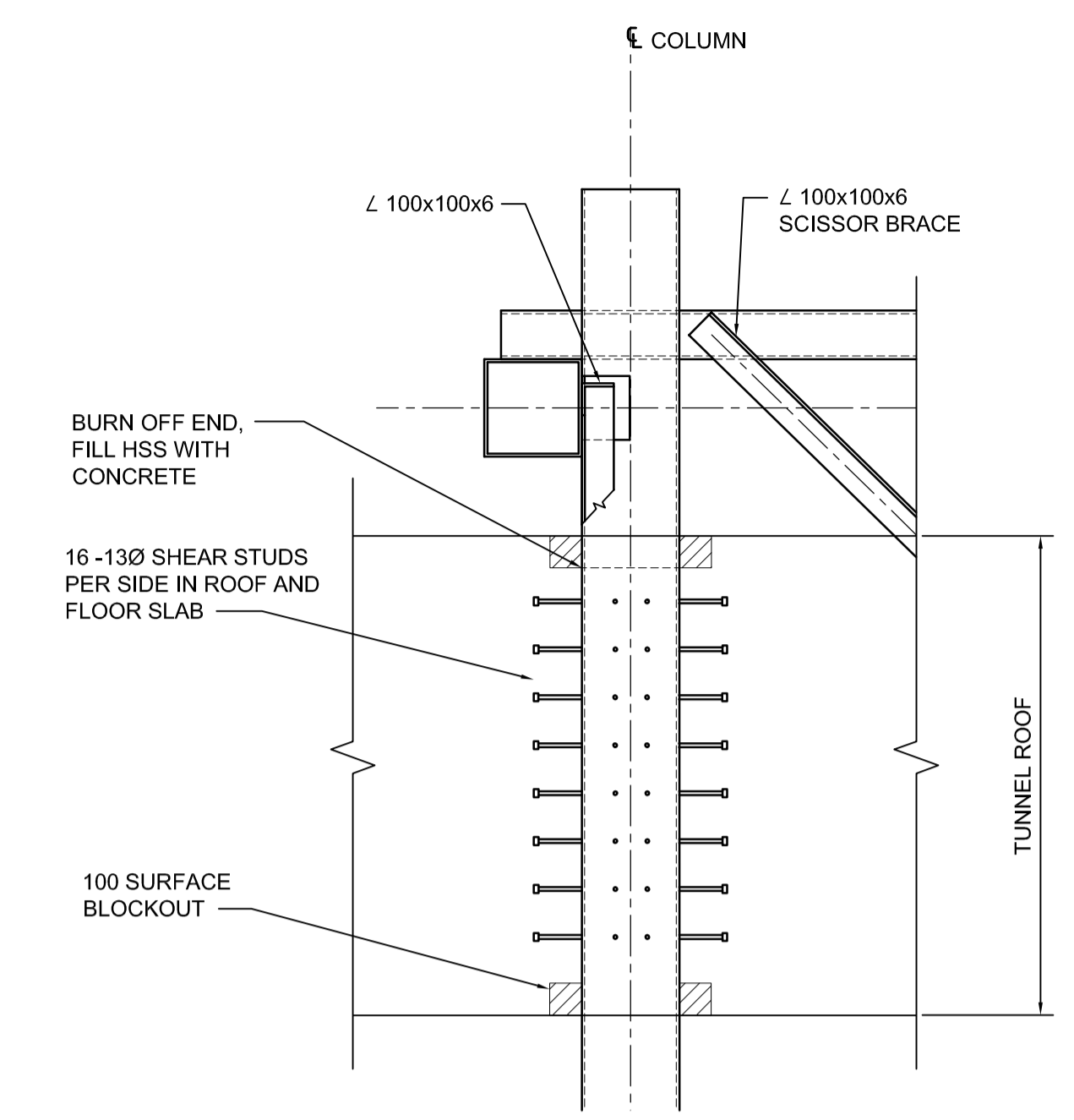
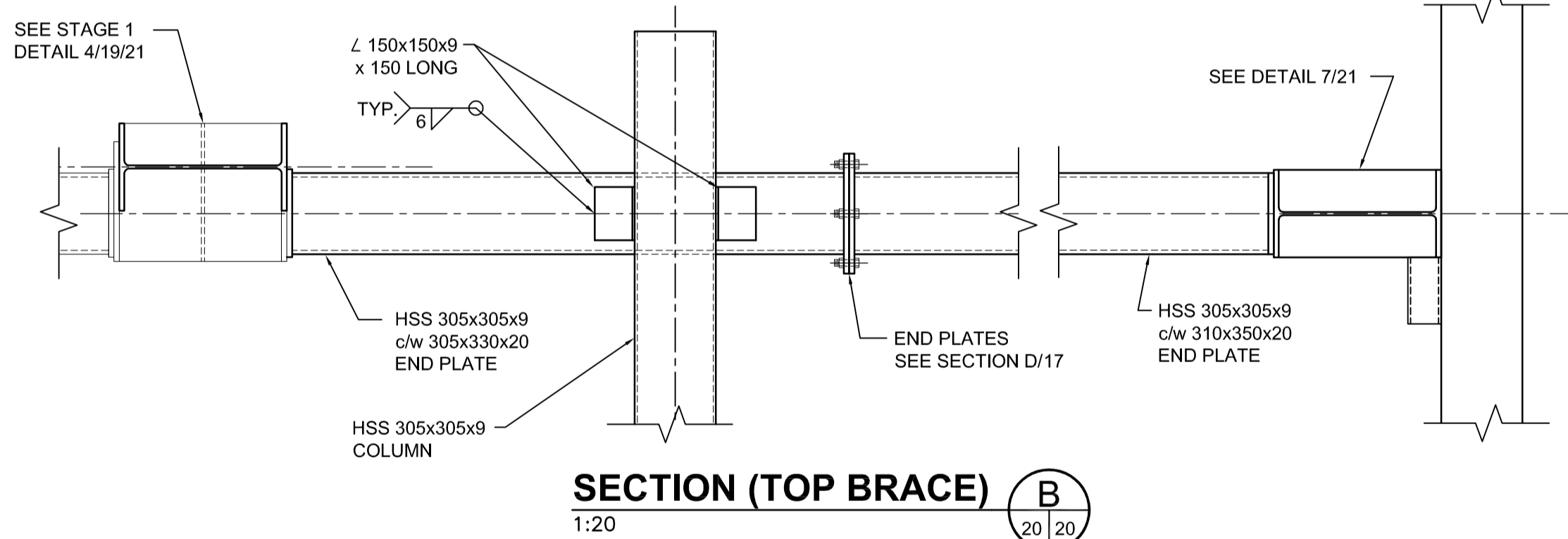


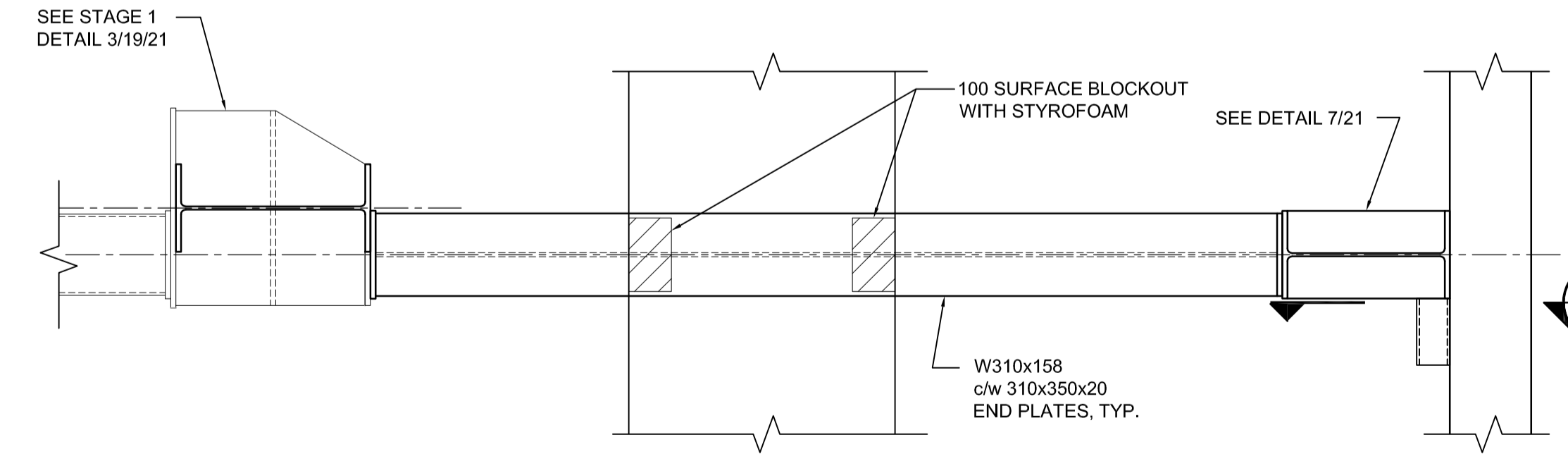
**STAGE 2A BRACED SHORING**  
SCALE 1:100



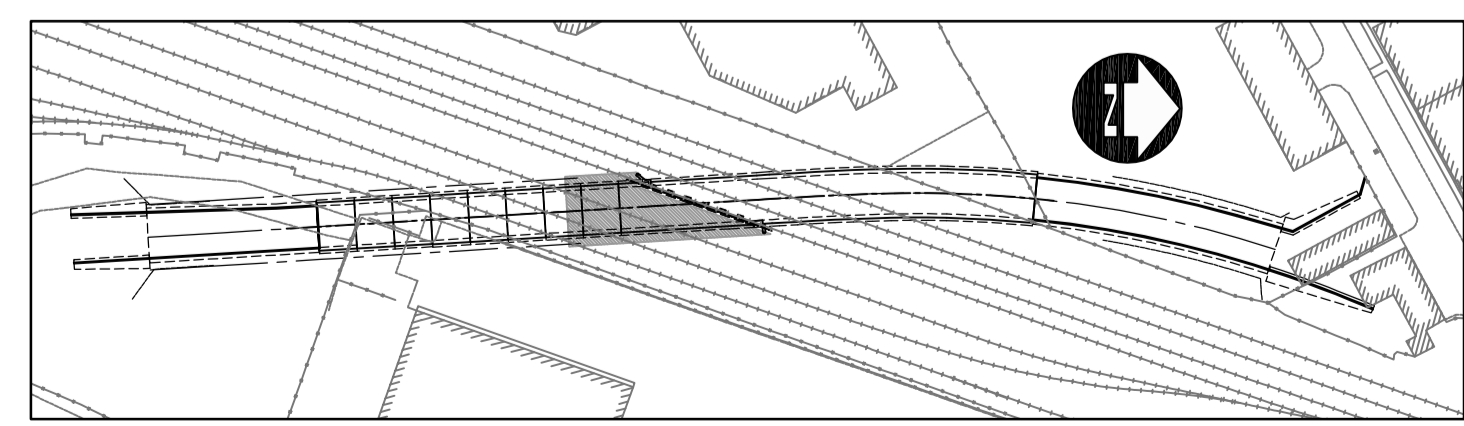
**SECTION A**  
1:100



**SECTION (TOP BRACE) B**  
1:20



**SECTION (MID. & BOT. BRACE) C**  
1:20



**INTERFACE BRACED SHORING KEY PLAN**  
SCALE 1:2000

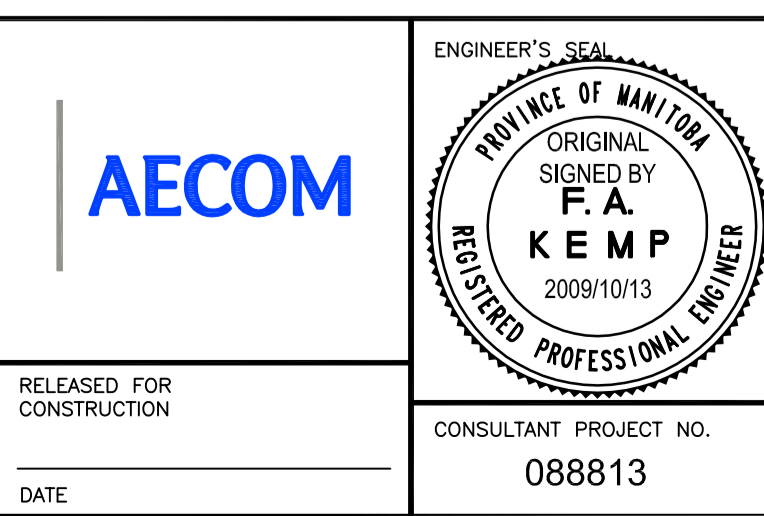


DO NOT SCALE THIS DOCUMENT. ALL MEASUREMENTS MUST BE OBTAINED FROM STATED DIMENSIONS. This drawing has been prepared for the use of AECOM's client and may not be used, reproduced or relied upon by third parties, except as agreed by AECOM and its client, as required by law or for use by governmental reviewing agencies. AECOM accepts no responsibility, and denies any liability whatsoever, to any party that modifies this drawing without AECOM's express written consent.

LOCATION UNDERGROUND	APPROVED STRUCTURES	B.M. ELEV.	DESIGNED BY	FK
SUPPLY U/G STRUCTURES COMMITTEE	DATE		DRAWN BY	KA
			CHECKED BY	RE/KC
			APPROVED BY	EBL
			HOR. SCALE	AS NOTED
			VERTICAL	
			ISSUED FOR TENDER	10.13.09 KAA
			NO. REVISIONS	DATE BY
				DATE 2009.10.13

RELEASED FOR CONSTRUCTION	DATE

ENGINEER'S SEAL	PROVINCE OF MANITOBA
ORIGINAL SIGNED BY	F.A. KEMP
REGISTERED PROFESSIONAL ENGINEER	2009/10/13
CONSULTANT PROJECT NO.	088813



**THE CITY OF WINNIPEG TRANSIT DEPARTMENT**

Winnipeg

**SOUTHWEST RAPID TRANSIT CORRIDOR - STAGE 1**  
TRANSITWAY TUNNEL AT CN RIVER SUBDIVISION  
MILEAGE 1.38 & ASSOCIATED WORKS

CITY DRAWING NUMBER: U237-09-20  
SHEET 20 OF 73  
CONSULTANT DRAWING NUMBER: C4-S1008-T

**STAGE 2 INTERFACE BRACED SHORING**