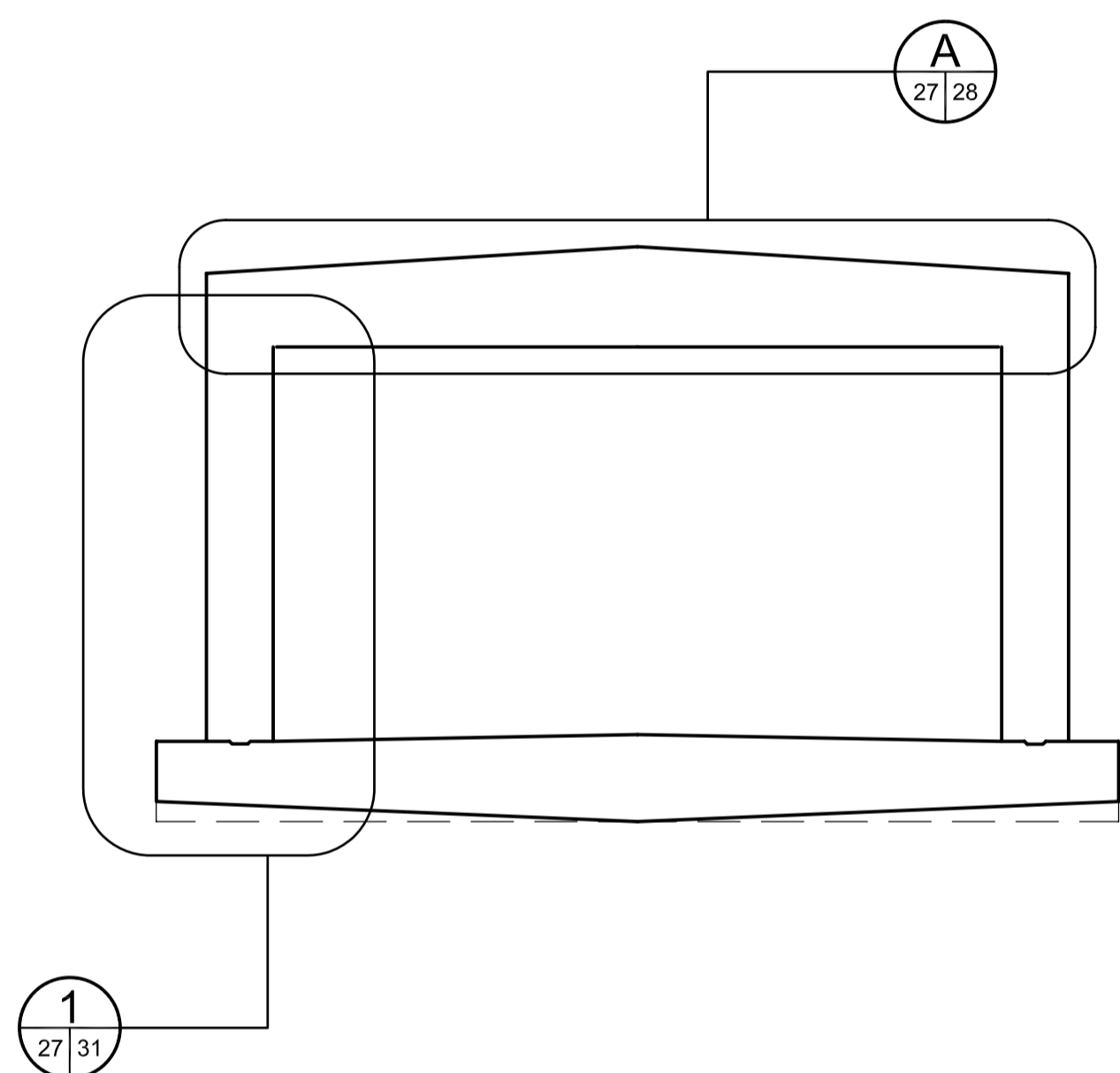
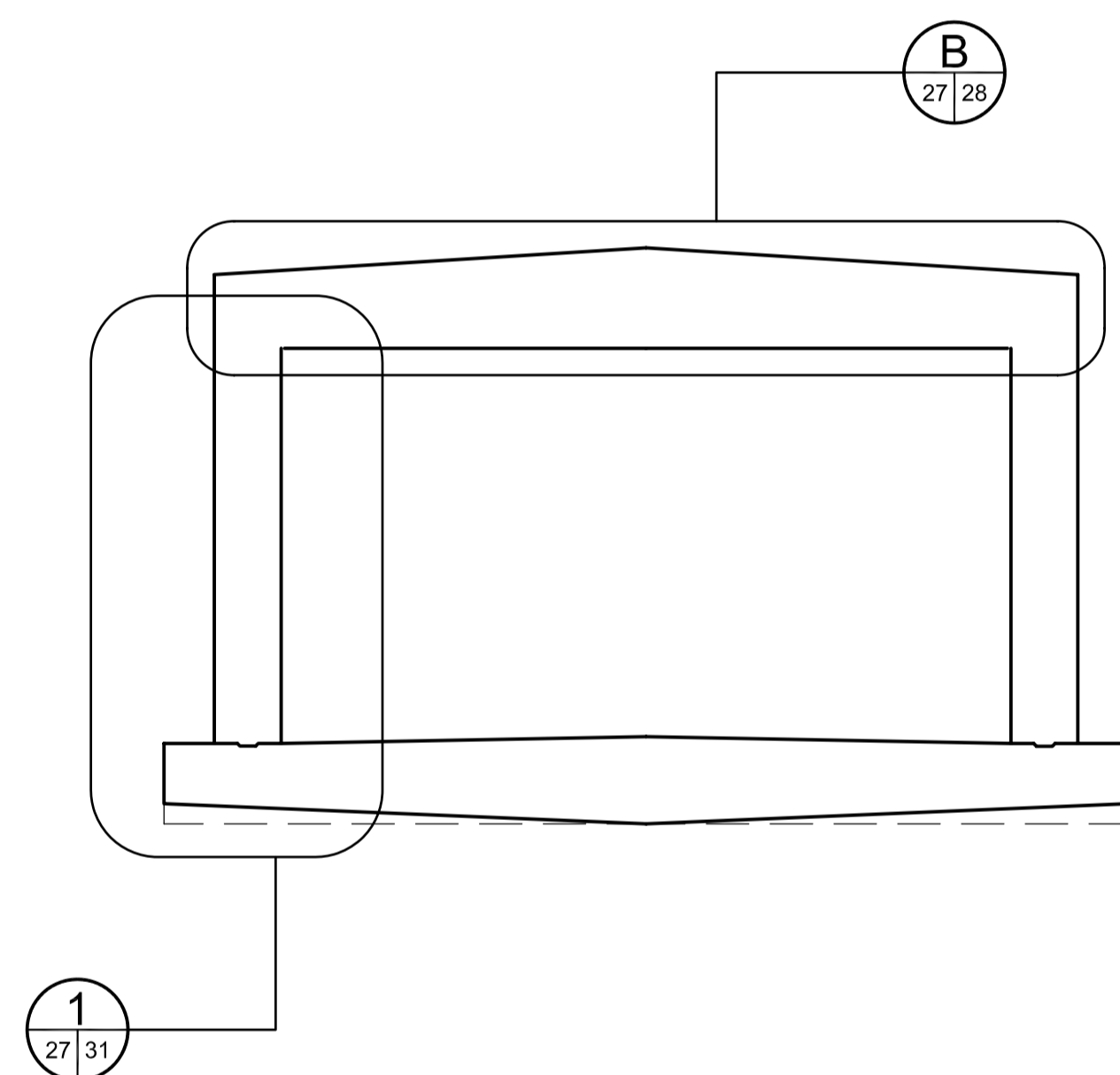


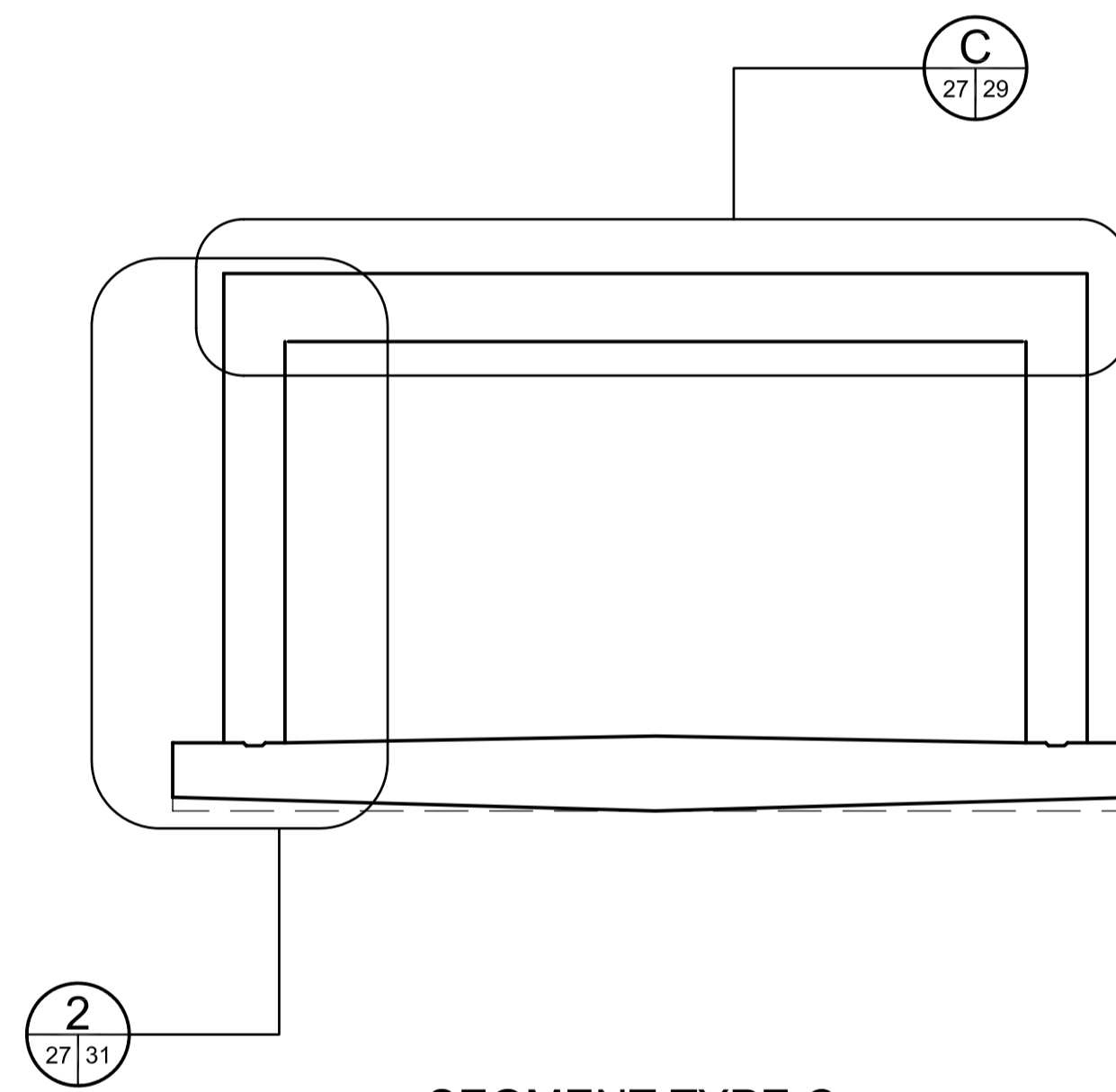
TUNNEL LAYOUT
SCALE 1:300



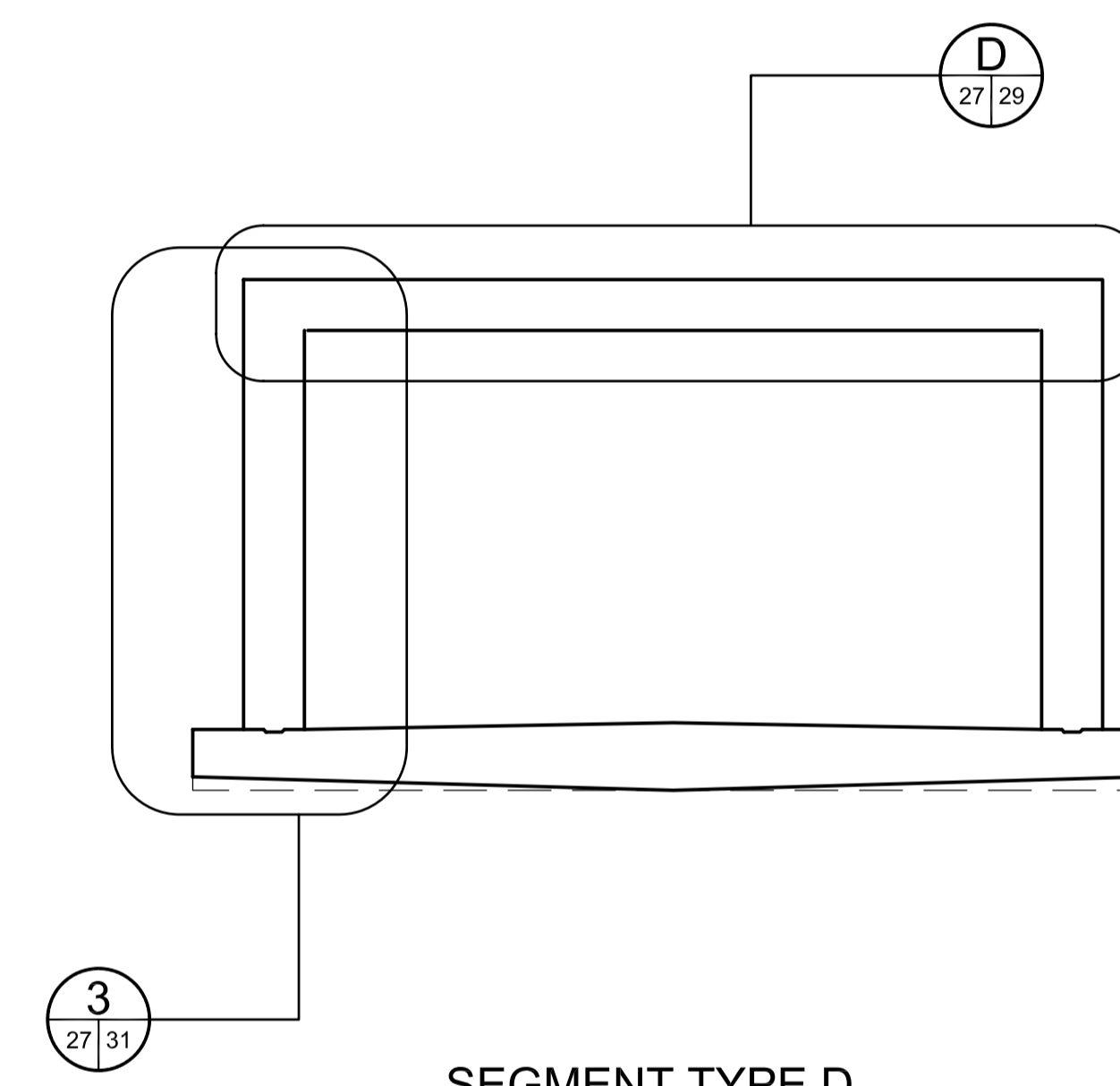
SEGMENT TYPE A
SCALE 1:100



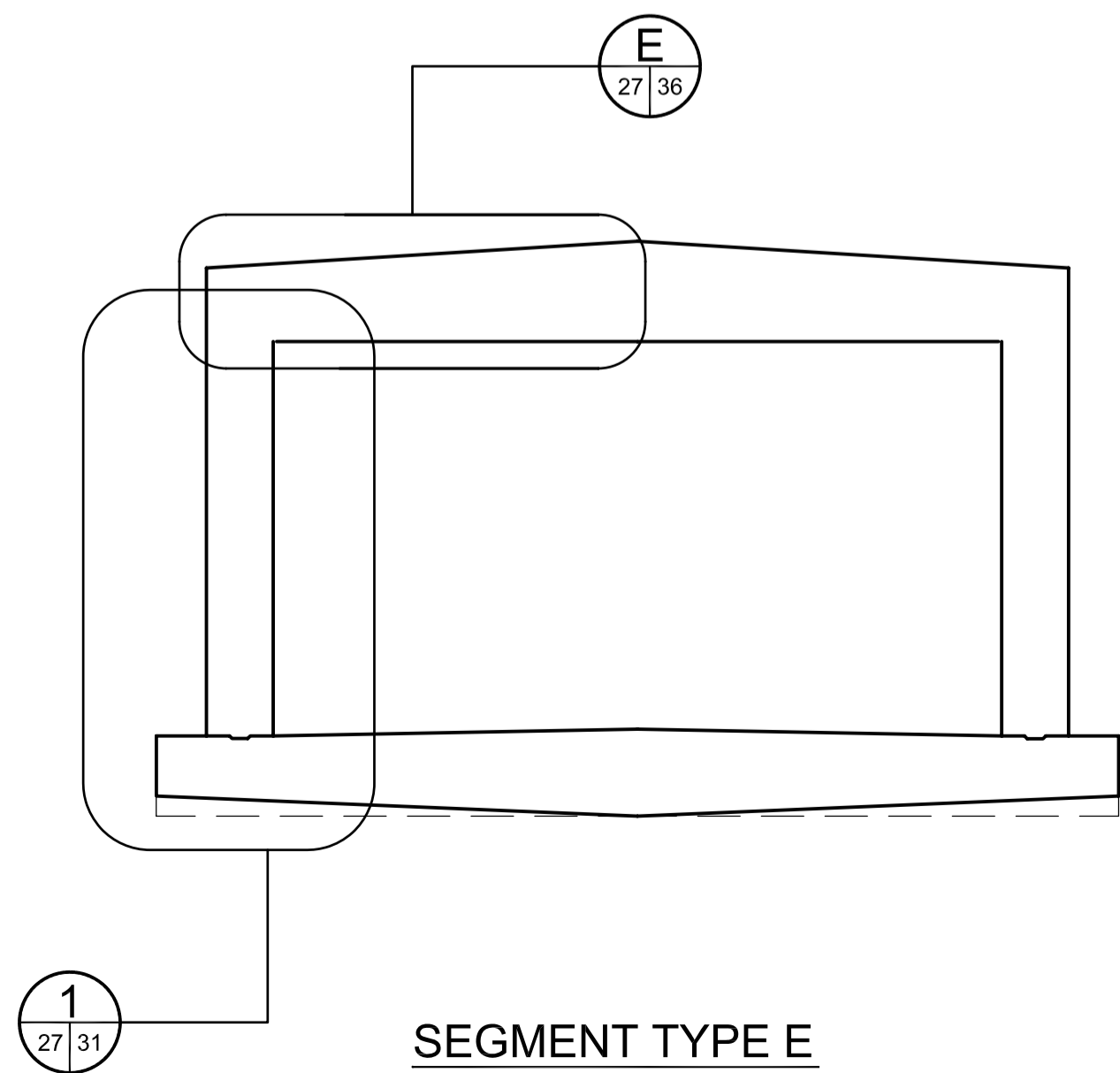
SEGMENT TYPE B
SCALE 1:100



SEGMENT TYPE C
SCALE 1:100



SEGMENT TYPE D
SCALE 1:100



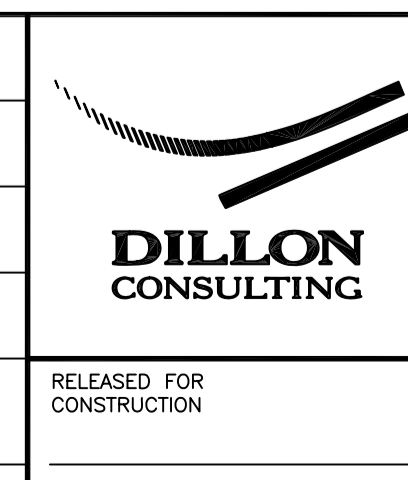
SEGMENT TYPE E
SCALE 1:100



LOCATION UNDERGROUND	APPROVED STRUCTURES	B.M. ELEV.	DESIGNED BY	KGW
SUPV. U/G STRUCTURES COMMITTEE	DATE		DRAWN BY	RCB
NOTE:			CHECKED BY	KGW
LOCATION OF UNDERGROUND STRUCTURES AS SHOWN ARE BASED ON THE BEST INFORMATION AVAILABLE BUT NO GUARANTEE IS GIVEN THAT ALL EXISTING UTILITIES ARE SHOWN OR THAT THE GIVEN LOCATIONS ARE EXACT. CONFIRMATION OF EXISTENCE AND EXACT LOCATION OF ALL SERVICES MUST BE OBTAINED FROM THE INDIVIDUAL UTILITIES BEFORE PROCEEDING WITH CONSTRUCTION.			APPROVED BY	DPK
			HOR. SCALE	AS SHOWN
			VERTICAL	AS SHOWN
0	ISSUED FOR TENDER	10/13/2009	RCB	
NO.	REVISIONS	DATE	BY	DATE
				2009/06/24

RELEASER FOR CONSTRUCTION	DATE	2009/06/24
---------------------------	------	------------

ENGINEER'S SEAL	PROVINCE OF MANITOBA
ORIGINAL SIGNED BY:	K. G. WILLIS
REGISTERED PROFESSIONAL ENGINEER	10-13-2009



CONSULTANT PROJECT NO.	088813
------------------------	--------

THE CITY OF WINNIPEG
TRANSIT DEPARTMENT

Winnipeg

SOUTHWEST RAPID TRANSIT CORRIDOR - STAGE 1
TRANSITWAY TUNNEL AT CN RIVERS SUBDIVISION
MILEAGE 1.38 & ASSOCIATED WORKS

TUNNEL LAYOUT AND SECTIONS

CITY DRAWING NUMBER: U237-09-28
SHEET 28 OF 73
CONSULTANT DRAWING NUMBER: C4-S1105-T