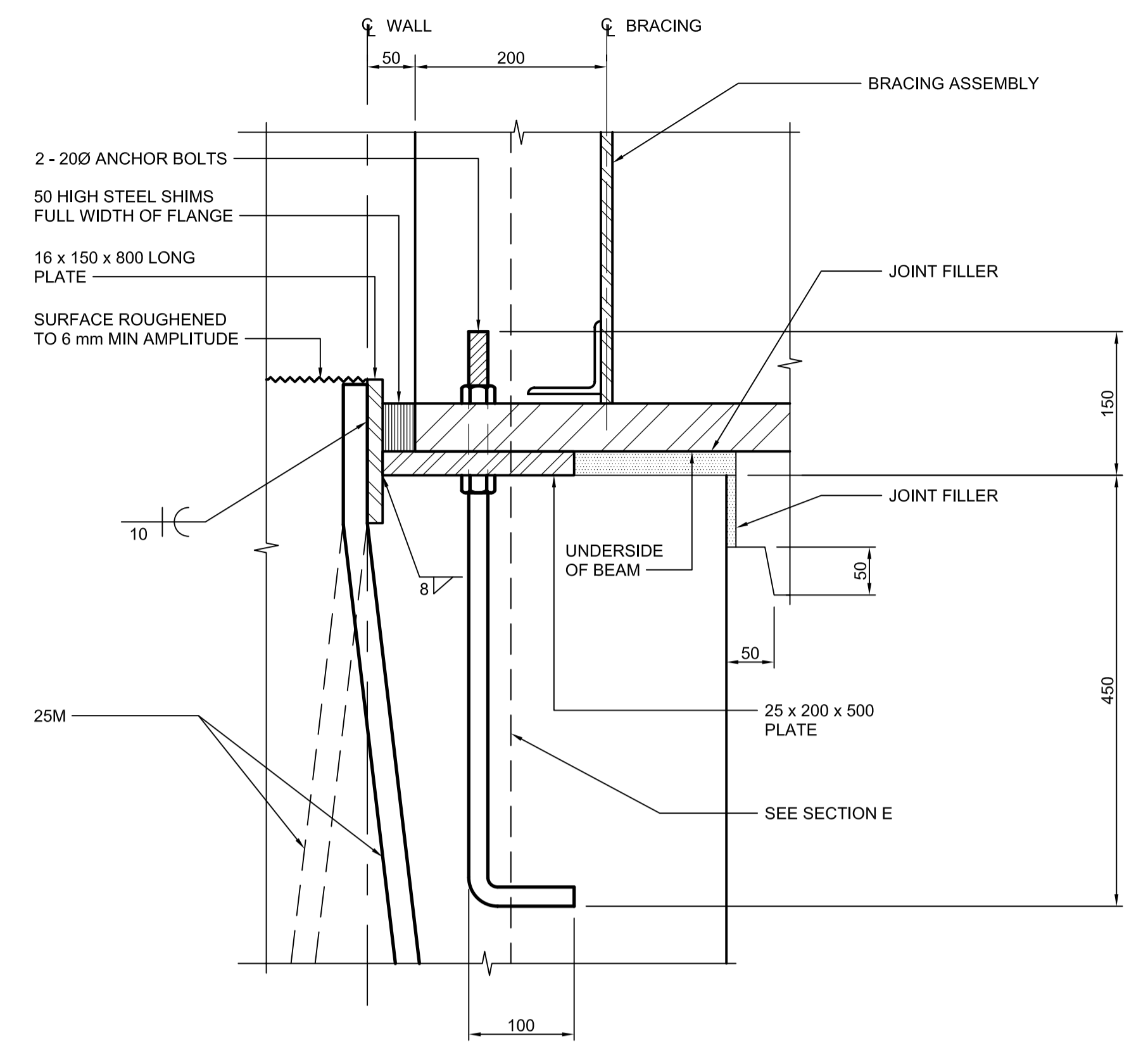
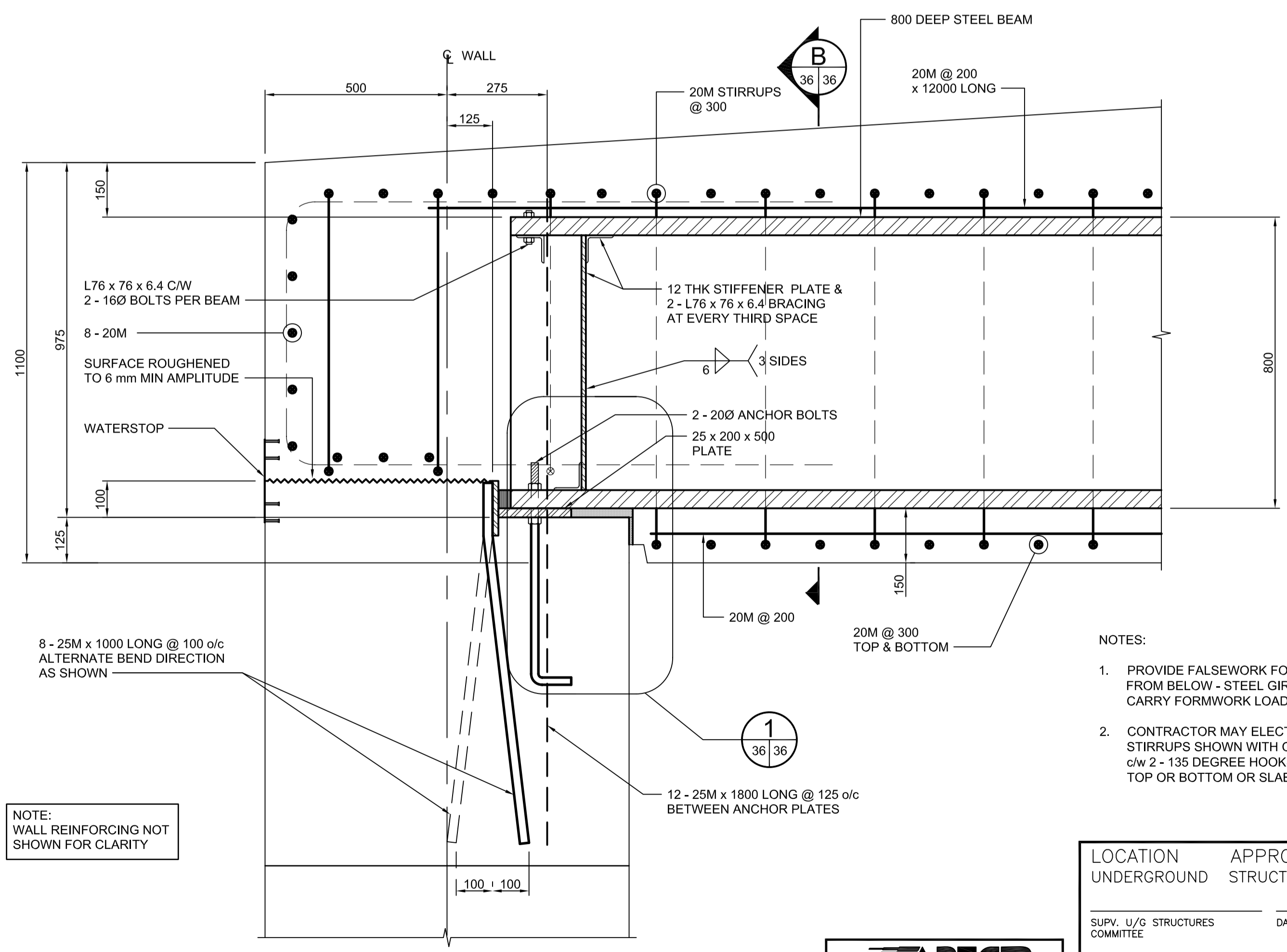


STRUCTURAL STEEL LAYOUT
SCALE 1:100

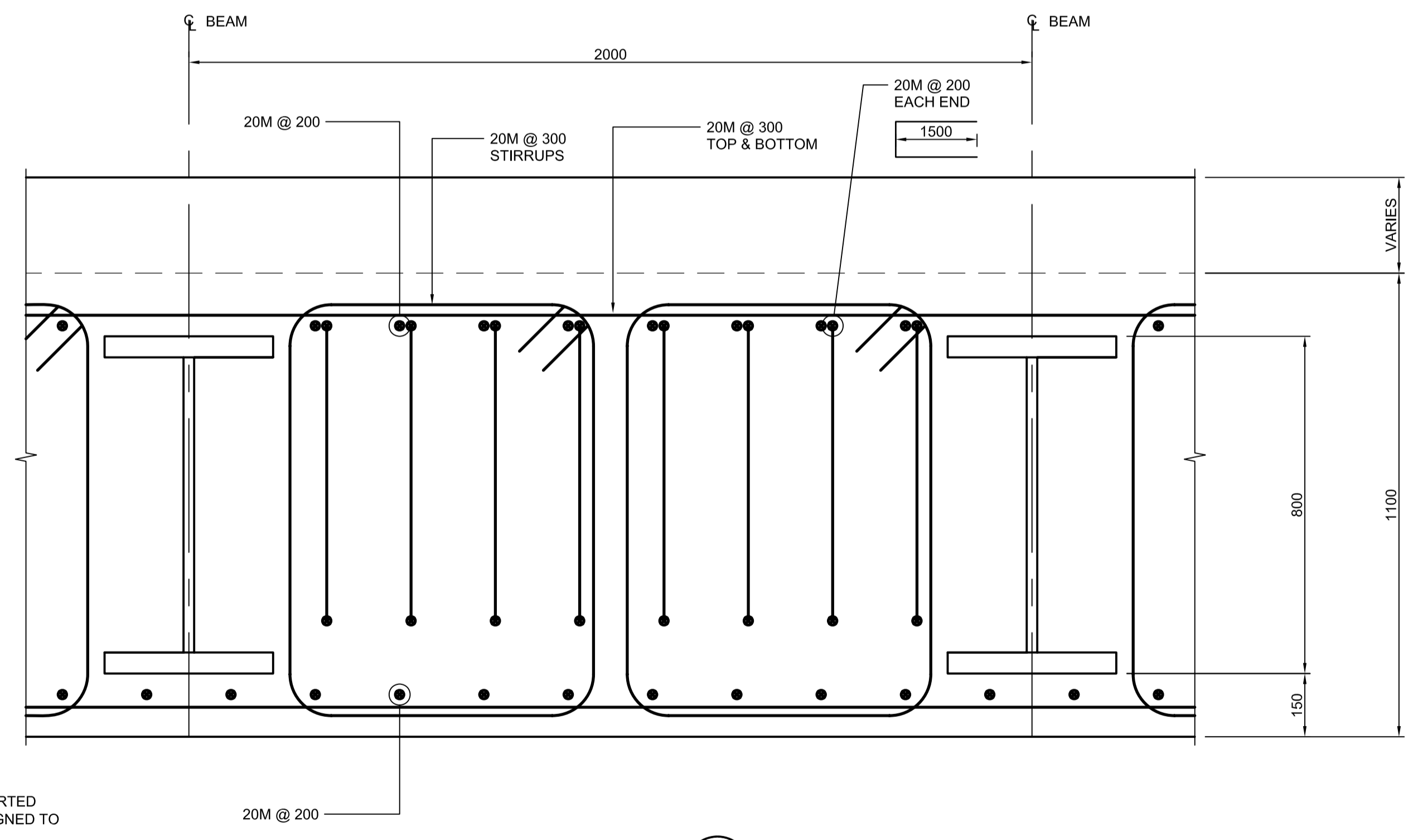


DETAIL 1
SCALE 1:5



NOTE:
WALL REINFORCING NOT SHOWN FOR CLARITY

SECTION E
SCALE 1:10



SECTION B
SCALE 1:10

- NOTES:
1. PROVIDE FALSEWORK FOR ROOF SLAB SUPPORTED FROM BELOW - STEEL GIRDERS ARE NOT DESIGNED TO CARRY FORMWORK LOADS.
 2. CONTRACTOR MAY ELECT TO REPLACE THE CLOSED STIRRUPS SHOWN WITH CONVENTIONAL OPEN STIRRUPS o/w 2 - 135 DEGREE HOOKS. HOOKS TO BE PLACED AT TOP OR BOTTOM OR SLAB.



LOCATION UNDERGROUND	APPROVED STRUCTURES	B.M. ELEV.	DESIGNED BY	KGW
SUPV. U/G STRUCTURES COMMITTEE	DATE		DRAWN BY	RCB
			CHECKED BY	KGW
			APPROVED BY	DPK
			HOR. SCALE	AS SHOWN
			VERTICAL	AS SHOWN
0	ISSUED FOR TENDER	10/13/2009	RCB	
NO.	REVISIONS	DATE	BY	DATE
				2009/06/24

RELEASER FOR CONSTRUCTION	DATE

ENGINEER'S SEAL	PROVINCE OF MANITOBA
ORIGINAL SIGNED BY:	K. G. WILLIS
10-13-2009	
REGISTERED PROFESSIONAL ENGINEER	
CONSULTANT PROJECT NO.	088813



THE CITY OF WINNIPEG TRANSIT DEPARTMENT	
SOUTHWEST RAPID TRANSIT CORRIDOR - STAGE 1 TRANSITWAY TUNNEL AT CN RIVERS SUBDIVISION MILEAGE 1.38 & ASSOCIATED WORKS	
CITY DRAWING NUMBER	U237-09-37
SHEET	37 OF 73
CONSULTANT DRAWING NUMBER	C4-S1114-T
STAGING JOINT DETAILS SHEET 1 OF 2	

G:\csc\088813\Contract\Contract_1\Current\C4-S1114-P.dwg