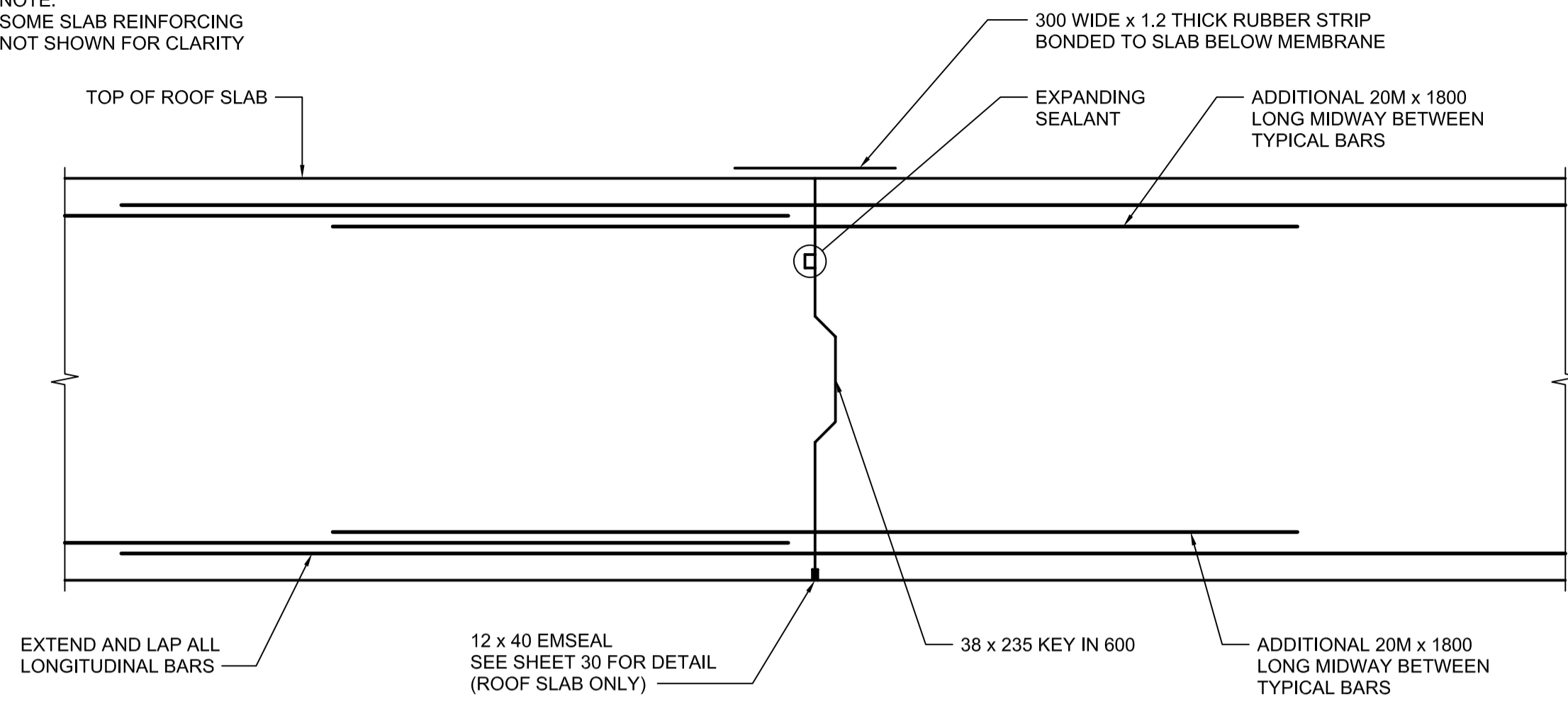
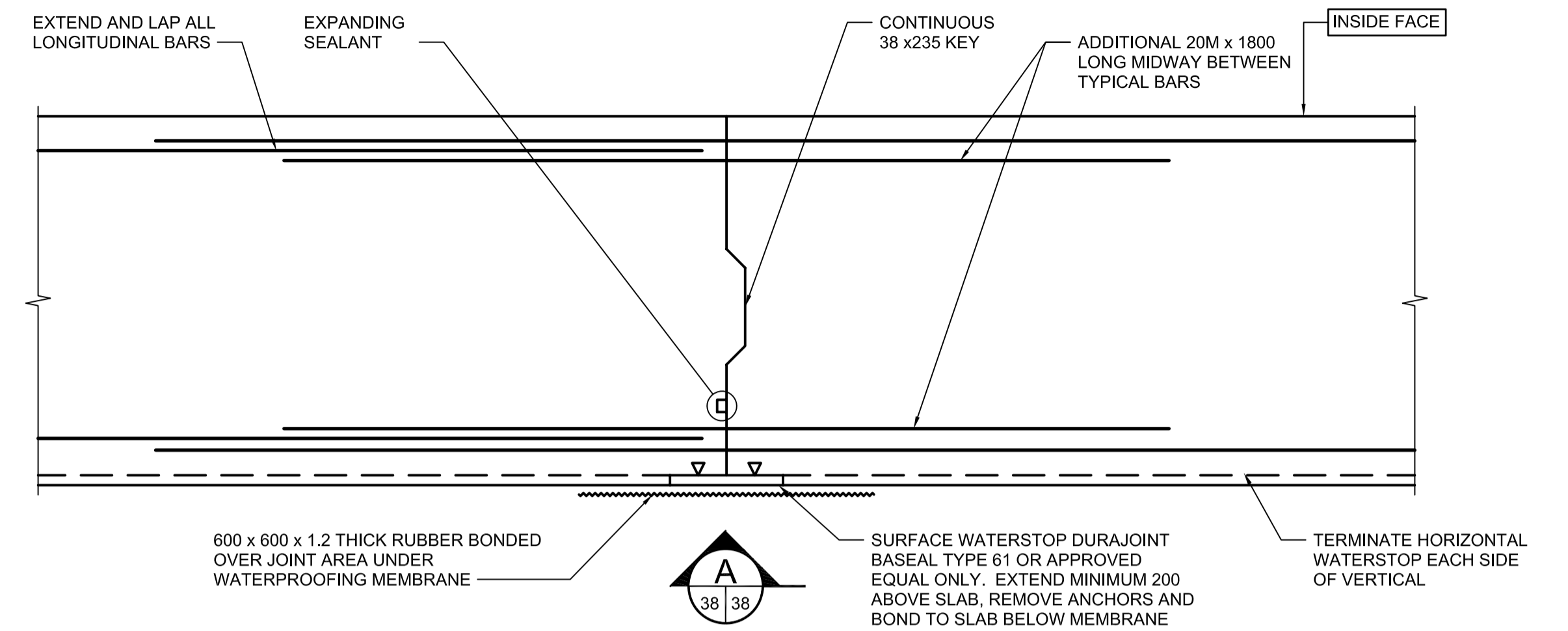


NOTE:  
SOME SLAB REINFORCING  
NOT SHOWN FOR CLARITY

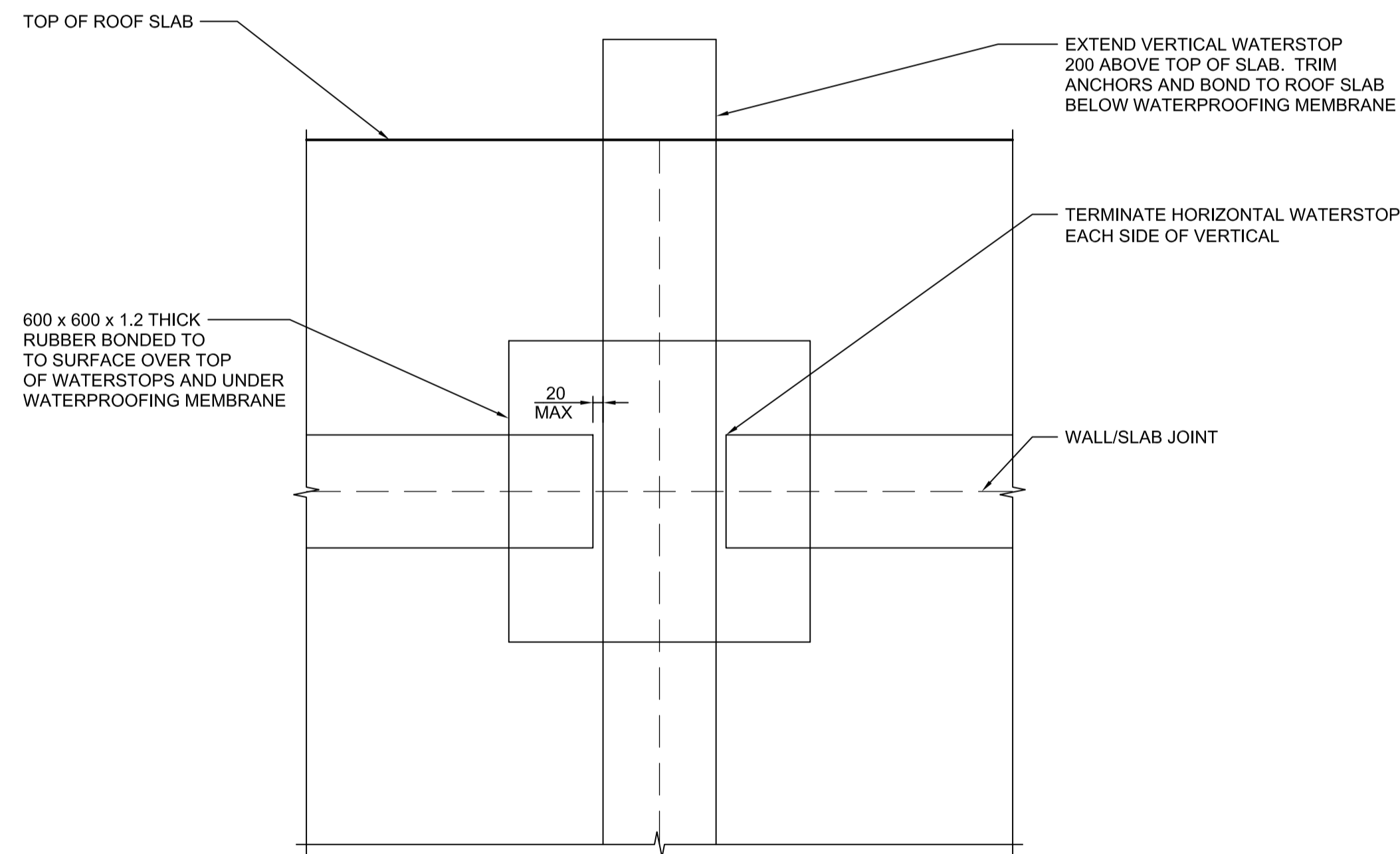


**TYPICAL SLAB CONSTRUCTION JOINT**  
SCALE 1:10

NOTE:  
SOME WALL REINFORCING  
NOT SHOWN FOR CLARITY



**TYPICAL WALL CONSTRUCTION JOINT**  
SCALE 1:10



**ELEVATION**  
SCALE 1:10

G:\csm\088813\Contract\Contract\_1\Current\C4-S1116-P.dwg



LOCATION UNDERGROUND SUPV. U/G STRUCTURES COMMITTEE DATE	APPROVED STRUCTURES DATE	B.M. ELEV.	DESIGNED BY: KGW DRAWN BY: RCB CHECKED BY: KGW APPROVED BY: DPK		ENGINEER'S SEAL 		SOUTHWEST RAPID TRANSIT CORRIDOR - STAGE 1 TRANSITWAY TUNNEL AT CN RIVERS SUBDIVISION MILEAGE 1.38 & ASSOCIATED WORKS	CITY DRAWING NUMBER U237-09-39 SHEET 39 OF 73
NOTE: LOCATION OF UNDERGROUND STRUCTURES AS SHOWN ARE BASED ON THE BEST INFORMATION AVAILABLE. BUT NO GUARANTEE IS GIVEN THAT ALL EXISTING UTILITIES ARE SHOWN OR THAT THE GIVEN LOCATIONS ARE EXACT. CONFIRMATION OF EXISTENCE AND EXACT LOCATION OF ALL SERVICES MUST BE OBTAINED FROM THE INDIVIDUAL UTILITIES BEFORE PROCEEDING WITH CONSTRUCTION.		NO. REVISIONS 0 ISSUED FOR TENDER 10/13/2009 RCB	HOR. SCALE AS SHOWN VERTICAL AS SHOWN	RELEASED FOR CONSTRUCTION DATE	CONSULTANT PROJECT NO. 088813	CONSTRUCTION JOINT DETAILS	CONSULTANT DRAWING NUMBER C4-S1116-T	