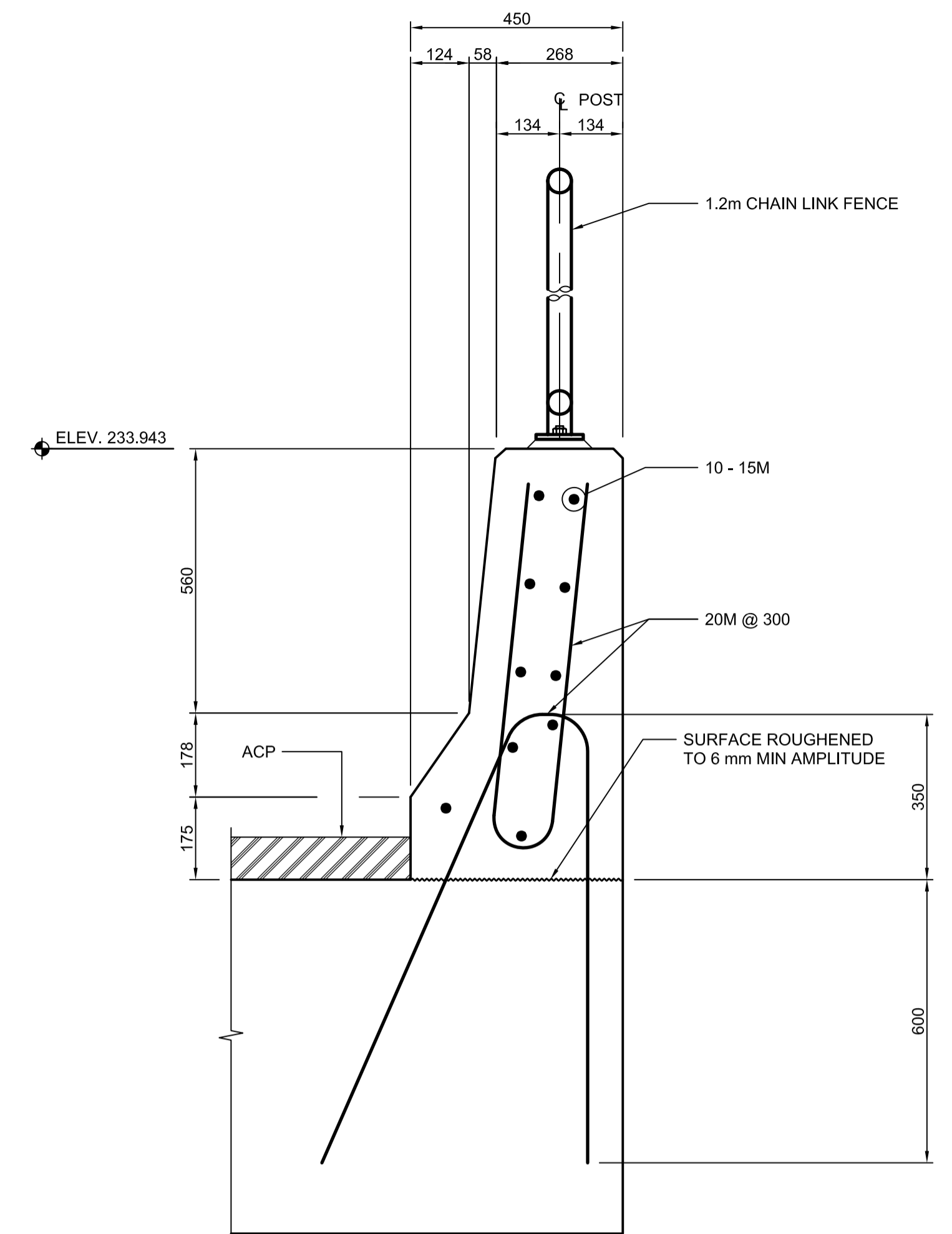
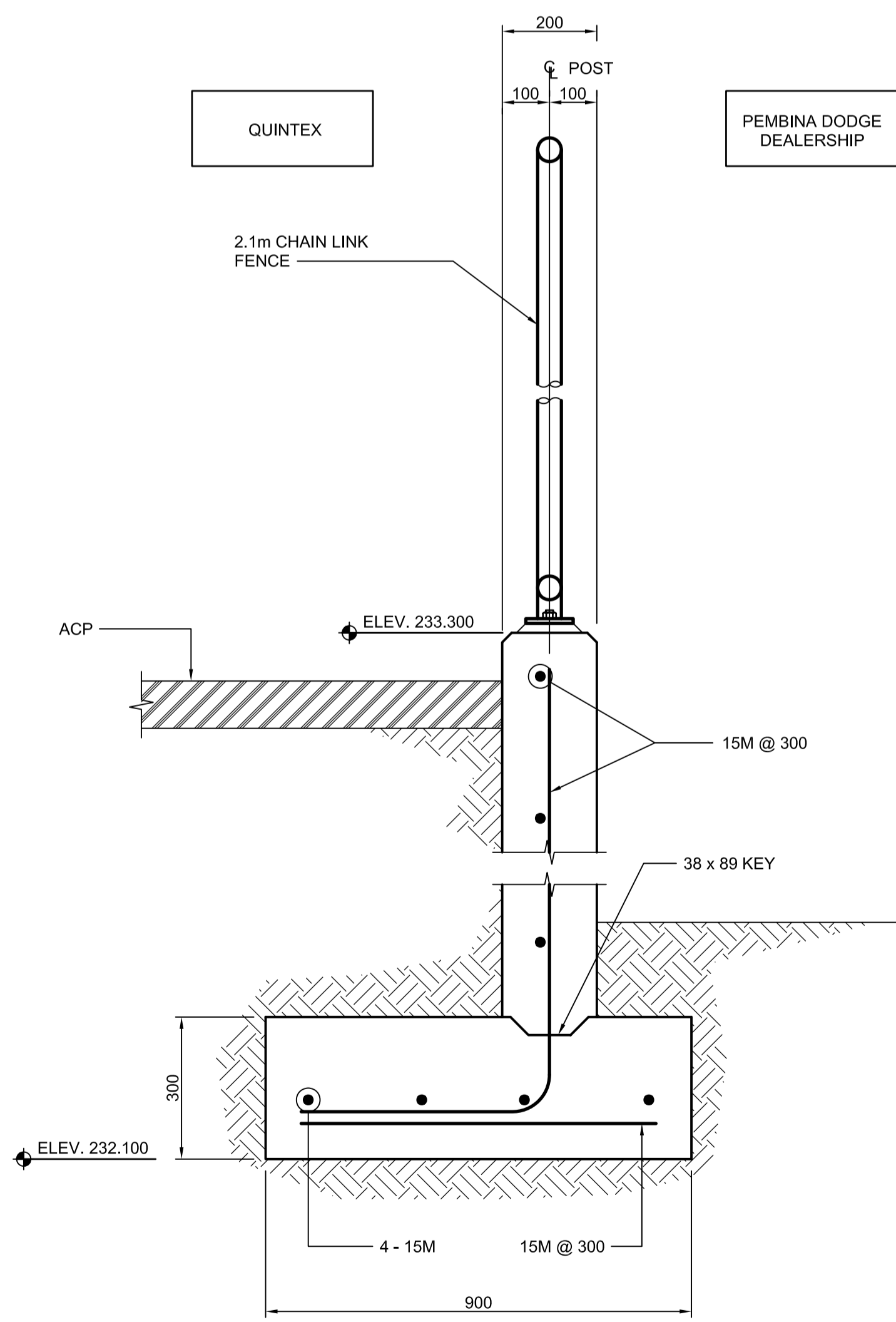


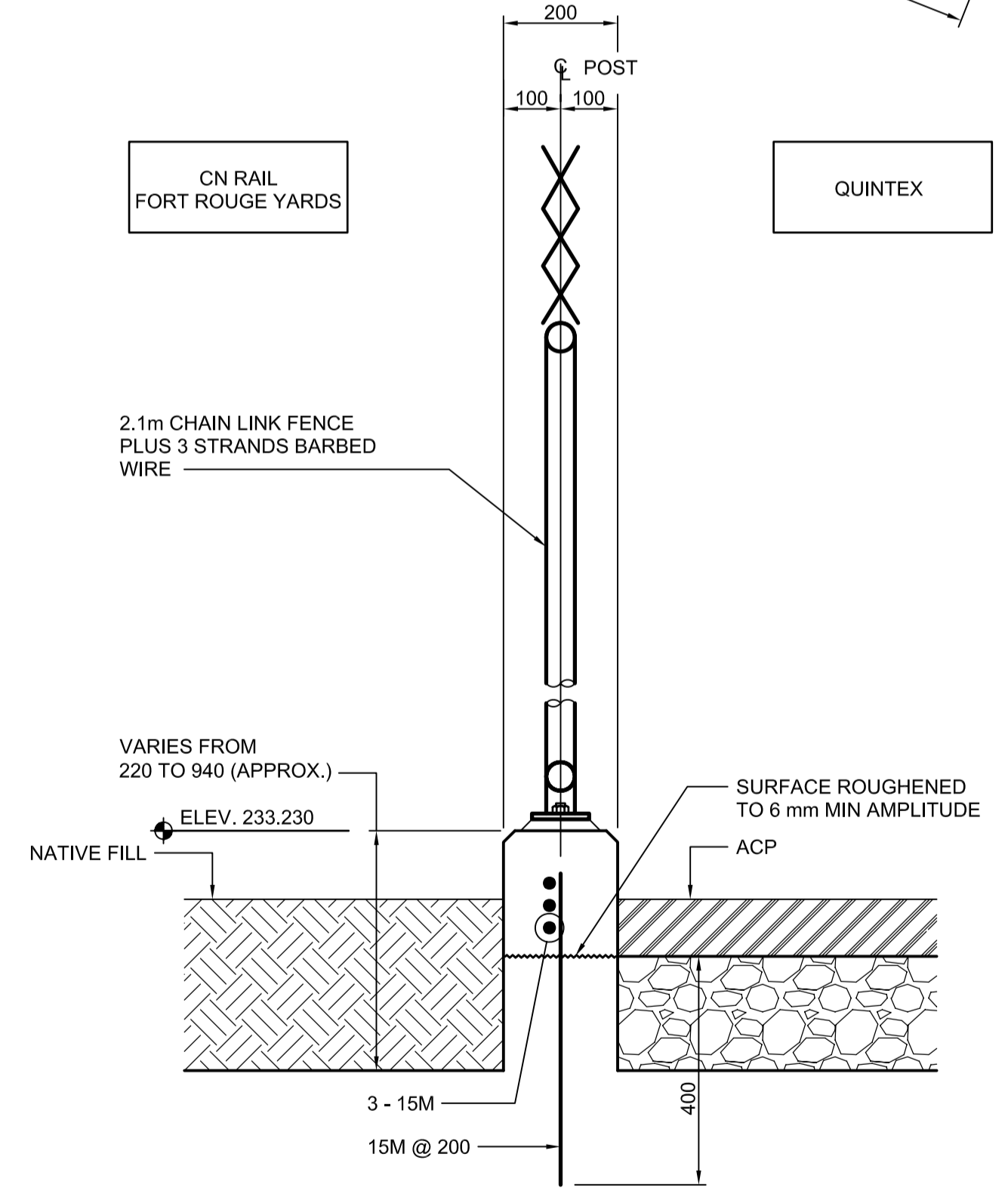
NORTH PORTAL AREA
SCALE 1:100



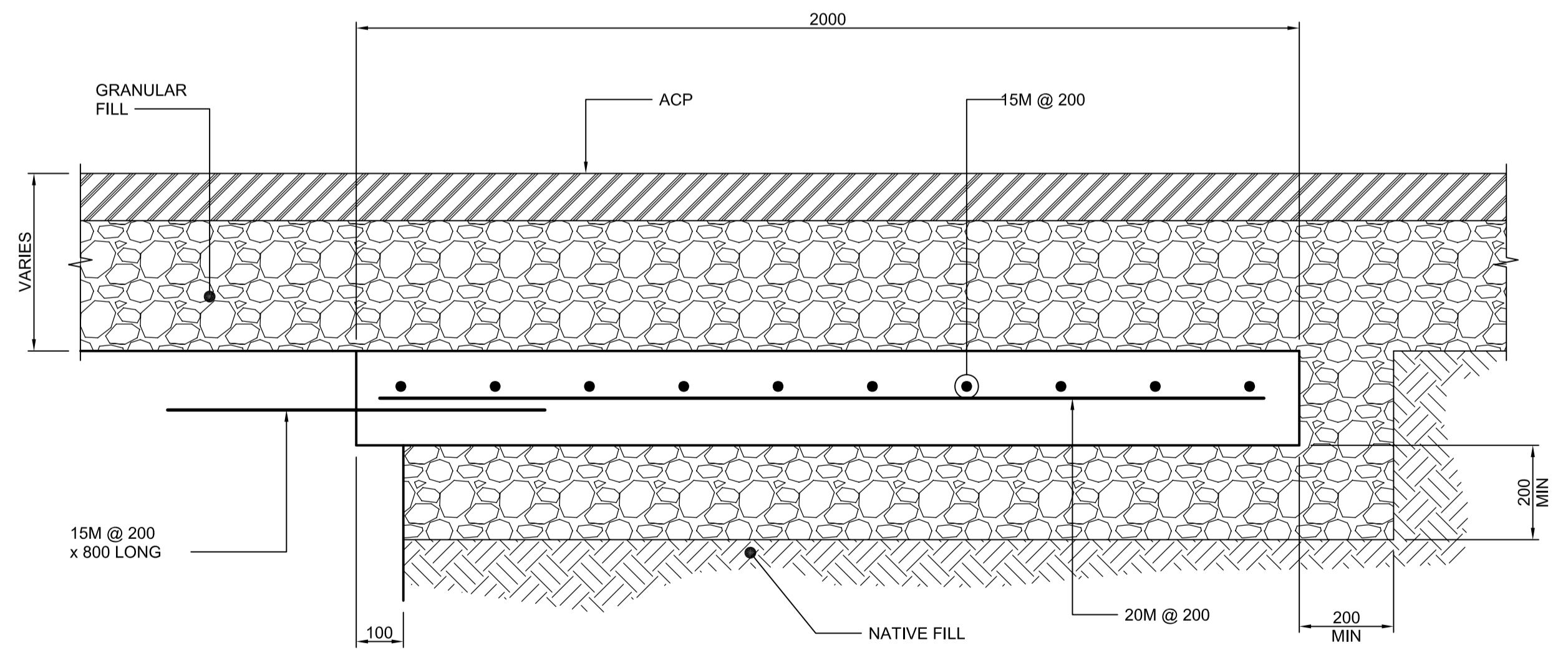
SECTION A
SCALE 1:10



SECTION B
SCALE 1:10



SECTION C
SCALE 1:10



SECTION D
SCALE 1:10

NOTE: PLACE SLAB IN SEPARATE SEGMENTS 2 - 3 m IN LENGTH (TOTAL LENGTH ~ 35 m)

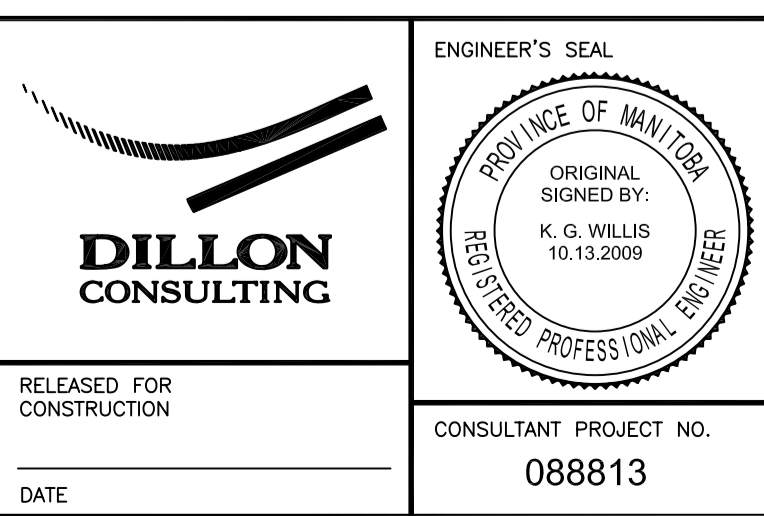
G:\cadd\088813\Contract\Contract_1\Current\C4-S1117-P.dwg



LOCATION UNDERGROUND	APPROVED STRUCTURES	B.M. ELEV.	DESIGNED BY	KGW
SUPV. U/G STRUCTURES COMMITTEE	DATE		DRAWN BY	RCB
NOTE:			CHECKED BY	KGW
LOCATION OF UNDERGROUND STRUCTURES AS SHOWN ARE BASED ON THE BEST INFORMATION AVAILABLE BUT NO GUARANTEE IS GIVEN THAT ALL EXISTING UTILITIES ARE SHOWN OR THAT THE GIVEN LOCATIONS ARE EXACT. CONFIRMATION OF EXISTENCE AND EXACT LOCATION OF ALL SERVICES MUST BE OBTAINED FROM THE INDIVIDUAL UTILITIES BEFORE PROCEEDING WITH CONSTRUCTION.			APPROVED BY	DPK
0	ISSUED FOR TENDER	10/13/2009	HOR. SCALE	AS SHOWN
			VERTICAL	AS SHOWN
NO.	REVISIONS	DATE	BY	DATE
				2009/06/24

RELEASED FOR CONSTRUCTION	DATE

CONSULTANT PROJECT NO.	088813
------------------------	--------



THE CITY OF WINNIPEG TRANSIT DEPARTMENT

Winnipeg

SOUTHWEST RAPID TRANSIT CORRIDOR - STAGE 1
TRANSITWAY TUNNEL AT CN RIVERS SUBDIVISION
MILEAGE 1.38 & ASSOCIATED WORKS

CITY DRAWING NUMBER: U237-09-40
SHEET 40 OF 73
CONSULTANT DRAWING NUMBER: C4-S1117-T

NORTH PORTAL AREA DETAILS