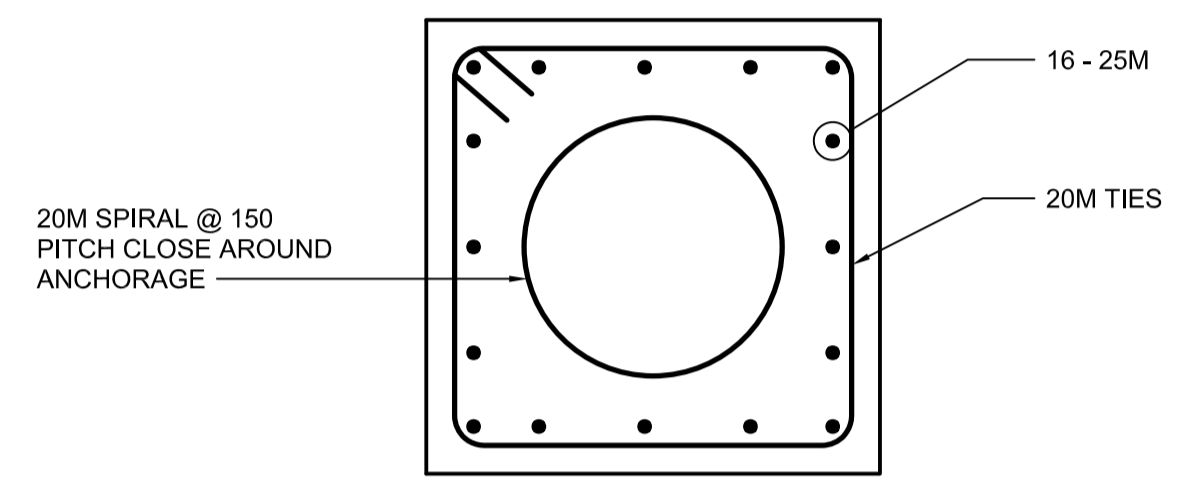
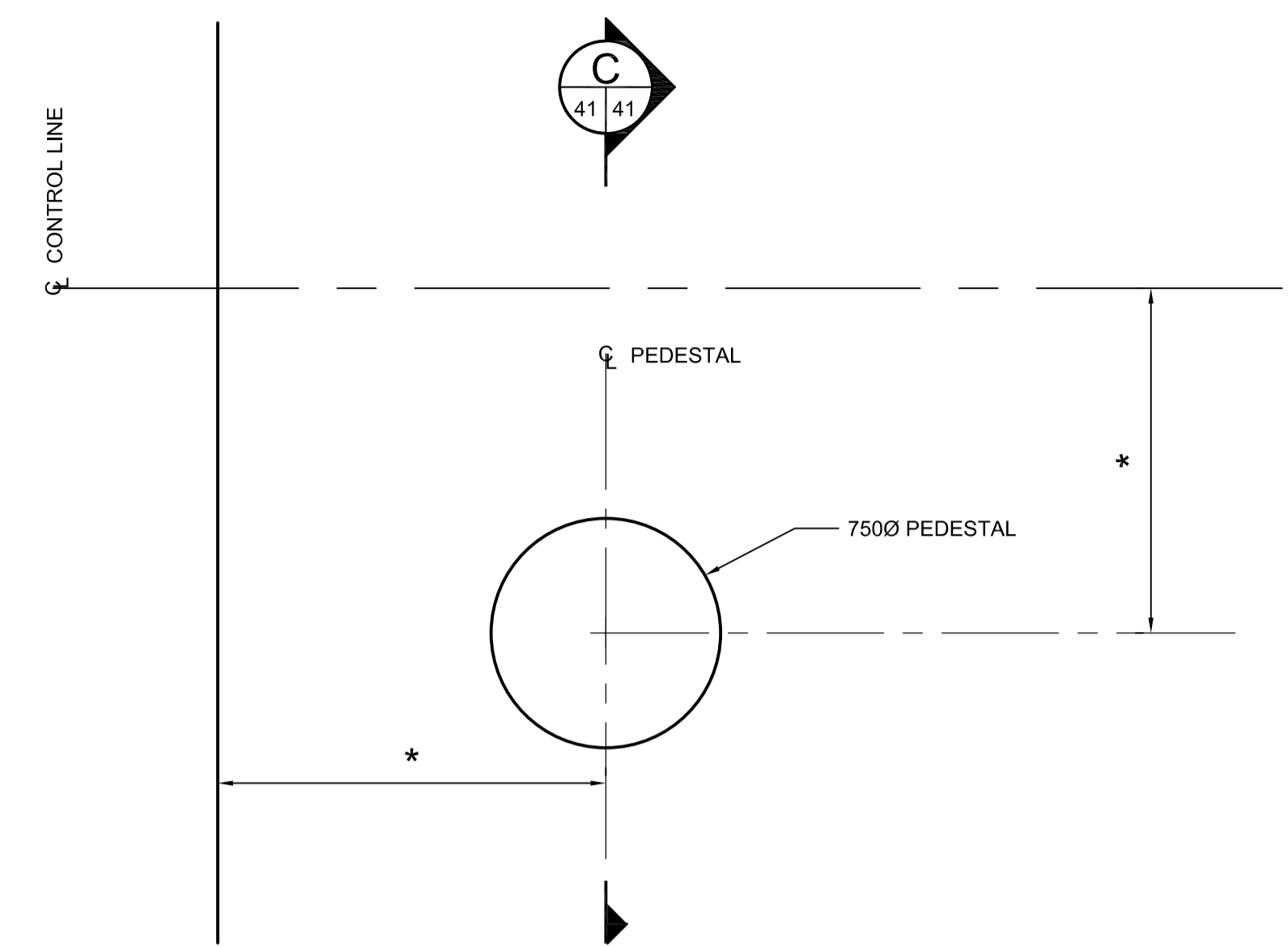


**DETAIL 1**  
SCALE 1:20

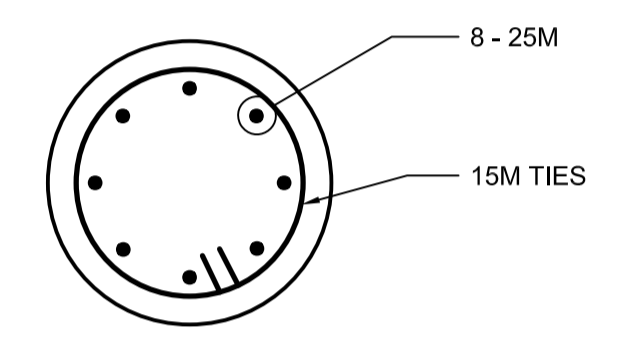
\* FIELD LOCATE TO SUIT EXISTING LIGHTING



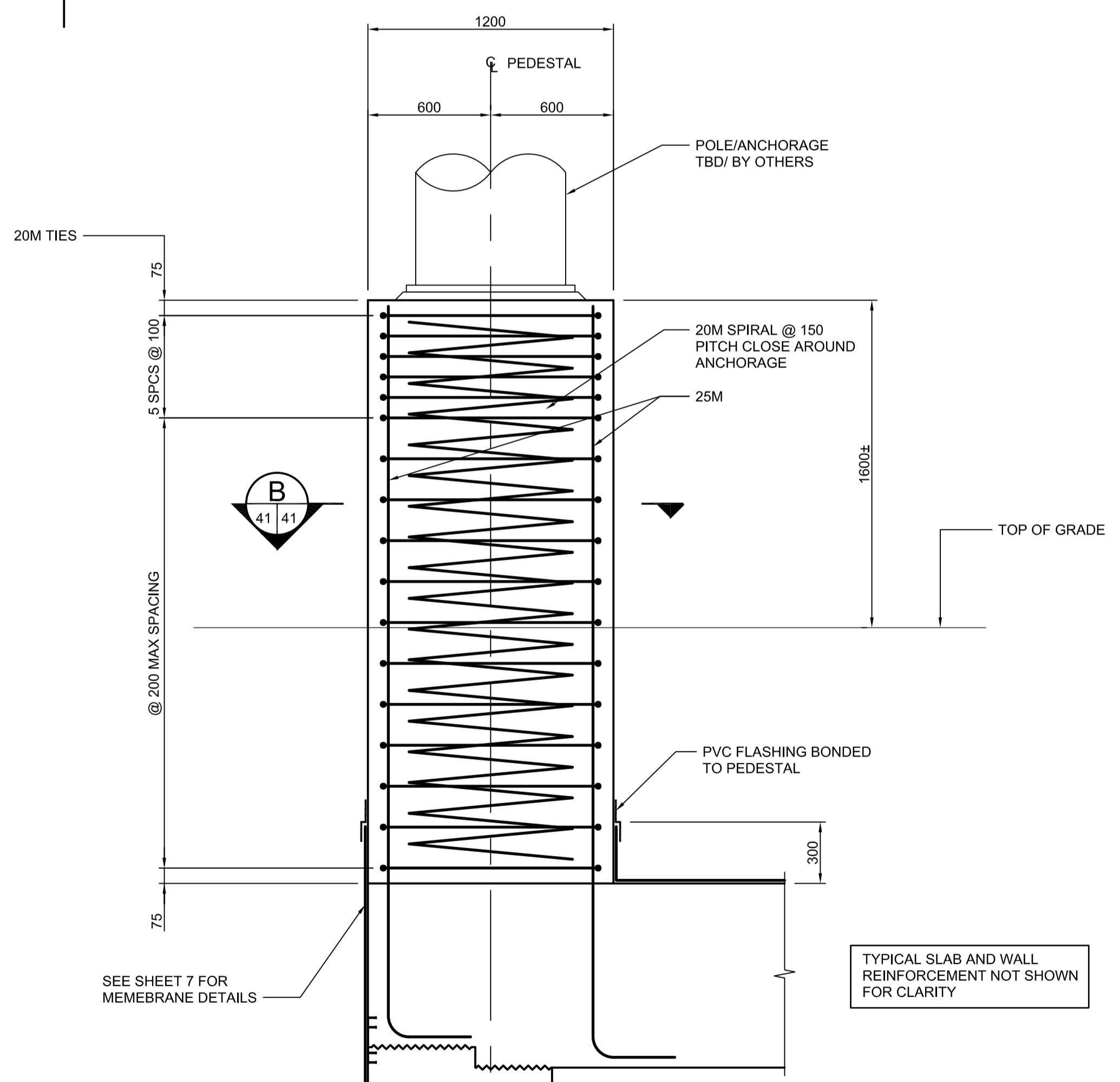
**SECTION B**  
SCALE 1:20



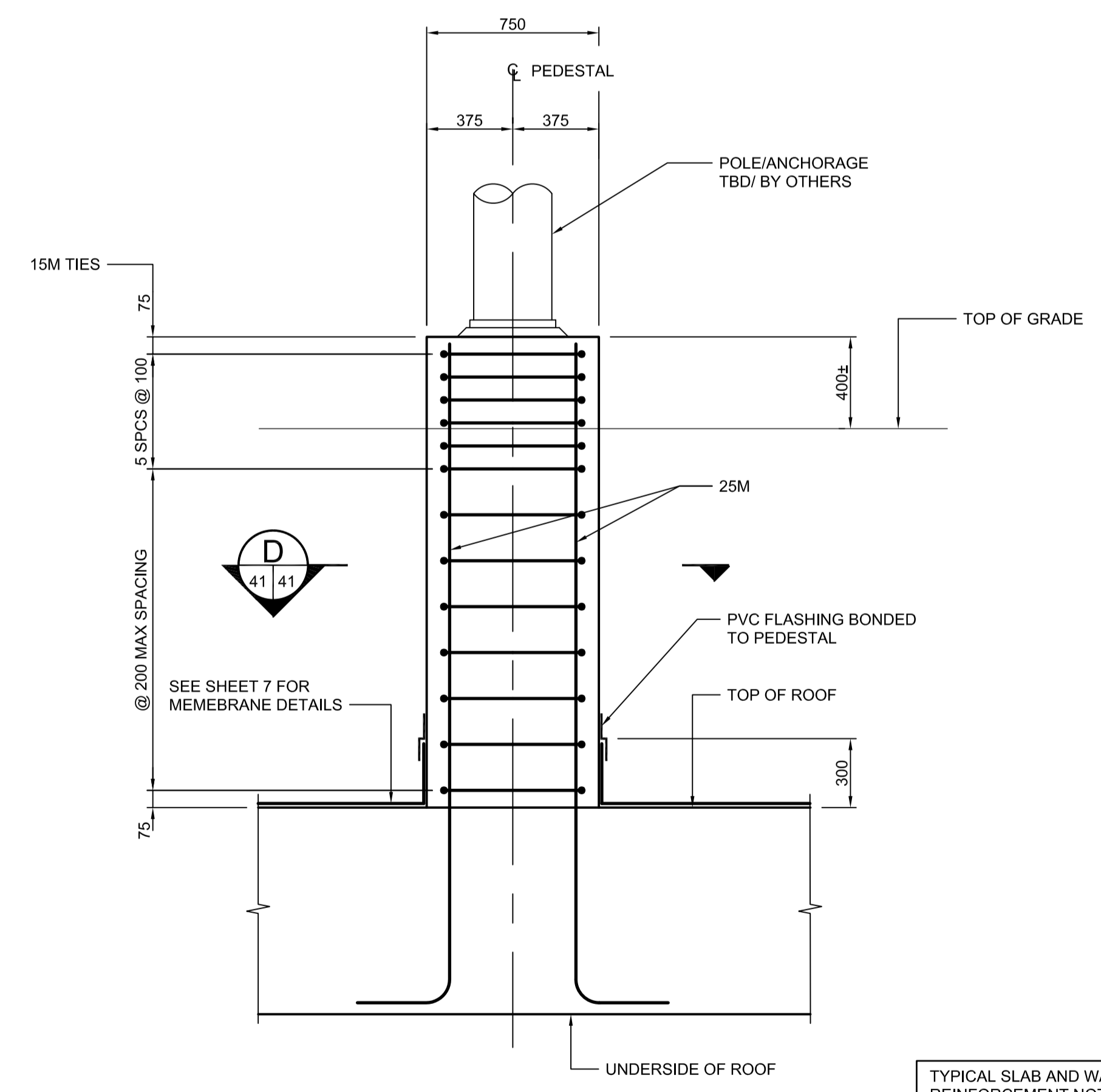
**DETAIL 2**  
SCALE 1:20



**SECTION D**  
SCALE 1:20



**SECTION A**  
SCALE 1:20



**SECTION C**  
SCALE 1:20

G:\csm\088813\Contract\Contract\_1\Current\C4-S1119-P.dwg

LOCATION UNDERGROUND	APPROVED STRUCTURES	B.M. ELEV.
SUPV. U/G STRUCTURES COMMITTEE	DATE	
NOTE: LOCATION OF UNDERGROUND STRUCTURES AS SHOWN ARE BASED ON THE BEST INFORMATION AVAILABLE BUT NO GUARANTEE IS GIVEN THAT ALL EXISTING UTILITIES ARE SHOWN OR THAT THE GIVEN LOCATIONS ARE EXACT. CONFIRMATION OF EXISTENCE AND EXACT LOCATION OF ALL SERVICES MUST BE OBTAINED FROM THE INDIVIDUAL UTILITIES BEFORE PROCEEDING WITH CONSTRUCTION.		
NO.	REVISIONS	DATE BY
0	ISSUED FOR TENDER	10/13/2009 RCB

**APEGM**  
Certificate of Authorization  
**Dillon Consulting Limited (MB)**  
No. 1789 Date: OCTOBER 13, 2009

DESIGNED BY	KGW
DRAWN BY	RCB
CHECKED BY	KGW
APPROVED BY	DPK
HOR. SCALE	AS SHOWN
VERTICAL SCALE	AS SHOWN
DATE	2009/06/24

**DILLON CONSULTING**  
RELEASED FOR CONSTRUCTION

ENGINEER'S SEAL  
PROVINCE OF MANITOBA  
ORIGINAL SIGNED BY:  
K. G. WILLIS  
10-13-2009  
REGISTERED PROFESSIONAL ENGINEER

**THE CITY OF WINNIPEG**  
TRANSIT DEPARTMENT  
SOUTHWEST RAPID TRANSIT CORRIDOR - STAGE 1  
TRANSITWAY TUNNEL AT CN RIVERS SUBDIVISION  
MILEAGE 1.38 & ASSOCIATED WORKS  
SOUTH PORTAL LIGHT PEDESTAL DETAILS

CITY DRAWING NUMBER: U237-09-42  
SHEET 42 OF 73  
CONSULTANT DRAWING NUMBER: C4-S1119-T