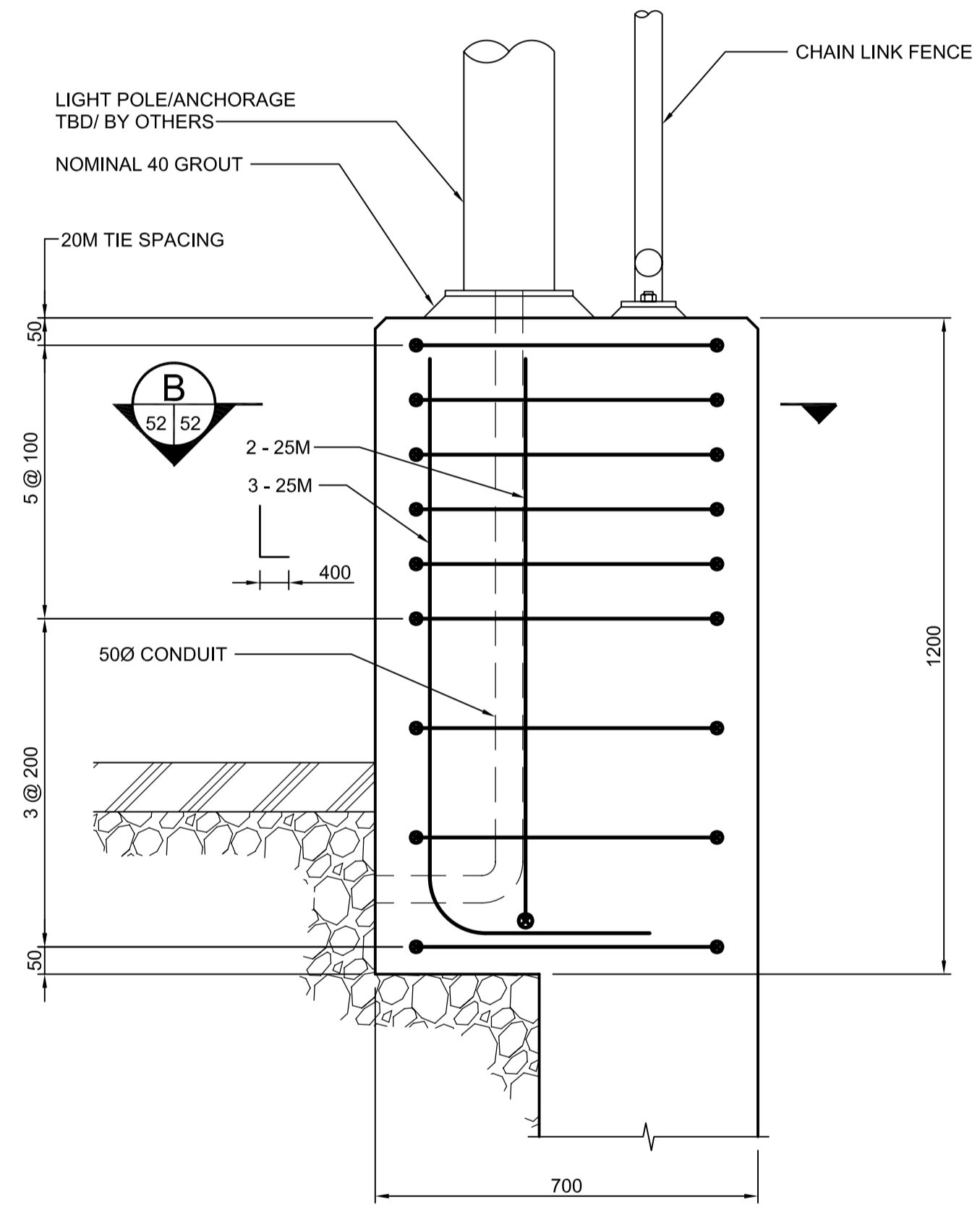
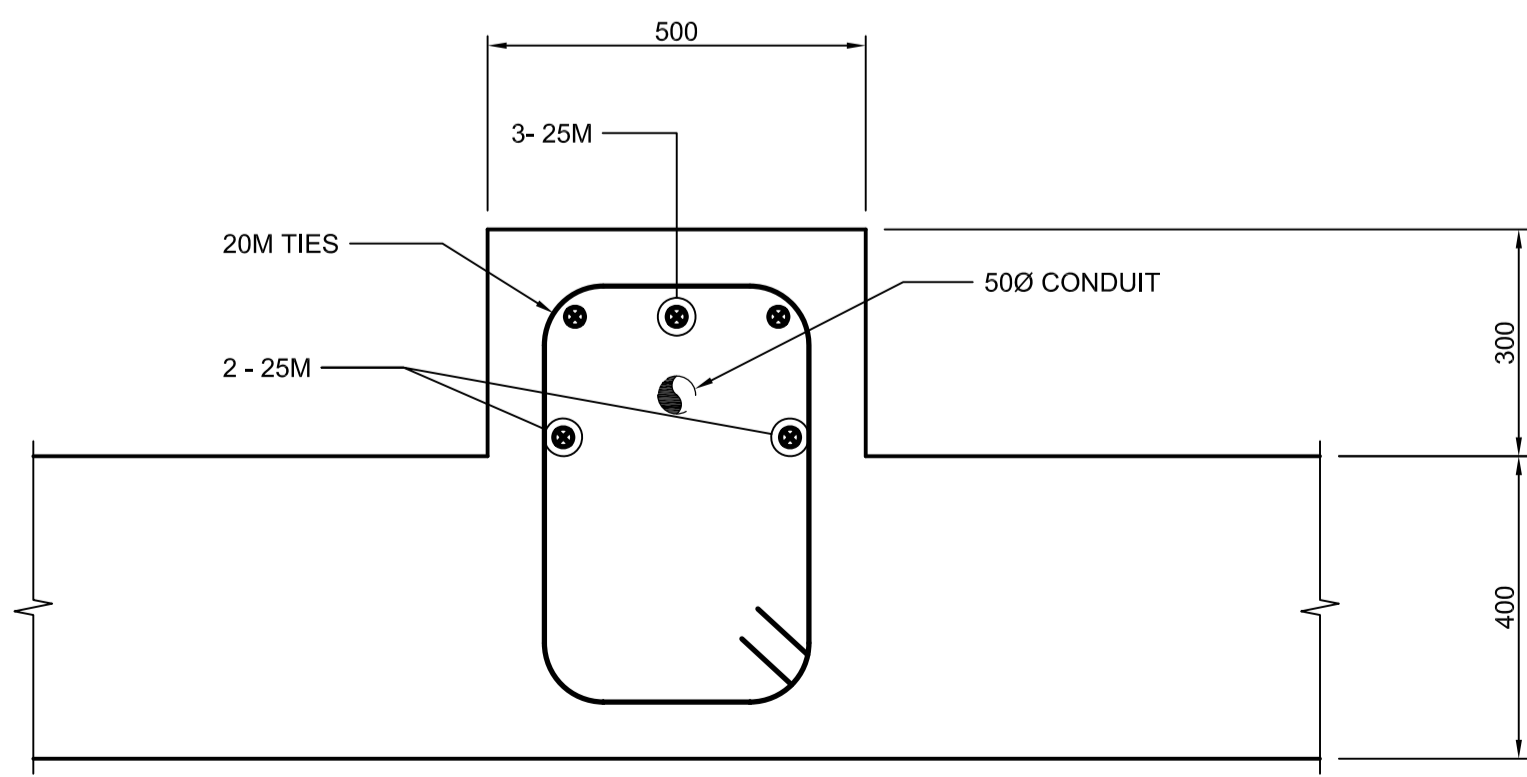


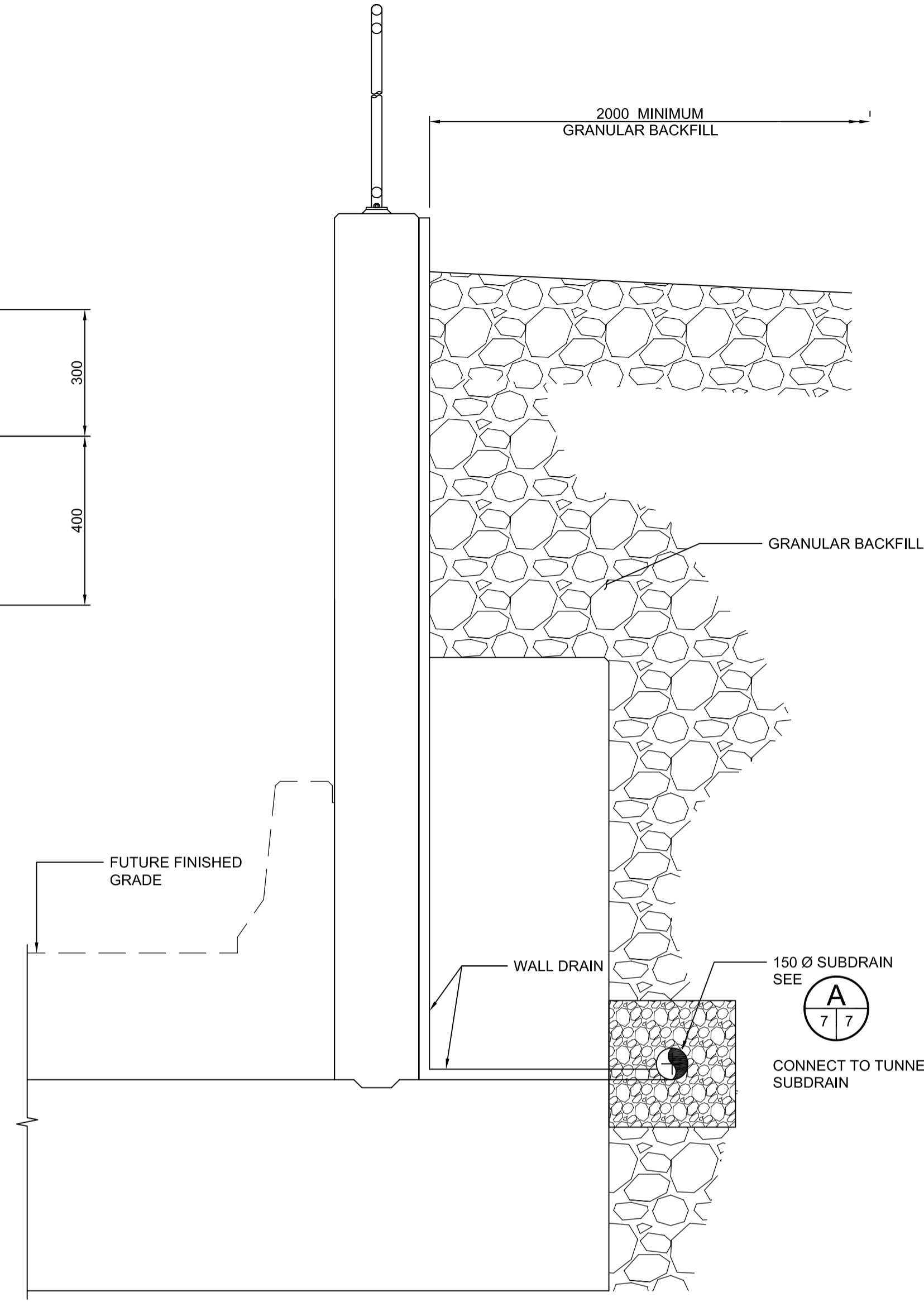
NORTHWEST WALL LIGHT POLE WIDENING
SCALE 1:10



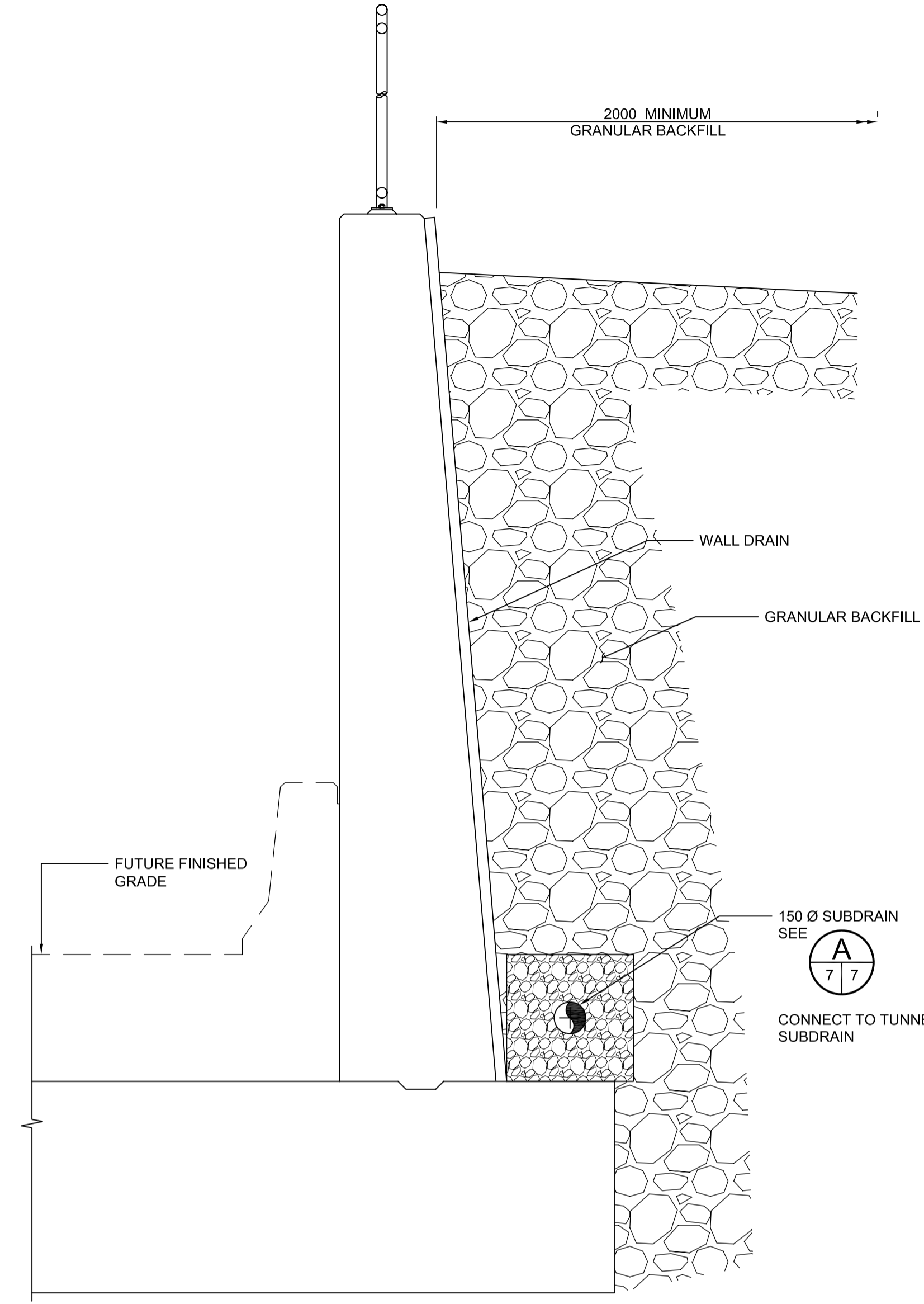
SECTION A
SCALE 1:10



SECTION B
SCALE 1:10

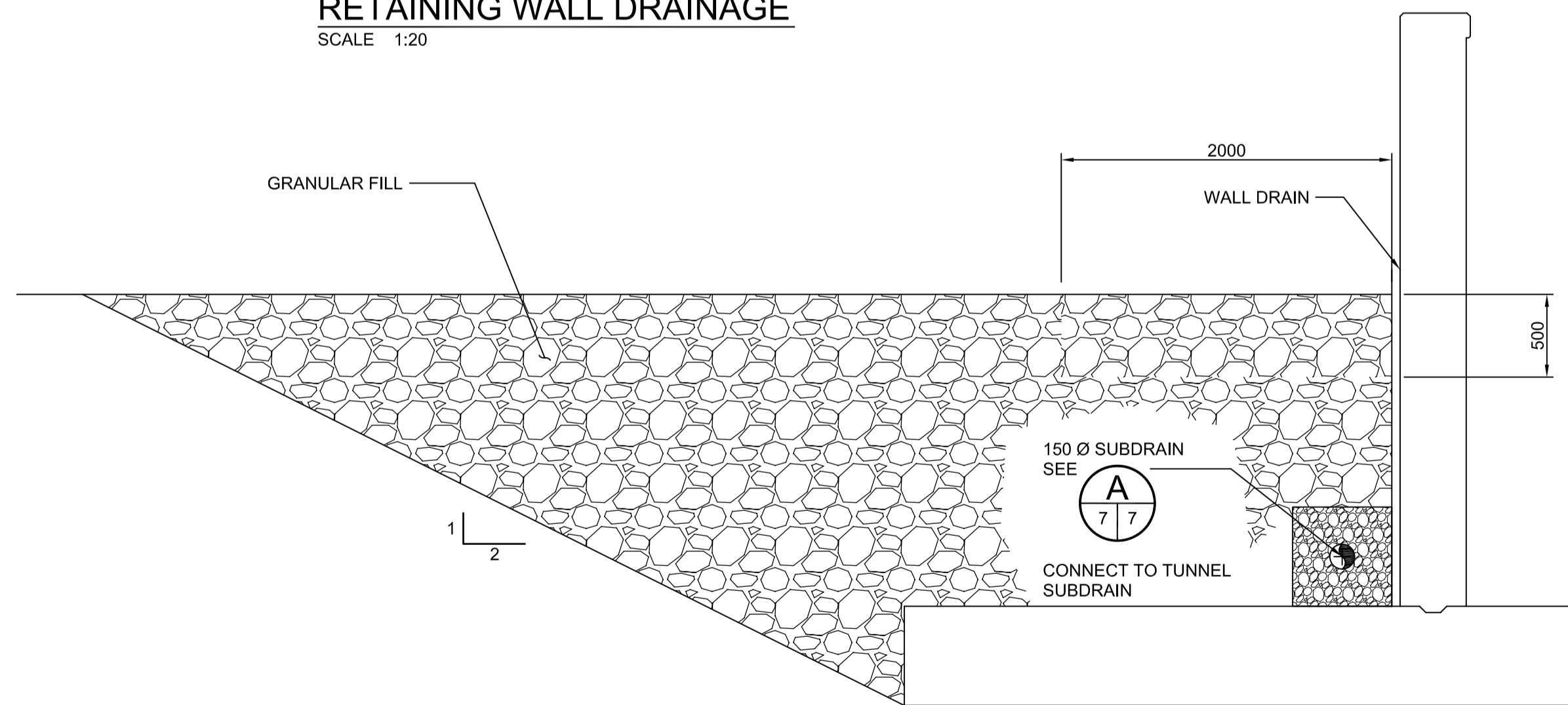


COUNTERFORT WALL OPTION

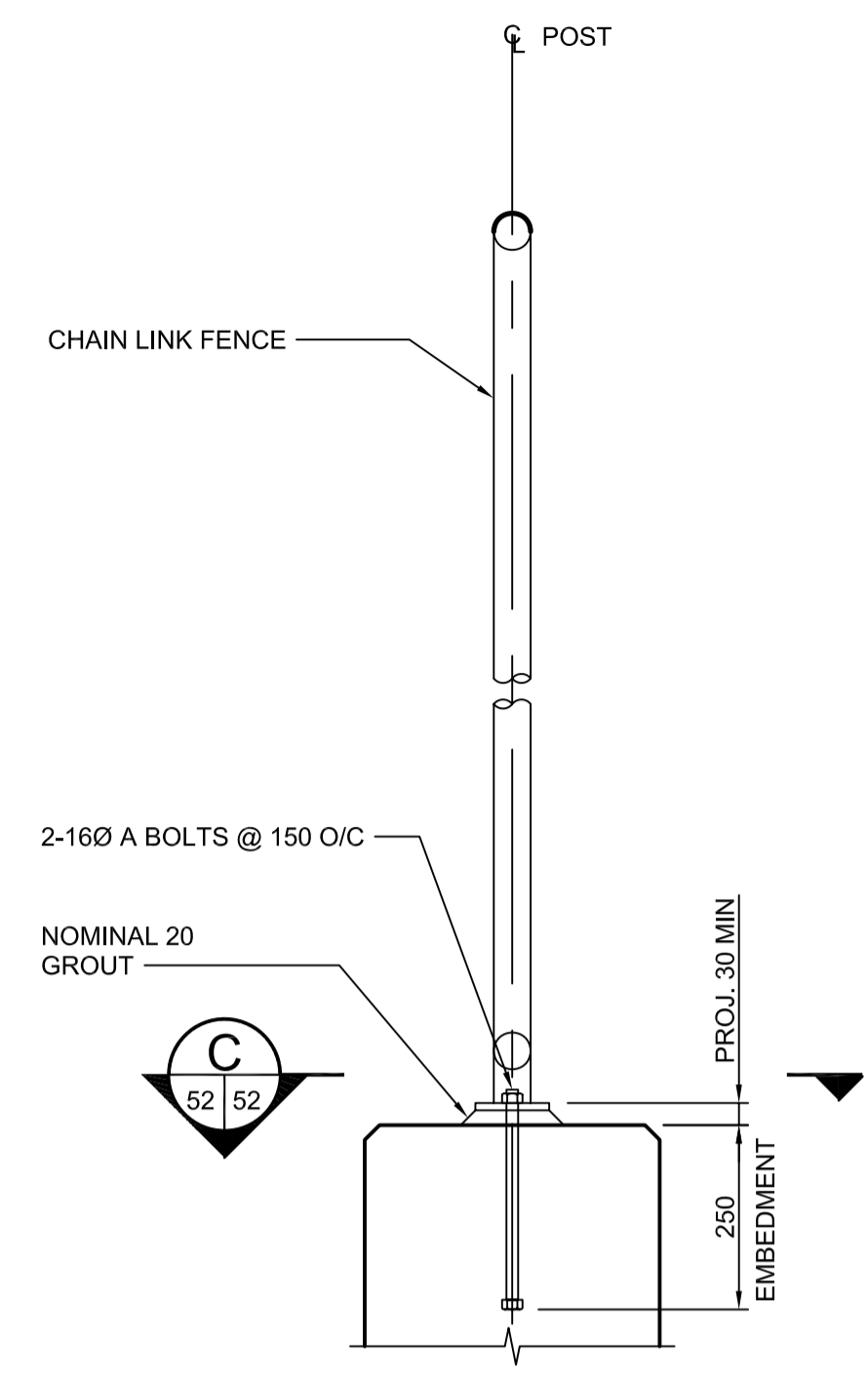


TAPERED WALL OPTION

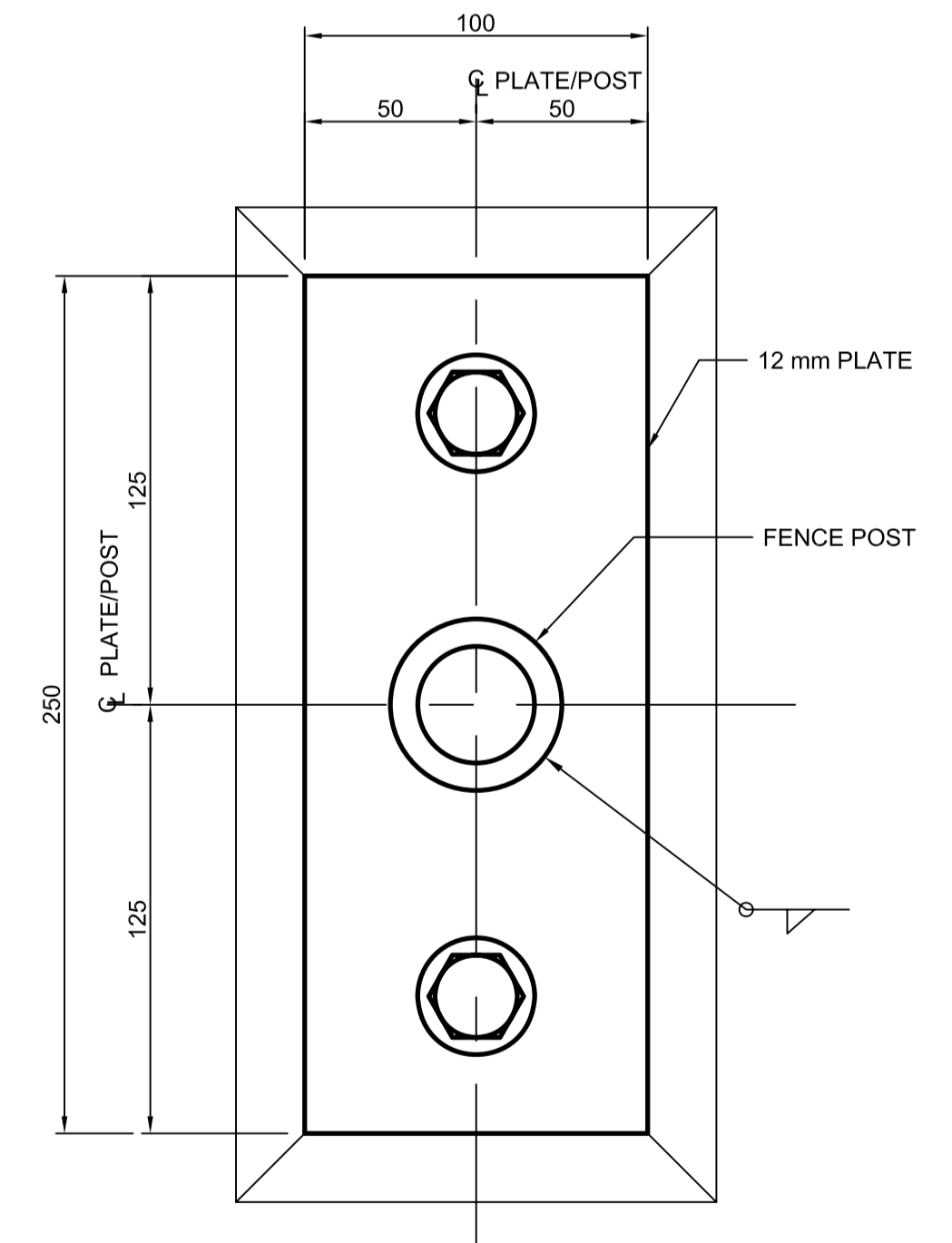
RETAINING WALL DRAINAGE
SCALE 1:20



GRAVITY WALL DRAINAGE
SCALE 1:30



FENCING DETAIL
SCALE 1:10



SECTION C
SCALE 1:2

| | | | | | | | | | |
|---|--|--|---|----------------------------------|--|--------------------------------------|---|--|--|
| <p>Certificate of Authorization Dillon Consulting Limited (MB) No. 1789 Date: OCTOBER 13, 2009</p> | <p>LOCATION UNDERGROUND APPROVED STRUCTURES</p> <p>SUPV. U/G STRUCTURES COMMITTEE DATE</p> | <p>B.M. ELEV.</p> | <p>DESIGNED BY KGW</p> <p>DRAWN BY RCB</p> <p>CHECKED BY KGW</p> <p>APPROVED BY DPK</p> | <p>RELEASED FOR CONSTRUCTION</p> | | <p>CONSULTANT PROJECT NO. 088813</p> | <p>THE CITY OF WINNIPEG TRANSIT DEPARTMENT</p> | <p>SOUTHWEST RAPID TRANSIT CORRIDOR - STAGE 1 TRANSITWAY TUNNEL AT CN RIVERS SUBDIVISION MILEAGE 1.38 & ASSOCIATED WORKS</p> | <p>CITY DRAWING NUMBER U237-09-53 SHEET 53 OF 73</p> |
| | <p>NOTE: LOCATION OF UNDERGROUND STRUCTURES AS SHOWN ARE BASED ON THE BEST INFORMATION AVAILABLE BUT NO GUARANTEE IS GIVEN THAT ALL EXISTING UTILITIES ARE SHOWN OR THAT THE GIVEN LOCATIONS ARE EXACT. CONFIRMATION OF EXISTENCE AND EXACT LOCATION OF ALL SERVICES MUST BE OBTAINED FROM THE INDIVIDUAL UTILITIES BEFORE PROCEEDING WITH CONSTRUCTION.</p> | <p>0 ISSUED FOR TENDER 10/13/2009 RCB</p> <p>NO. REVISIONS DATE BY</p> | <p>HOR. SCALE AS SHOWN</p> <p>VERTICAL AS SHOWN</p> <p>DATE 2009/06/24</p> | | | | | <p>DATE</p> | <p>MISCELLANEOUS WALL DETAILS</p> |

G:\csc\088813\Contract\Contract_1\Current\C4-S1130-P.dwg