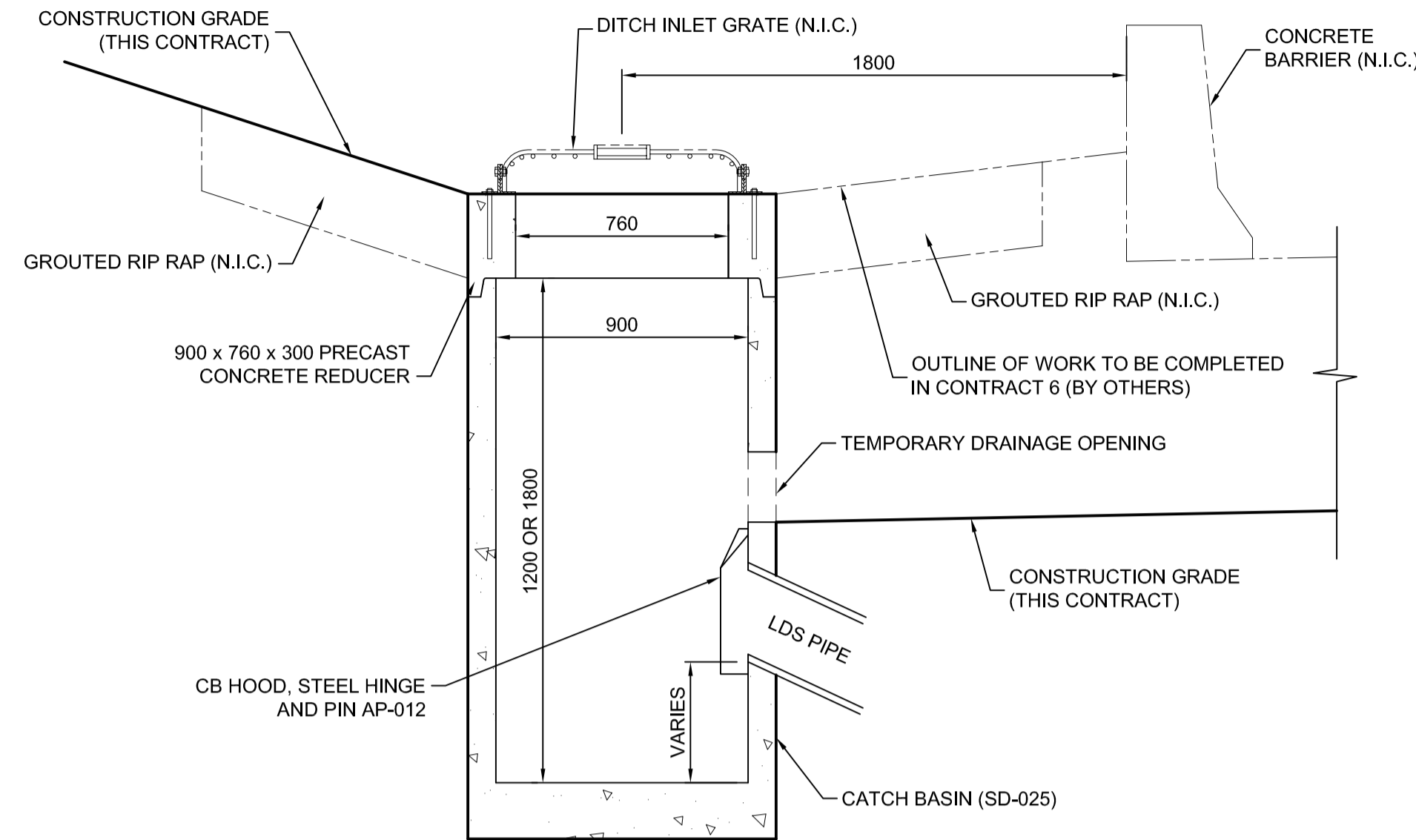
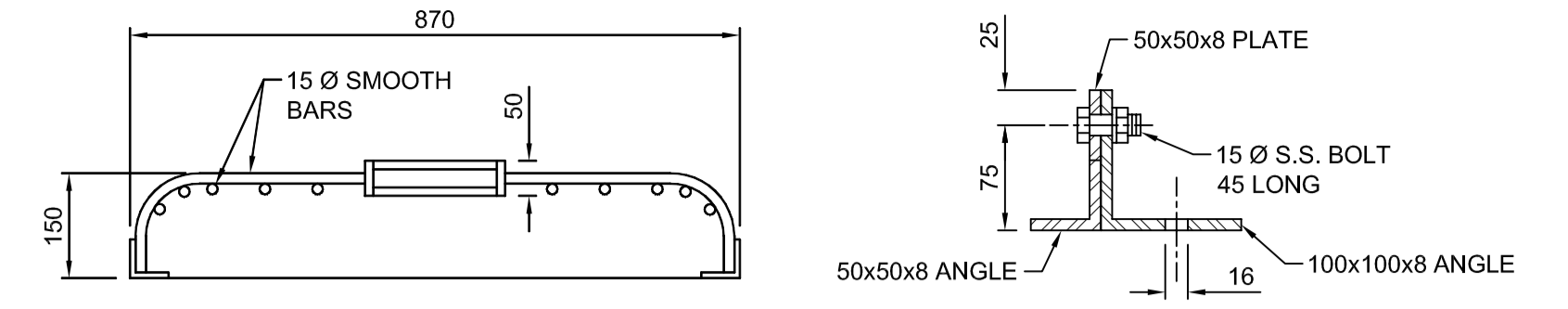


1 CATCH BASIN DETAIL
SCALE 1:20

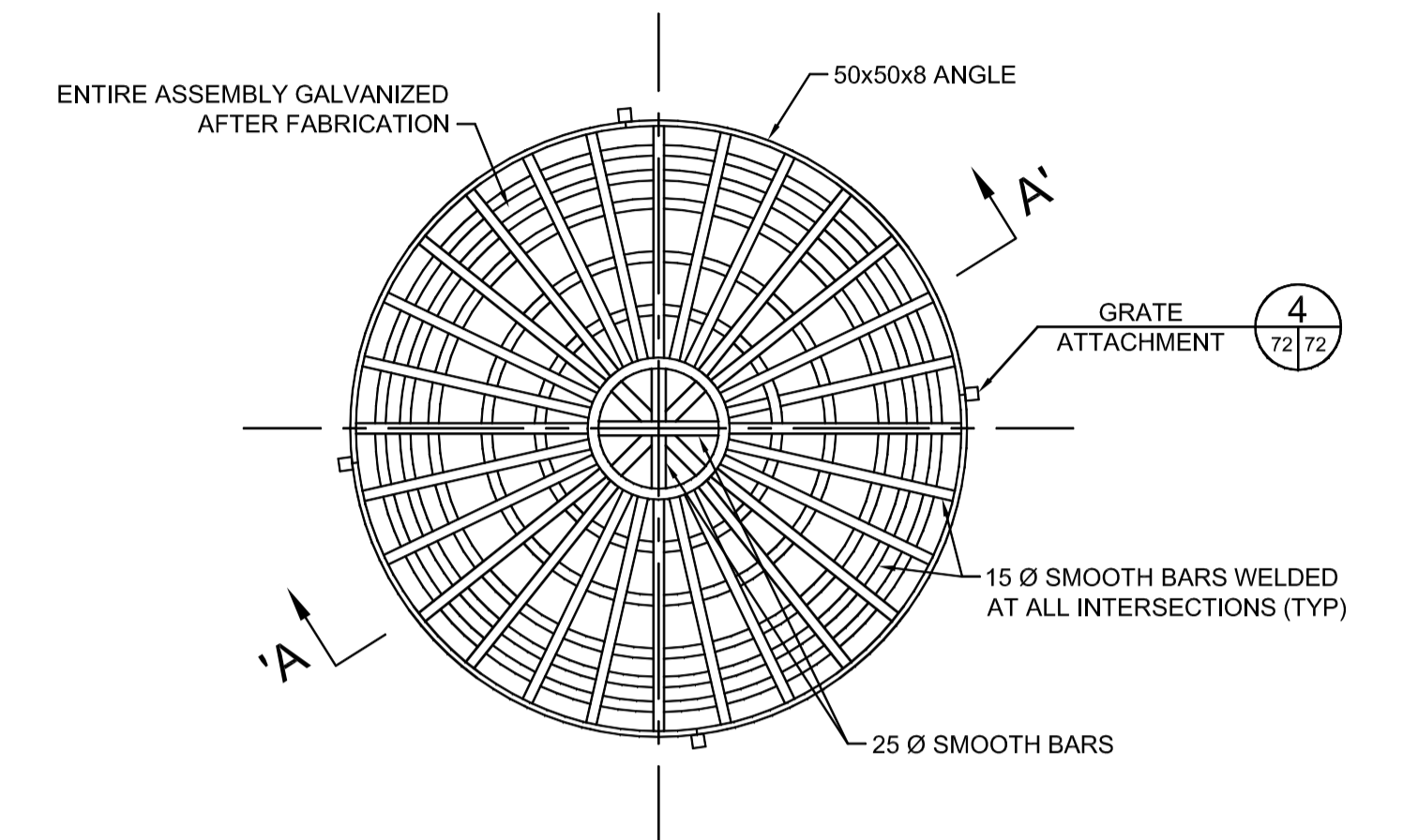


2 CATCH BASIN DETAIL
SCALE 1:20

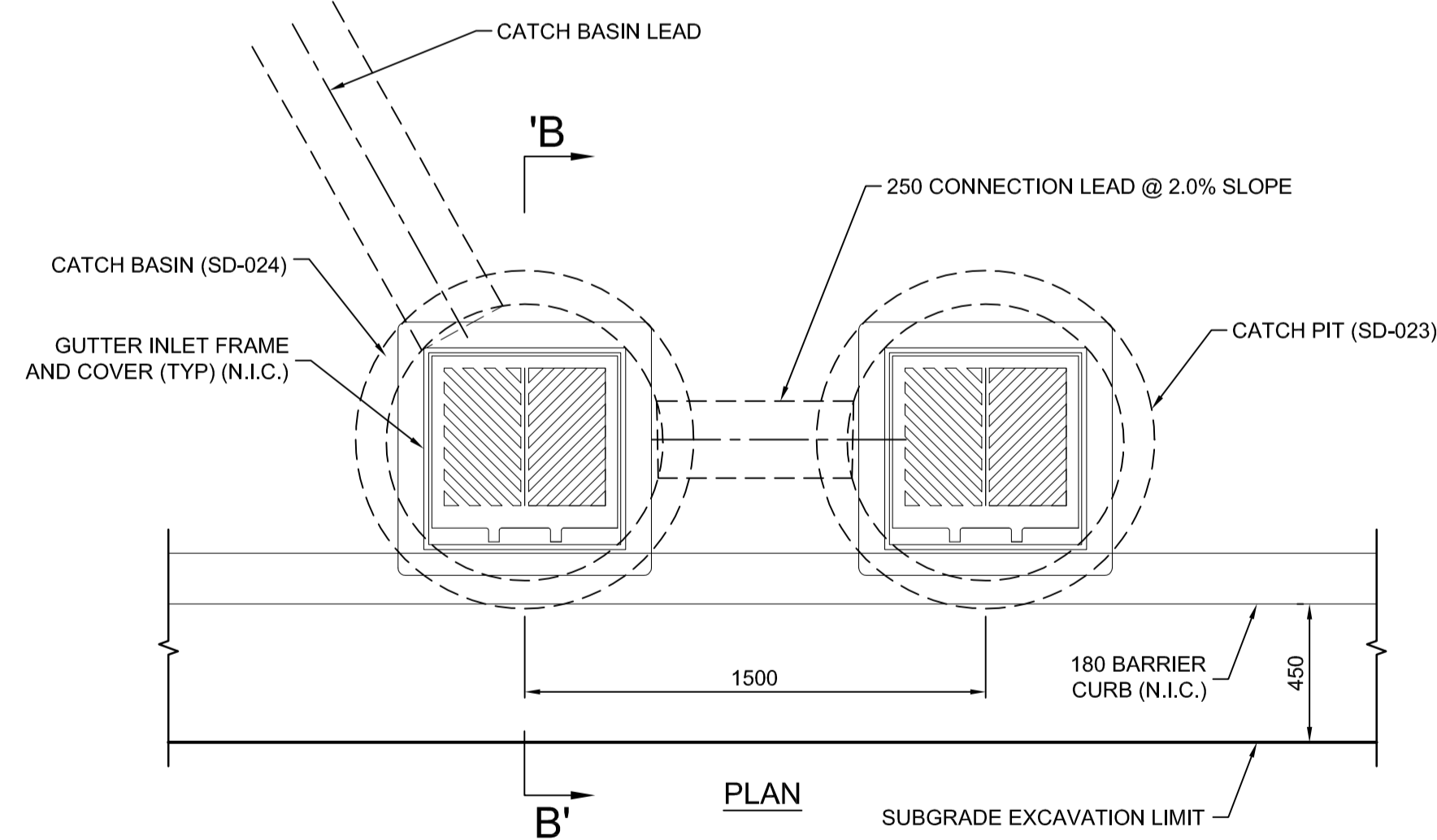


SECTION 'A-A'
SCALE 1:10

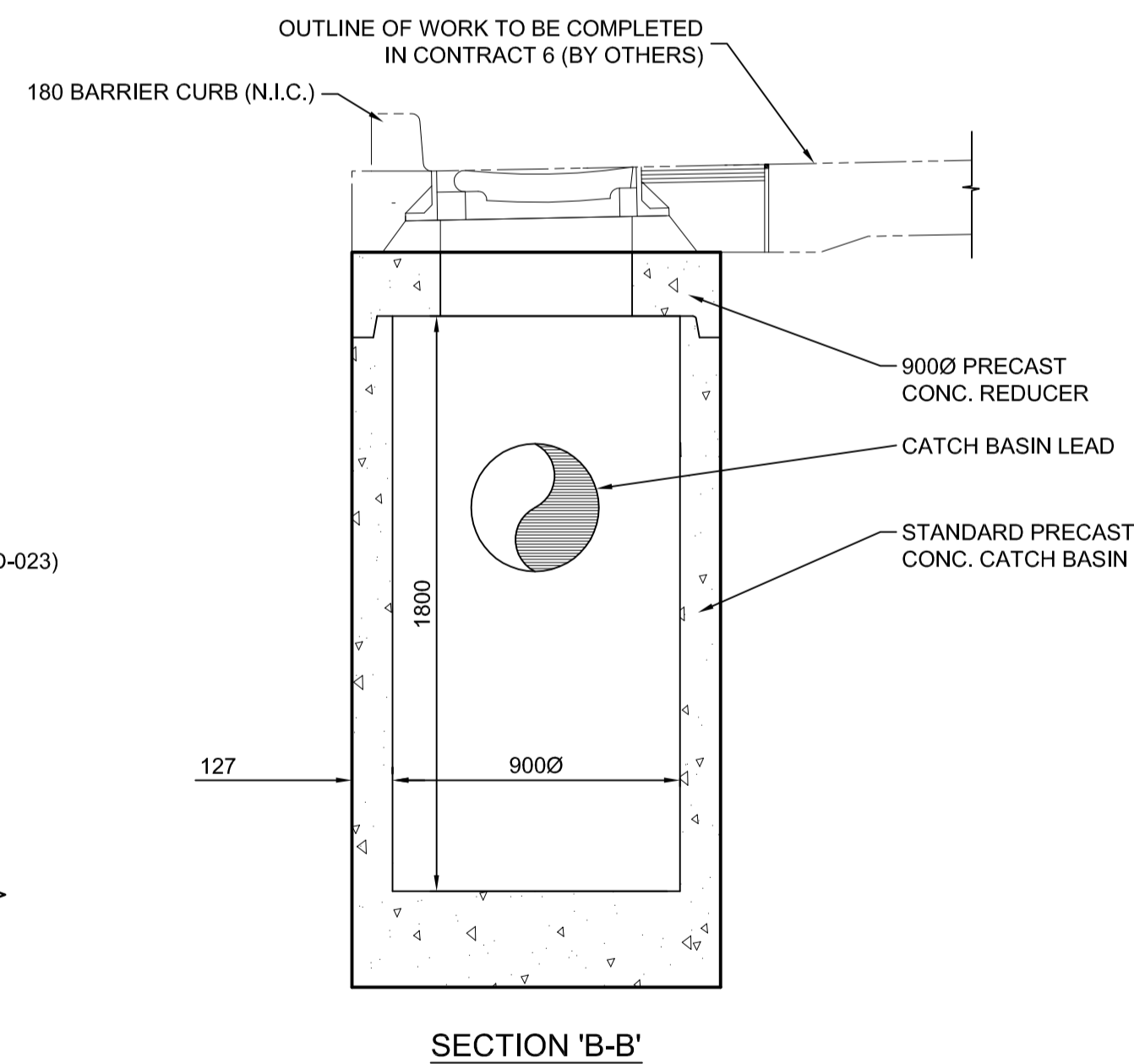
4 DETAIL
SCALE 1:5



3 DITCH INLET GRATE
SCALE 1:10



5 DUAL INLET WITH LEADS - DETAIL
SCALE 1:20



SECTION 'B-B'

METRIC

WHOLE NUMBERS INDICATE MILLIMETRES
DECIMALIZED NUMBERS INDICATE METRES.

LOCATION UNDERGROUND	APPROVED STRUCTURES	B.M. ELEV.	DESIGNED BY RTP
SUPY. U/G STRUCTURES COMMITTEE	DATE		DRAWN BY TJH/RTP
			CHECKED BY DPK
			APPROVED BY DPK
			HOR. SCALE 1:100
			VERTICAL 1:50
0	ISSUED FOR TENDER	10.13.2009	TJH
NO.	REVISIONS	DATE	BY
			DATE 10/13/2009

DILLON CONSULTING

RELEASED FOR CONSTRUCTION

DATE

ENGINEER'S SEAL

PROVINCE OF MANITOBA

REGISTERED PROFESSIONAL ENGINEER

D.P. KRAHN

10/13/2009

Member 4226

CONSULTANT PROJECT NO. 088813

THE CITY OF WINNIPEG
TRANSIT DEPARTMENT

Winnipeg

SOUTHWEST RAPID TRANSIT CORRIDOR - STAGE 1
TRANSITWAY TUNNEL AT CN RIVERS SUBDIVISION
MILEAGE 1.38 & ASSOCIATED WORKS

CITY DRAWING NUMBER U237-09-72

SHEET 72 OF 73

CONSULTANT DRAWING NUMBER C4-C3010-T

CATCH BASIN DETAILS

APEGM

Certificate of Authorization

Dillon Consulting Limited (MB)

No. 1789 Date: 10/13/2009

NOTE:
LOCATION OF UNDERGROUND STRUCTURES AS SHOWN ARE BASED ON THE BEST INFORMATION AVAILABLE, BUT NO GUARANTEE IS GIVEN THAT ALL EXISTING UTILITIES ARE SHOWN OR THAT THE GIVEN LOCATIONS ARE EXACT. CONFIRMATION OF EXISTENCE AND EXACT LOCATION OF ALL SERVICES MUST BE OBTAINED FROM THE INDIVIDUAL UTILITIES BEFORE PROCEEDING WITH CONSTRUCTION.