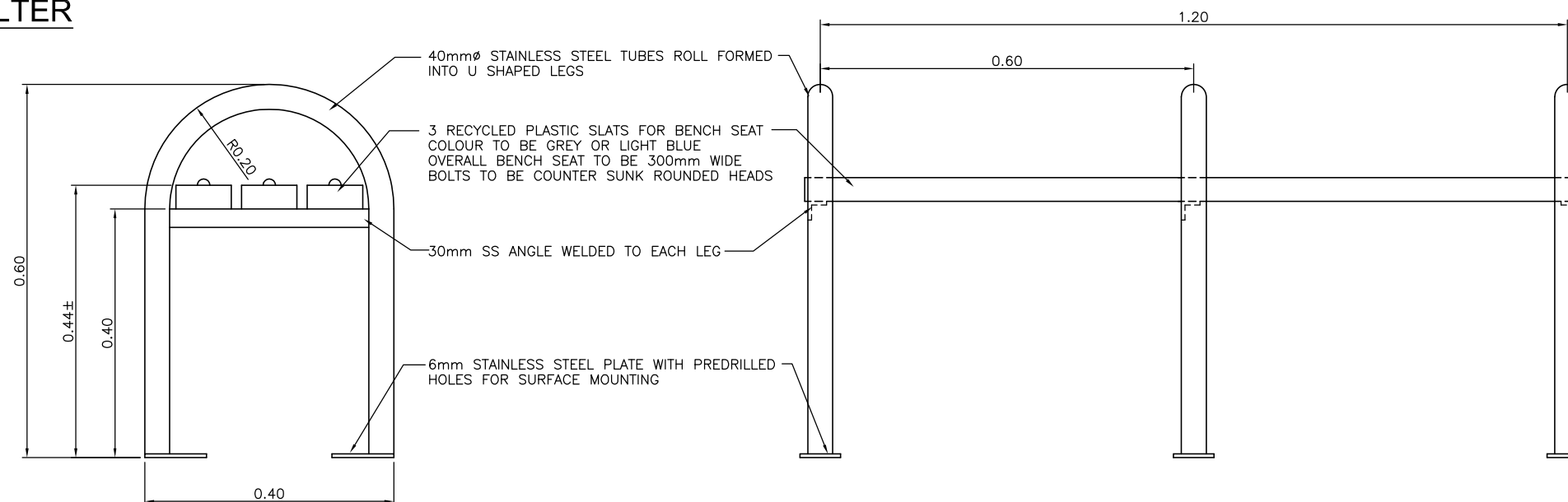
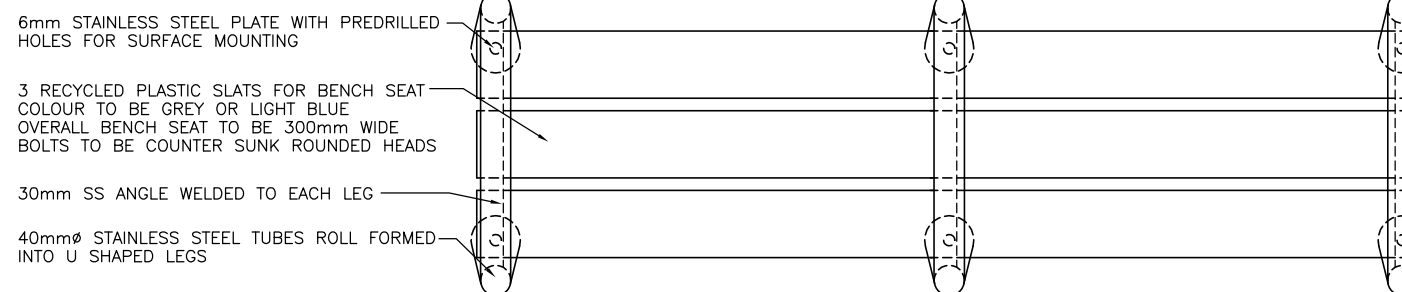


BENCH FOR HEATED SHELTER



BENCH FOR UNHEATED SHELTER



No.	Revisions	Date	By
	Scale		
	19-01-09	N.T.S.	
Designed By	Drawn By	Checked By	
JW	JW	SR	

McGOWAN RUSSELL
Client

WINNIPEG TRANSIT
Project Title
SUPPLY & INSTALLATION OF ILLUMINATED TRANSIT SIGNS & TRANSIT PASSENGER SHELTERS

Sheet Title
BENCH DESIGN DETAILS

Project No. 06-029 Drawing No. TS-5