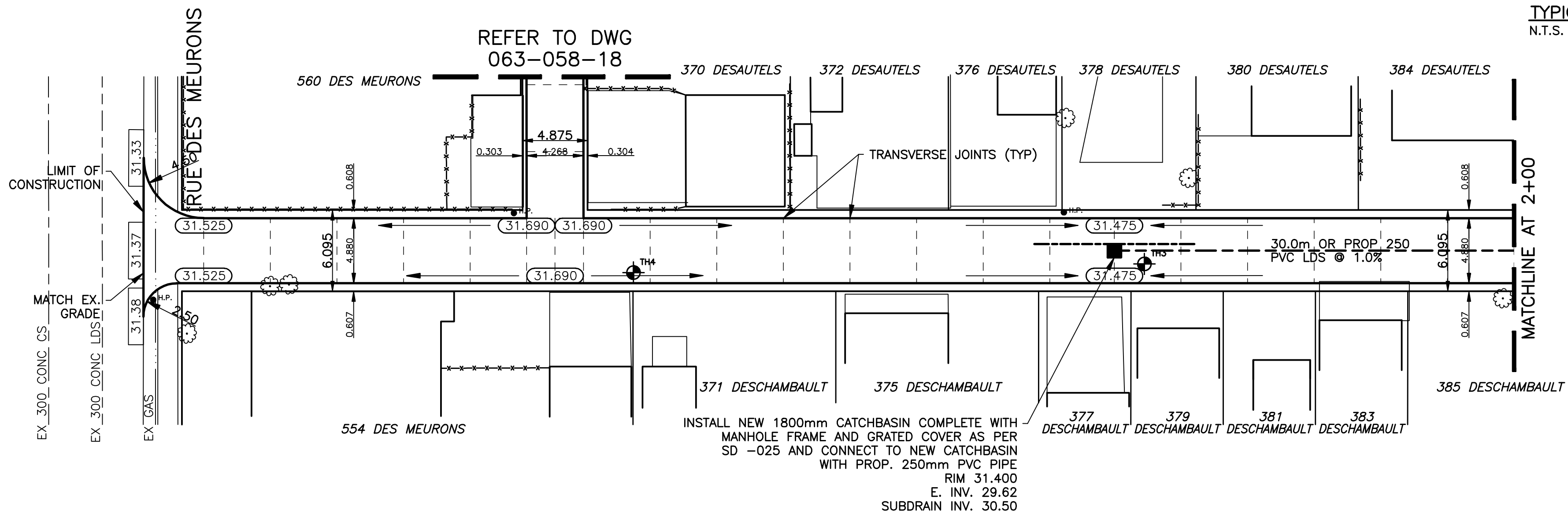
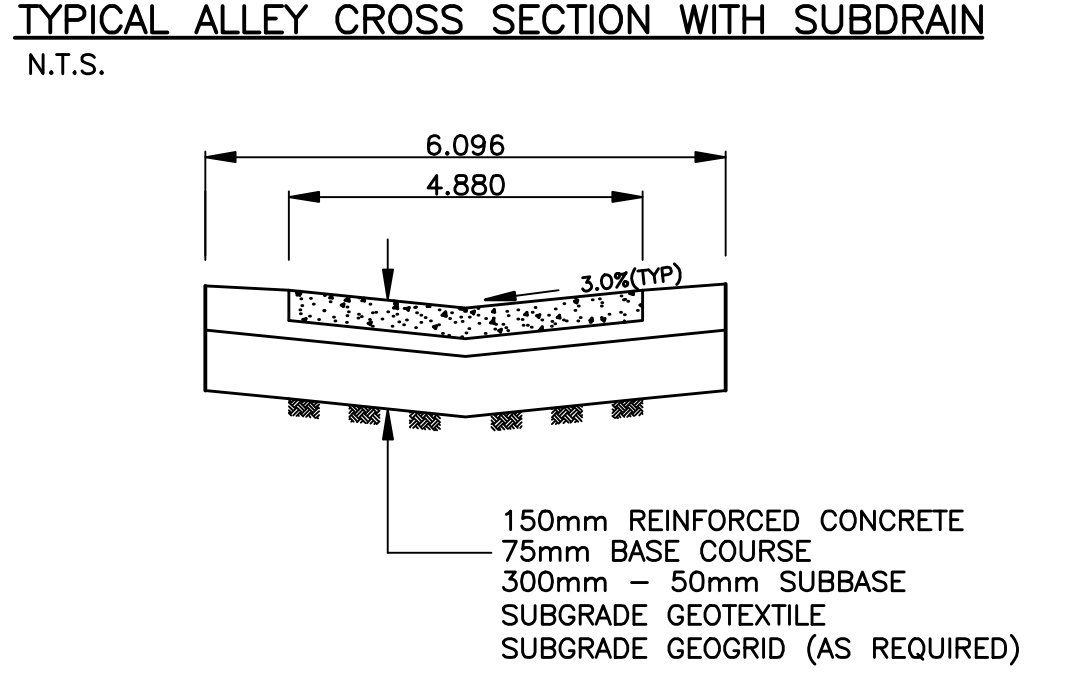
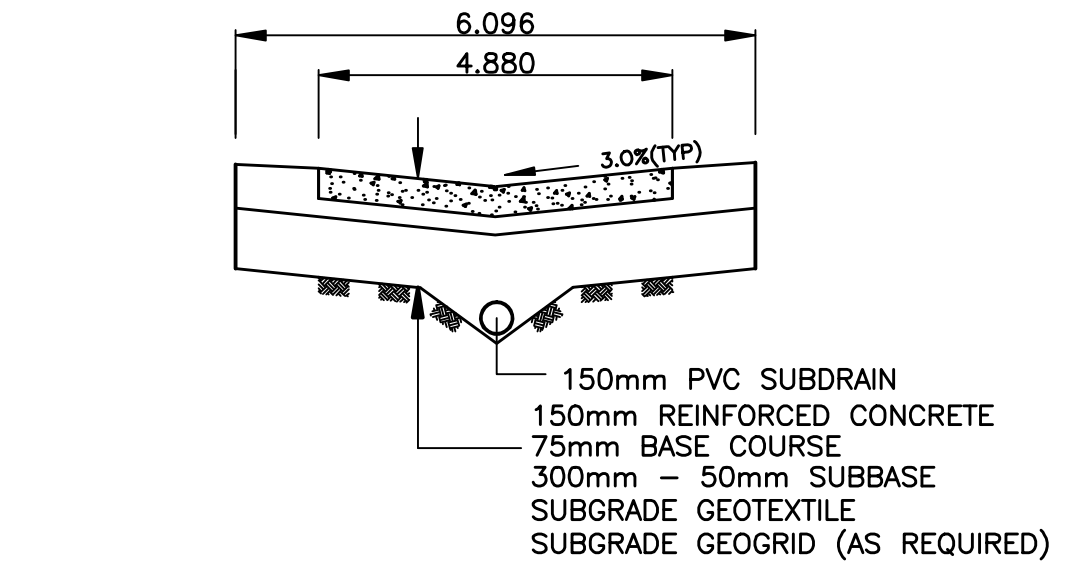
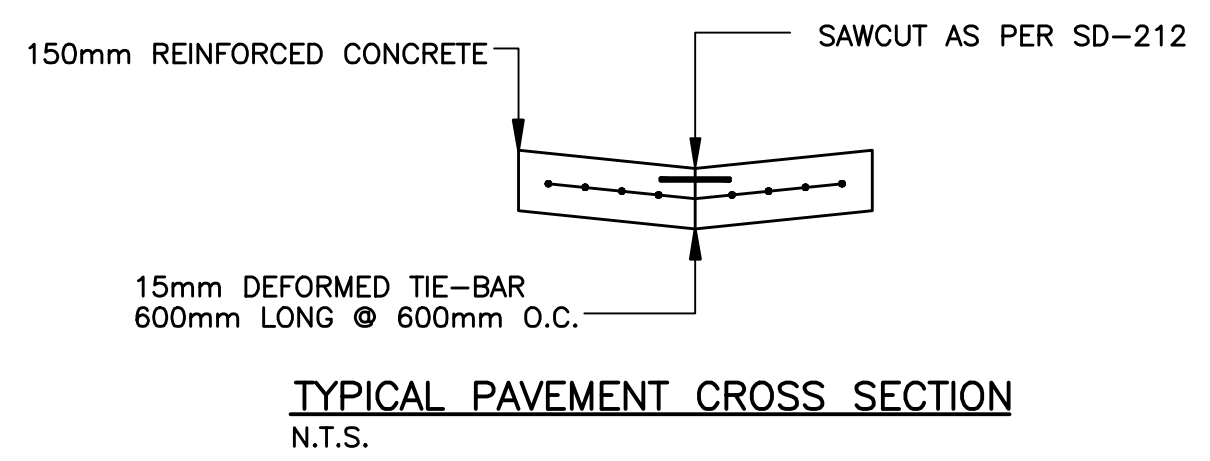


- NOTES:**
- ISOLATE EXISTING HYDRO POLES AS DIRECTED BY CONTRACT ADMINISTRATOR
  - RENEW EXISTING APPROACHES AS DIRECTED BY CONTRACT ADMINISTRATOR
  - EXTEND SUBDRAINS AS DIRECTED BY CONTRACT ADMINISTRATOR
  - ADDITIONAL EXCAVATION AND INSTALATION OF SUBGRADE GEOGRID TO BE DETERMINED BY CONTRACT ADMINISTRATOR

**DESAUTELS / DESCHAMBAULT ALLEY**



**BENCHMARK:**  
 S.E. COR. OF RUE DES MEURONS & HAMEL AVE., TBLT. IN W. CONC. WALL OF INTERNATIONAL LABORATORIES NO. 49 RUE DES MEURONS, 0.5 M S. & 1.0 M BELOW BRICK OF N. W. COR. OF BLDG.

**METRIC**  
 WHOLE NUMBERS INDICATE MILLIMETRES  
 DECIMALIZED NUMBERS INDICATE METRES

INSTALL PVC SUBDRAIN BETWEEN STA. 1+64 AND 1+76

---	WATERMAIN	---	HYDRO	---	CENTER LINE	---	LOCATION APPROVED
---	HYDRANT	---	M.T.S.	---	NORTH GUTTER LINE	---	B.M. ELEV.
---	VALVE	---	CONCRETE	---	SOUTH GUTTER LINE	---	CMBM: 34-011 231.413
---	LAND DRAINAGE SEWER	---	ASPHALT	---	WATERMAIN	---	DESIGNED BY R.H.
---	WASTE WATER SEWER	---	PROPERTY LINE	---	VALVE	---	CHECKED BY S.M.
---	MANHOLE	---	SURVEY BAR	---	LAND DRAINAGE SEWER	---	APPROVED BY I.McK
---	CATCH BASIN	---	CURB STOP	---	WASTE WATER SEWER	---	RELEASED FOR CONSTRUCTION
---	CURB INLET	---	C.B. LEAD	---	JUNCTIONS	---	ORIGINALLY SIGNED BY
---	TRAFFIC SIGNAL	---	SIDEWALK	---	TESTHOLE	---	DATE
---	STEAM HT.	---	SIDEWALK RAMP	---	ASPH./CONC. PAD	---	DATE
---	GAS	---	ELEVATIONS	---	GARAGE PAD	---	DATE
---	EXISTING	---	PROPOSED	---	PROPOSED	---	DATE

NO.	REVISIONS	DATE	BY

**GENIVAR**  
 10 PRAIRIE WAY, WINNIPEG, MANITOBA R2J 5J8  
 PH: (204)-477-6880 FAX: (204)-477-2864

DESIGNED BY R.H. CHECKED BY S.M.  
 DRAWN BY R.H. APPROVED BY I.McK  
 HOR. SCALE: 1:250  
 VERT. SCALE: 1:10  
 DATE: JUNE 2009

ENGINEERS SEAL  
  
 CONSULTANT DRAWING NO. 063-058-16

**THE CITY OF WINNIPEG**  
 PUBLIC WORKS DEPARTMENT

2009 ALLEY RENEWALS AND LOCAL IMPROVEMENTS  
 DESAUTELS / DESCHAMBAULT ALLEY  
 ALLEY PAVEMENT

FROM RUE DES MEURONS TO MATCHLINE AT STATION 2+00

CITY DRAWING NO. SHEET 1 OF 3  
 594-2009

**APEGN**  
 Certificate of Authorization  
 Genivar Consultants Limited Partnership  
 No. 4318 Expiry April 30, 2010