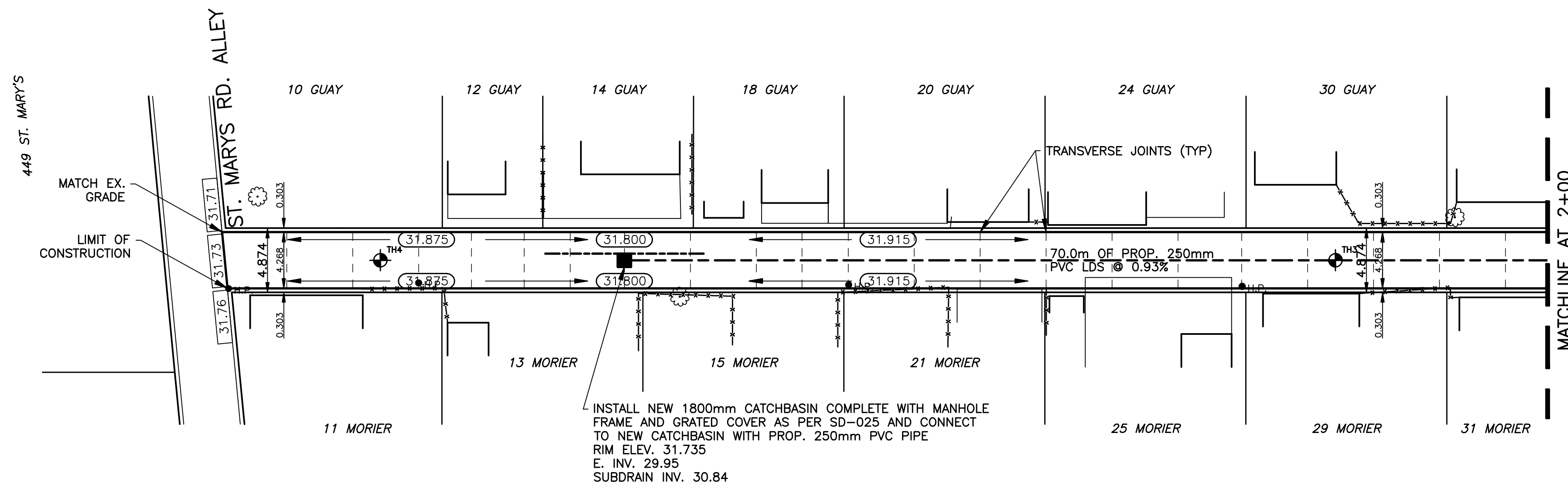
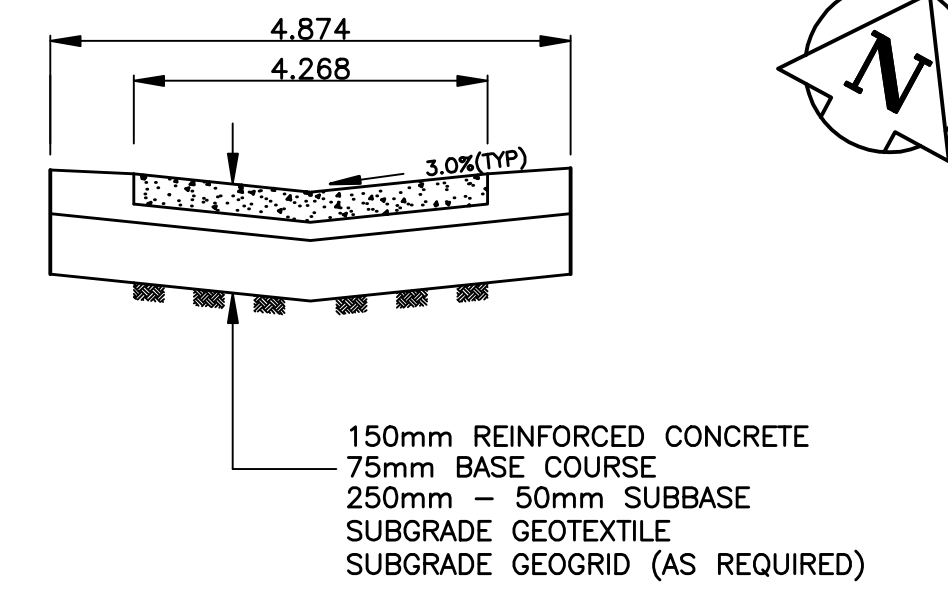
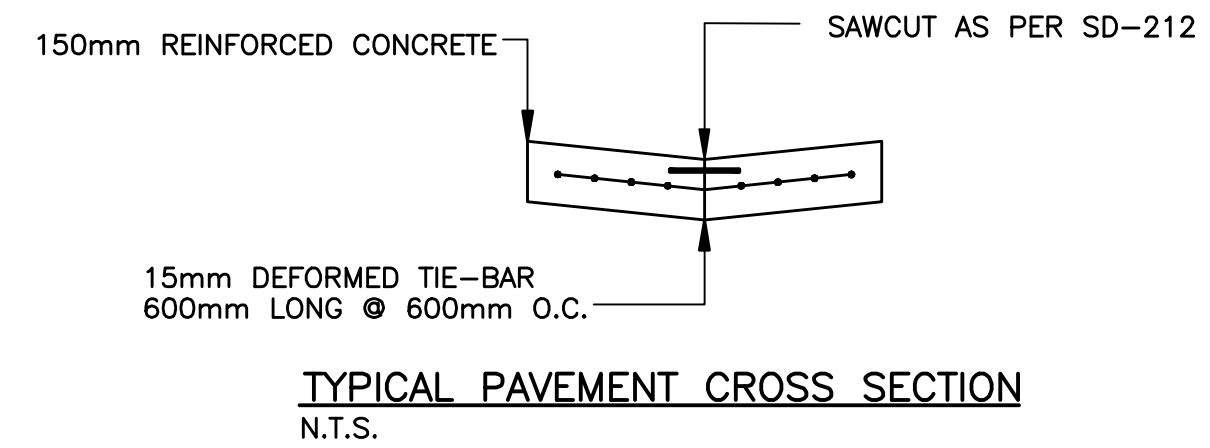


**NOTES:**

- ISOLATE EXISTING HYDRO POLES AS DIRECTED BY CONTRACT ADMINISTRATOR
- RENEW EXISTING APPROACHES AS DIRECTED BY CONTRACT ADMINISTRATOR
- EXTEND SUBDRAINS AS DIRECTED BY CONTRACT ADMINISTRATOR
- ADDITIONAL EXCAVATION AND INSTALLATION OF SUBGRADE GEOGRID TO BE DETERMINED BY CONTRACT ADMINISTRATOR

**GUAY / MORIER ALLEY**



**BENCHMARK:**  
D.B.M. IN GUAY PARK, ST. MARY'S RD. OPPOSITE GUAY AVE.,  
6.1m S. OF C.L. OF ASPHALT WALK TO WAR MEMORIAL,  
W. OF MAIN ENTRANCE, & 11.7m W. OF W.L. OF ST. MARY'S RD.

**METRIC**  
WHOLE NUMBERS INDICATE MILLIMETRES  
DECIMAL NUMBERS INDICATE METRES

INSTALL PVC SUBDRAINS BETWEEN  
STA. 1+24 AND 1+36

---	WATERMAIN	---	HYDRO	---	CENTER LINE	---
⊕	HYDRANT	⊕	M.T.S.	---	NORTH GUTTER LINE	---
⊙	VALVE	⊙	CONCRETE	---	SOUTH GUTTER LINE	---
---	LAND DRAINAGE SEWER	---	ASPHALT	---	WATERMAIN	---
---	WASTE WATER SEWER	---	PROPERTY LINE	---	VALVE	---
○	MANHOLE	●	SURVEY BAR	---	LAND DRAINAGE SEWER	---
□	CATCH BASIN	■	CURB STOP	---	WASTE WATER SEWER	---
△	CURB INLET	▲	C.B. LEAD	---	TESTHOLE	---
---	TRAFFIC SIGNAL	---	SIDEWALK	---	ASPH./CONC. PAD	---
---	STEAM HT.	---	SIDEWALK RAMP	---	GARAGE PAD	---
---	GAS	---	ELEVATIONS	(32.55)	---	---
---	EXISTING	---	LEGEND - PLAN	PROPOSED	EXISTING	LEGEND - PROFILE
---	---	---	---	---	---	---

**LOCATION APPROVED**

SUPV.	U/G	STRUCTURES	DATE
---	---	---	---

**NOTE:**  
LOCATION OF UNDERGROUND STRUCTURES AS SHOWN ARE BASED ON THE BEST INFORMATION AVAILABLE BUT NO GUARANTEE IS GIVEN THAT ALL EXISTING UTILITIES ARE SHOWN OR THAT THE GIVEN LOCATIONS ARE EXACT. CONFIRMATION OF EXISTENCE AND EXACT LOCATION OF ALL SERVICES MUST BE OBTAINED FROM THE INDIVIDUAL UTILITIES BEFORE PROCEEDING WITH CONSTRUCTION.

B.M. ELEV.	QWB.M. 34-001	231.117
DESIGNED BY	R.H.	CHECKED BY
DRAWN BY	R.H.	APPROVED BY
HOR. SCALE:	1:250	RELEASED FOR CONSTRUCTION
VERT. SCALE:	1:10	DATE
NO.	REVISIONS	DATE
---	---	---

**GENIVAR**  
10 PRAIRIE WAY WINNIPEG, MANITOBA R2J 3J8  
PH: (204) 477-6880 FAX: (204) 474-2864

DESIGNED BY: R.H. CHECKED BY: S.M.  
DRAWN BY: R.H. APPROVED BY: I.McK.  
HOR. SCALE: 1:250  
VERT. SCALE: 1:10  
DATE: JULY 2009

ENGINEER'S SEAL  
PROVINCE OF MANITOBA  
REGISTERED PROFESSIONAL ENGINEER  
I. G. MCKINNON

**THE CITY OF WINNIPEG**  
PUBLIC WORKS DEPARTMENT

2009 LOCAL IMPROVEMENTS  
GUAY / MORIER ALLEY  
ALLEY PAVEMENT

FROM EX. ALLEY AT STATION 0+99.70  
TO MATCHLINE AT STATION 2+00

CITY DRAWING NO. SHEET 1 OF 2  
594-2009

**APEGN**  
Certificate of Authorization  
Genivar Consultants Limited Partnership  
No. 4318 Expiry April 30, 2010