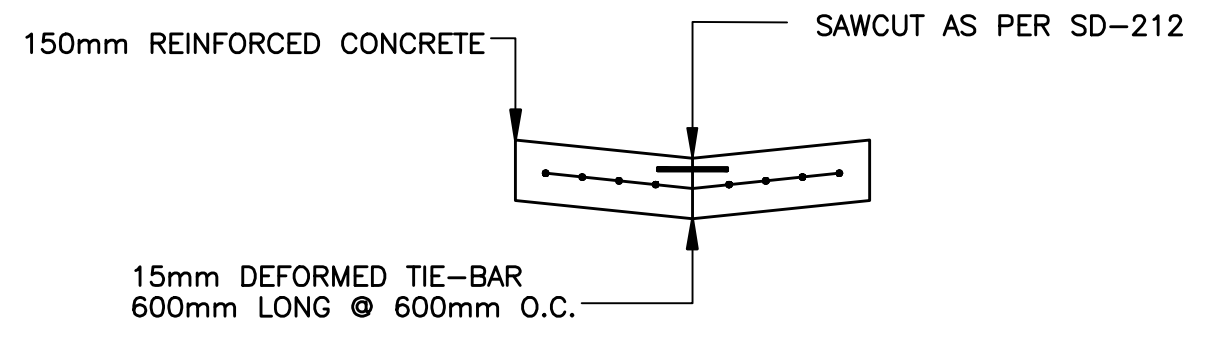
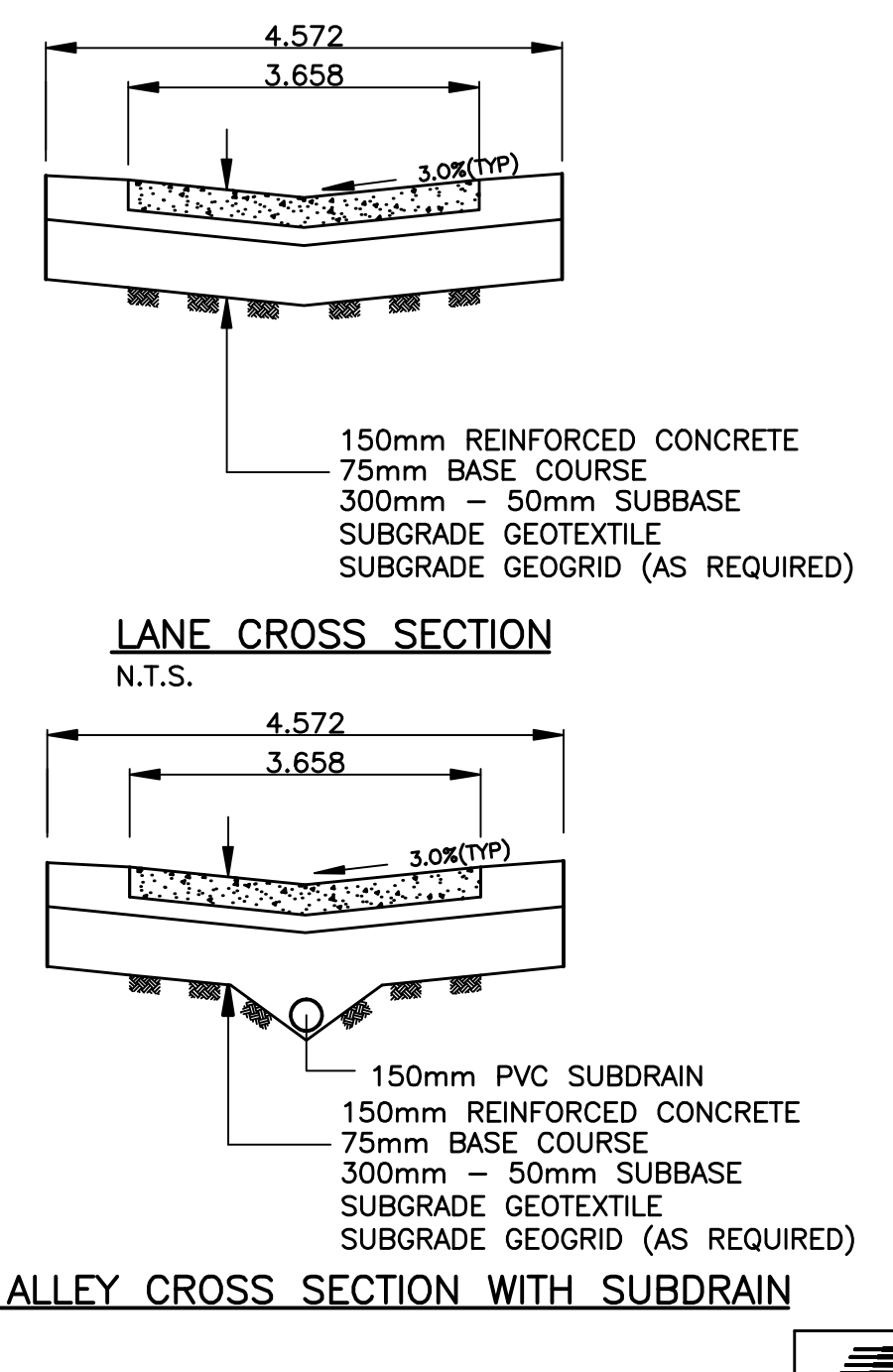
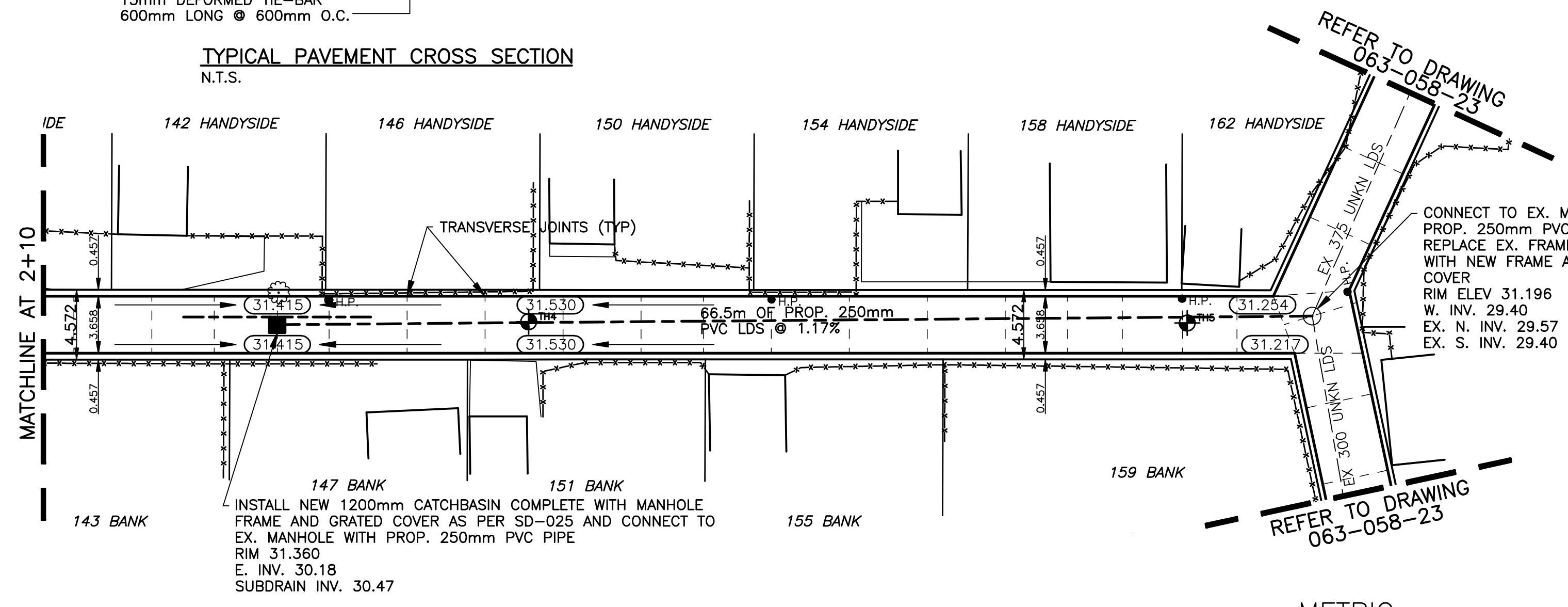


- NOTES:**
- ISOLATE EXISTING HYDRO POLES AS DIRECTED BY CONTRACT ADMINISTRATOR
 - RENEW EXISTING APPROACHES AS DIRECTED BY CONTRACT ADMINISTRATOR
 - EXTEND SUBDRAINS AS DIRECTED BY CONTRACT ADMINISTRATOR
 - ADDITIONAL EXCAVATION AND INSTALLATION OF SUBGRADE GEOGRID TO BE DETERMINED BY CONTRACT ADMINISTRATOR



HANDYSIDE / BANK ALLEY



BENCHMARK:
N.E. COR. HANDYSIDE AVE. & EGERTON RD., 19mm DIA. X 4.8m I.B. IN VALVE BOX, 3.0m S. OF N.L. OF OF HANDYSIDE AVE. ALONG E.L. OF EGERTON RD.

METRIC
WHOLE NUMBERS INDICATE MILLIMETRES
DECIMAL NUMBERS INDICATE METRES

INSTALL PVC SUBDRAIN BETWEEN STA. 2+19 AND 2+31

WATERMAIN	HYDRO	CENTER LINE	LOCATION APPROVED
HYDRANT	M.T.S.	NORTH GUTTER LINE	B.M. ELEV.
VALVE	CONCRETE	SOUTH GUTTER LINE	QMBM: 54-017
LAND DRAINAGE SEWER	ASPHALT	WATERMAIN	230.621
WASTE WATER SEWER	PROPERTY LINE	VALVE	
MANHOLE	SURVEY BAR	LAND DRAINAGE SEWER	
CATCH BASIN	CURB STOP	WASTE WATER SEWER	
CURB INLET	C.B. LEAD	JUNCTIONS	
TRAFFIC SIGNAL	SIDEWALK	TESTHOLE	
STEAM HT.	SIDEWALK RAMP	ASPH./CONC. PAD	
GAS	ELEVATIONS	GARAGE PAD	
EXISTING	LEGEND - PLAN	PROPOSED	

NO.	REVISIONS	DATE	BY

GENIVAR
10 PRINCE WAY WINNIPEG, MANITOBA R2J 3J8
PH: (204) 477-6880 FAX: (204) 474-2864

DESIGNED BY: R.H. CHECKED BY: S.M.
DRAWN BY: R.H. APPROVED BY: I.McK.
HOR. SCALE: 1:250
VERT. SCALE: 1:10
RELEASED FOR CONSTRUCTION: _____
DATE: JULY 2009

ENGINEER'S SEAL
PROVINCE OF MANITOBA
REGISTERED PROFESSIONAL ENGINEER
I. G. MCKINNON

THE CITY OF WINNIPEG
PUBLIC WORKS DEPARTMENT

2009 LOCAL IMPROVEMENTS
HANDYSIDE / BANK ALLEY
ALLEY PAVEMENT

FROM MATCHLINE AT STATION 2+10
TO NEW LANE INTERSECTION AT STATION 2+89.82

CITY DRAWING NO. 594-2009
SHEET 2 OF 3



APR 2009