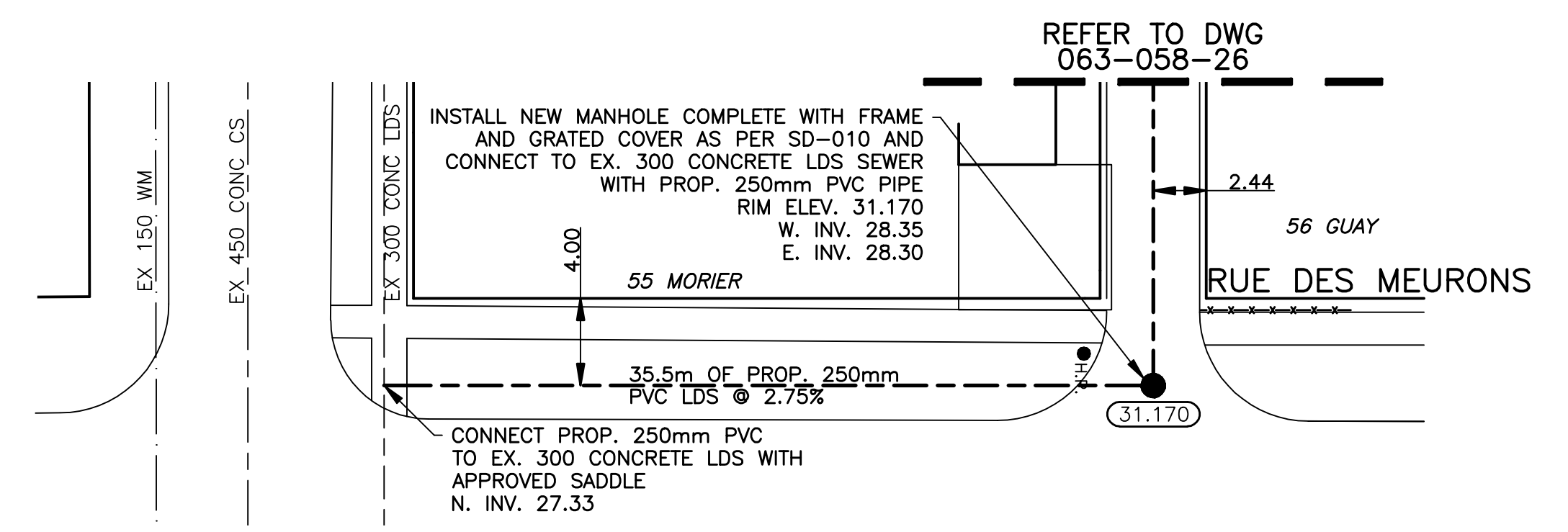
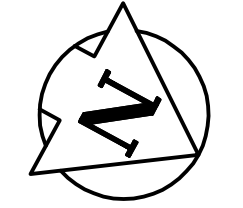


CHAINAGE ALONG CENTER OF ROW

DES MEURONS LDS



REFER TO DWG 063-058-26

METRIC

BENCHMARK: D.B.M. IN QUAY PARK, ST. MARY'S RD. OPPOSITE GUAY AVE., 6.1m S. OF C.L. OF ASPHALT WALK TO WAR MEMORIAL W. OF MAIN ENTRANCE, & 11.7m W. OF W.L. OF ST. MARY'S RD.

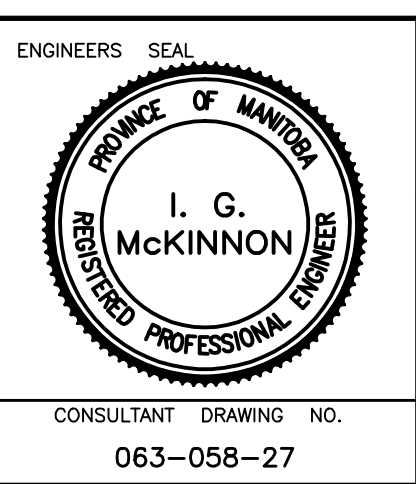
WHOLE NUMBERS INDICATE MILLIMETRES
DECIMALIZED NUMBERS INDICATE METRES



---	WATERMAIN	---	HYDRO	---	CENTER LINE	---	---
⊕	HYDRANT	⊕	M.T.S.	---	NORTH GUTTER LINE	---	---
⊙	VALVE	⊙	CONCRETE	---	SOUTH GUTTER LINE	---	---
---	LAND DRAINAGE SEWER	---	ASPHALT	---	WATERMAIN	---	---
---	WASTE WATER SEWER	---	PROPERTY LINE	---	VALVE	---	---
○	MANHOLE	●	SURVEY BAR	⊕	LAND DRAINAGE SEWER	---	---
□	CATCH BASIN	■	CURB STOP	⊕	WASTE WATER SEWER	---	---
△	CURB INLET	▲	C.B. LEAD	⊕	TESTHOLE	---	---
---	TRAFFIC SIGNAL	---	SIDEWALK	×	ASPH./CONC. PAD	---	---
---	STEAM HT.	---	SIDEWALK RAMP	⊕	GARAGE PAD	---	---
---	GAS	---	ELEVATIONS	(32.55)	---	---	---
---	EXISTING	---	LEGEND - PLAN	---	EXISTING	---	---
---	PROPOSED	---	LEGEND - PROFILE	---	PROPOSED	---	---

LOCATION APPROVED			
SUPPLY	U/G	STRUCTURES	DATE
---	---	---	---
NOTE: LOCATION OF UNDERGROUND STRUCTURES AS SHOWN ARE BASED ON THE BEST INFORMATION AVAILABLE BUT NO GUARANTEE IS GIVEN THAT ALL EXISTING UTILITIES ARE SHOWN OR THAT THE GIVEN LOCATIONS ARE EXACT. CONFIRMATION OF EXISTENCE AND EXACT LOCATION OF ALL SERVICES MUST BE OBTAINED FROM THE INDIVIDUAL UTILITIES BEFORE PROCEEDING WITH CONSTRUCTION.			

<p>10 PRAIRIE WAY WINNIPEG, MANITOBA R2J 3J8 Ph: (204)-477-6880 FAX: (204)-474-2864</p>	
DESIGNED BY	R.H.
CHECKED BY	S.M.
DRAWN BY	R.H.
APPROVED BY	I.McK.
HOR. SCALE:	1:250
VERT. SCALE:	1:50
DATE	JULY 2009
NO.	REVISIONS
---	---



<p>2009 LOCAL IMPROVEMENTS RUE DES MEURONS LAND DRAINAGE SEWER</p>	
<p>FROM EX. 300 CONC. LDS AT STATION 0+99.52 TO MANHOLE AT STATION 1+33.96</p>	
CITY DRAWING NO.	594-2009
SHEET	3 OF 3