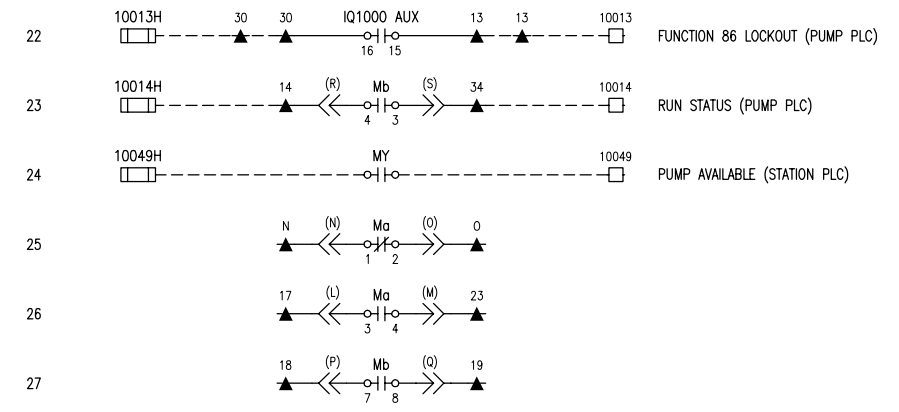
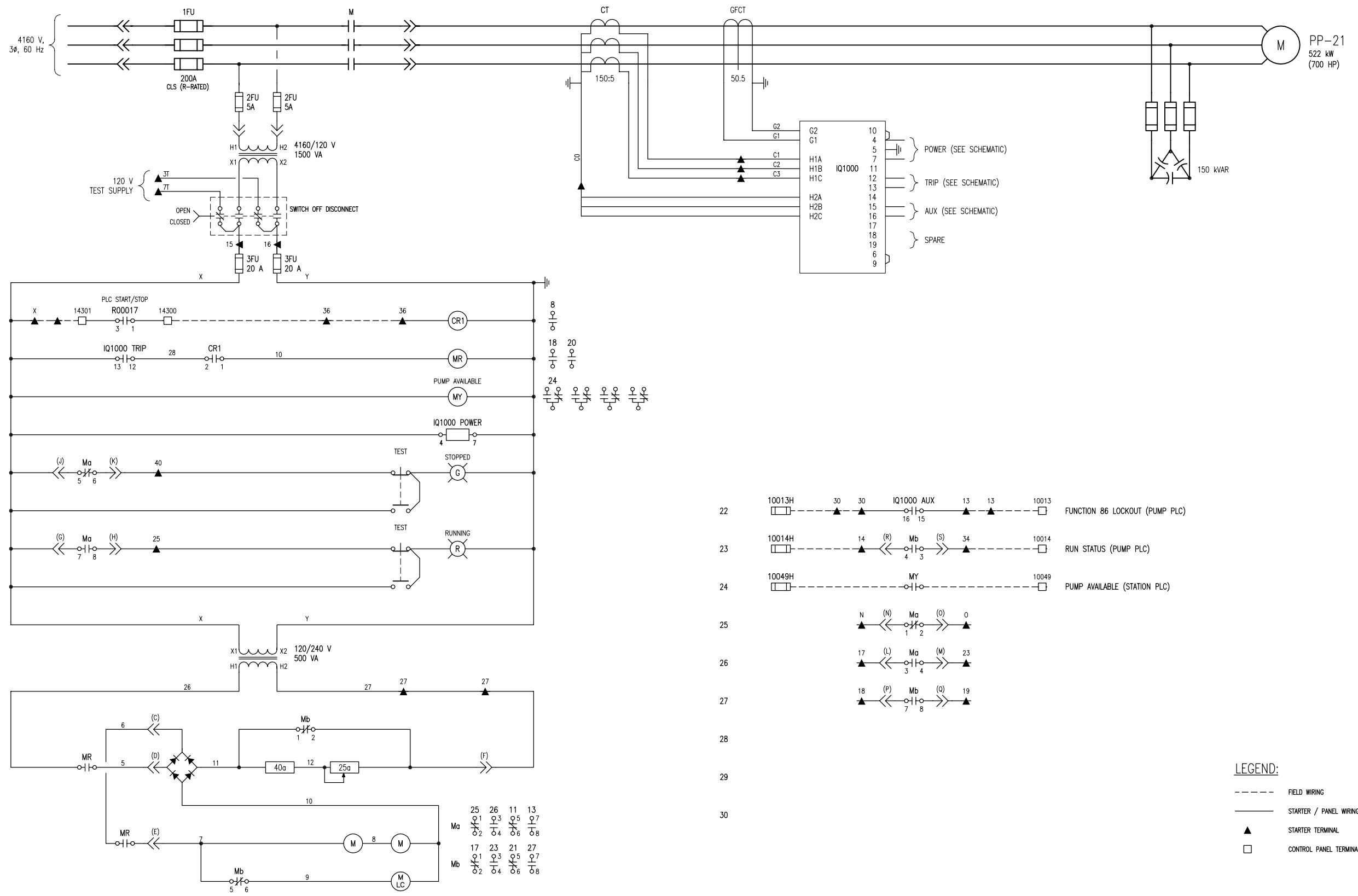


A1 SIZE - 594mm x 841mm

1
2
3
4
5
6
7
8
9
10
11
12
13
14
15
16
17
18
19
20
21



LEGEND:
 - - - - - FIELD WIRING
 _____ STARTER / PANEL WIRING
 ▲ STARTER TERMINAL
 □ CONTROL PANEL TERMINAL

NOTES:
 1. THE STARTER IS A WESTINGHOUSE AMPGUARD STARTER.

B.M. ELEV.	FIELD BOOK #:	 SNC-LAVALIN INC. 148 Mainville Park Way Winnipeg, MB, Canada R3P 0X7 204-786-8080	ENGINEER'S SEAL	 THE CITY OF WINNIPEG WATER AND WASTE DEPARTMENT MACLEAN PUMPING STATION MOTOR STARTER SCHEMATIC PUMP PP-21
POSTED TO LBIS			DESIGNED BY: EXISTING CHECKED BY: CJR DRAWN BY: DEB/CJR APPROVED BY: CJR HOR. SCALE: NTS VERTICAL: NTS RELEASED FOR CONSTRUCTION DATE: 2005/11/15 DATE: _____	
01 REVISED DRAWING NUMBER	2008/02/13 AEO	FILENAME: 1-0630M-E0005-001-01.dwg	CITY DRAWING NUMBER	SHEET REV. SIZE
00 ISSUED FOR CITY USE	2007/08/28 Y.M		1-0630M-E0005	001 01 A1
NO. REVISIONS	DATE BY			

1-0630M-E0002	SINGLE LINE DIAGRAM 4160 V DISTRIBUTION
DRAWING NUMBER	REFERENCE DRAWINGS

LAST SAVE: 2009/05/29 - 8:32am
 PATH: M:\12900\GENC\WELLE\DD - General DWG\Maclean\1-0630M-E0005-001-01.dwg