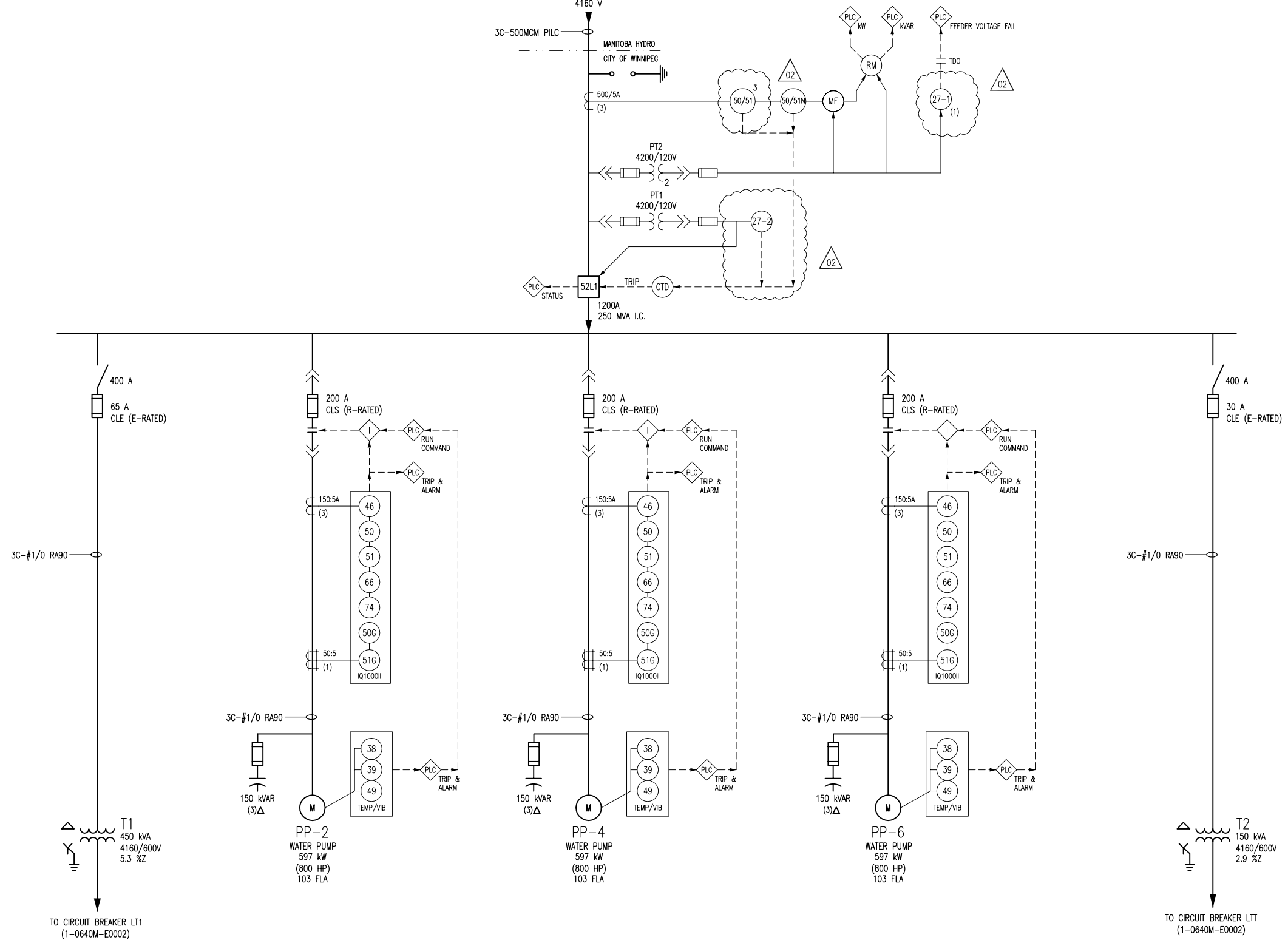


FROM MANITOBA HYDRO LOGAN AVE. SUBSTATION
 FEEDER 2323
 4160 V



NOTES:
 1. THIS DRAWING SUPERSEDES PART OF DRAWING Q-MCP-190.

DRAWING NUMBER	REFERENCE DRAWINGS
1-0640M-E0016	MAIN BREAKER CONTROL SCHEMATIC
1-0640M-E0017	MAIN BREAKER THREE LINE DIAGRAM
1-0640M-E0001	ELECTRICAL SINGLE LINE DIAGRAM LEGEND & DETAILS

APEGM
 Certificate of Authorization
SNC-Lavalin Inc.
 No. 4489 Expiry: April 30, 2010

NO.	REVISIONS	DATE	DESIGN	CHECK
02	MODIFIED 27-1, 27-2 RELAYS, ADDED 50/51-B	2009/05/27	BOK	CJR
01	REVISED DRAWING NUMBER	2008/02/13	AEO	CJR
00	ISSUED FOR CITY USE	2007/08/28	YM	CJR

SNC-LAVALIN INC.
 148 Notary Park Way
 Winnipeg, MB, Canada R3P 0X7
 204-786-8080

DESIGNED BY: EXISTING	CHECKED BY: CJR
DRAWN BY: DEB	APPROVED BY: CJR
SCALE: NTS	RELEASED FOR CONSTRUCTION BY: DATE:
DATE: 2005/10/25	DATE:
CONSULTANT NO.:	

ENGINEER'S SEAL
 ORIGINAL DRAWING
 SEALED BY:
 B. D., KING
 2009/08/14
 REV. 02

THE CITY OF WINNIPEG
 WATER AND WASTE DEPARTMENT

MCPHILLIPS PUMPING STATION
 ELECTRICAL SINGLE LINE DIAGRAM
 4160 V DISTRIBUTION

CITY DRAWING NUMBER	SHEET	REV.	SIZE
1-0640M-E0002	001	02	A1