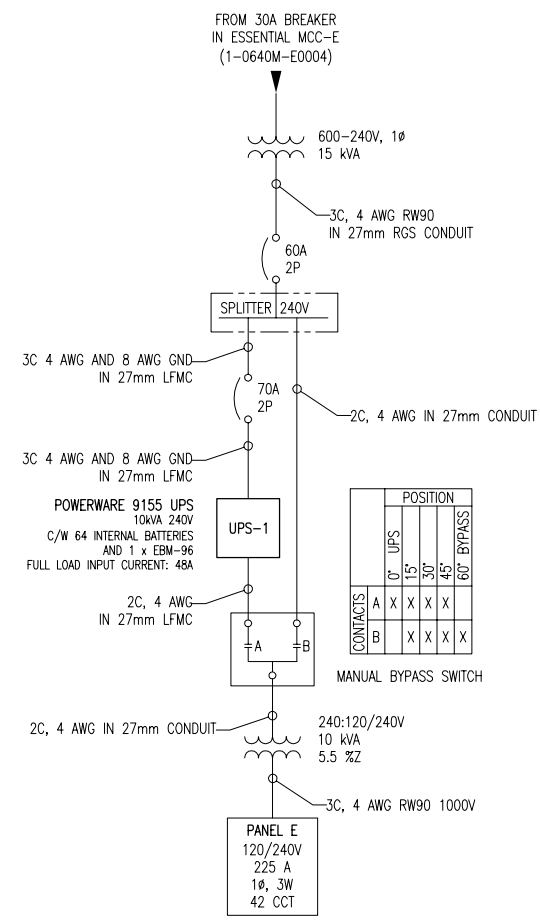
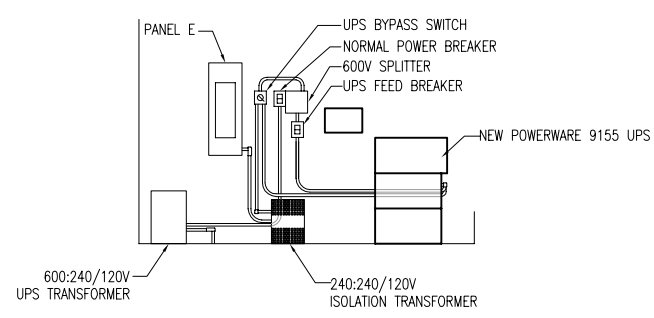


CONTROL ROOM PLAN
SCALE: N.T.S.

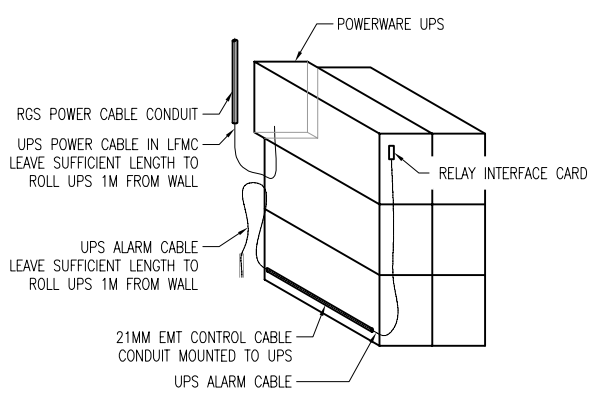


SINGLE LINE DIAGRAM

LEGEND	
LFMC	LIQUID TIGHT FLEXIBLE METAL CONDUIT
LFNMC	LIQUID TIGHT FLEXIBLE NON-METALLIC CONDUIT
RGS	RIGID GALVANIZED STEEL CONDUIT



SECTION E
SCALE: N.T.S.



DETAIL 1
SCALE: N.T.S.

DRAWING NUMBER	REFERENCE DRAWINGS

APEGM
Certificate of Authorization
SNC-Lavalin Inc. (MB)
No. 4489 Expiry: April 30, 2009

B.M. ELEV.	FIELD BOOK #	SNC-LAVALIN INC. 148 Huttere Park Way Winnipeg, MB, Canada R3P 0X7 204-786-8080	
POSTED TO LBIS		DESIGNED BY C. REIMER	CHECKED BY C. REIMER
		DRAWN BY A. OLIVER	APPROVED BY C. REIMER
		HOR. SCALE NTS	RELEASED FOR CONSTRUCTION G. PATTON
		VERTICAL SCALE NTS	DATE 2008/05/13
		DATE 2008/01/08	DATE 2007/07/05
NO. REVISIONS	DATE BY	FILENAME: 1-0640M-E0011-001-03.dwg	

ENGINEER'S SEAL

ORIGINAL DRAWING SEALED BY:
C. J. REIMER
2009/03/14
REV. 03

THE CITY OF WINNIPEG
WATER AND WASTE DEPARTMENT

MCPHILLIPS PUMPING STATION
UPS UPGRADES
SINGLE LINE DIAGRAM & LAYOUT
REMOVALS & INSTALLATIONS

CITY DRAWING NUMBER	SHEET	REV.	SIZE
1-0640M-E0011	001	03	A1