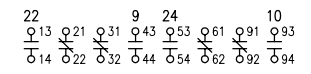
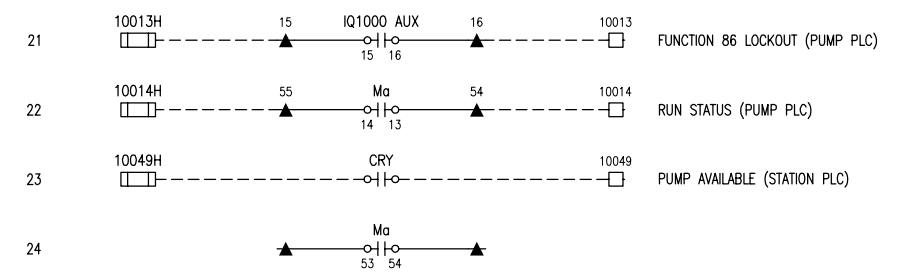
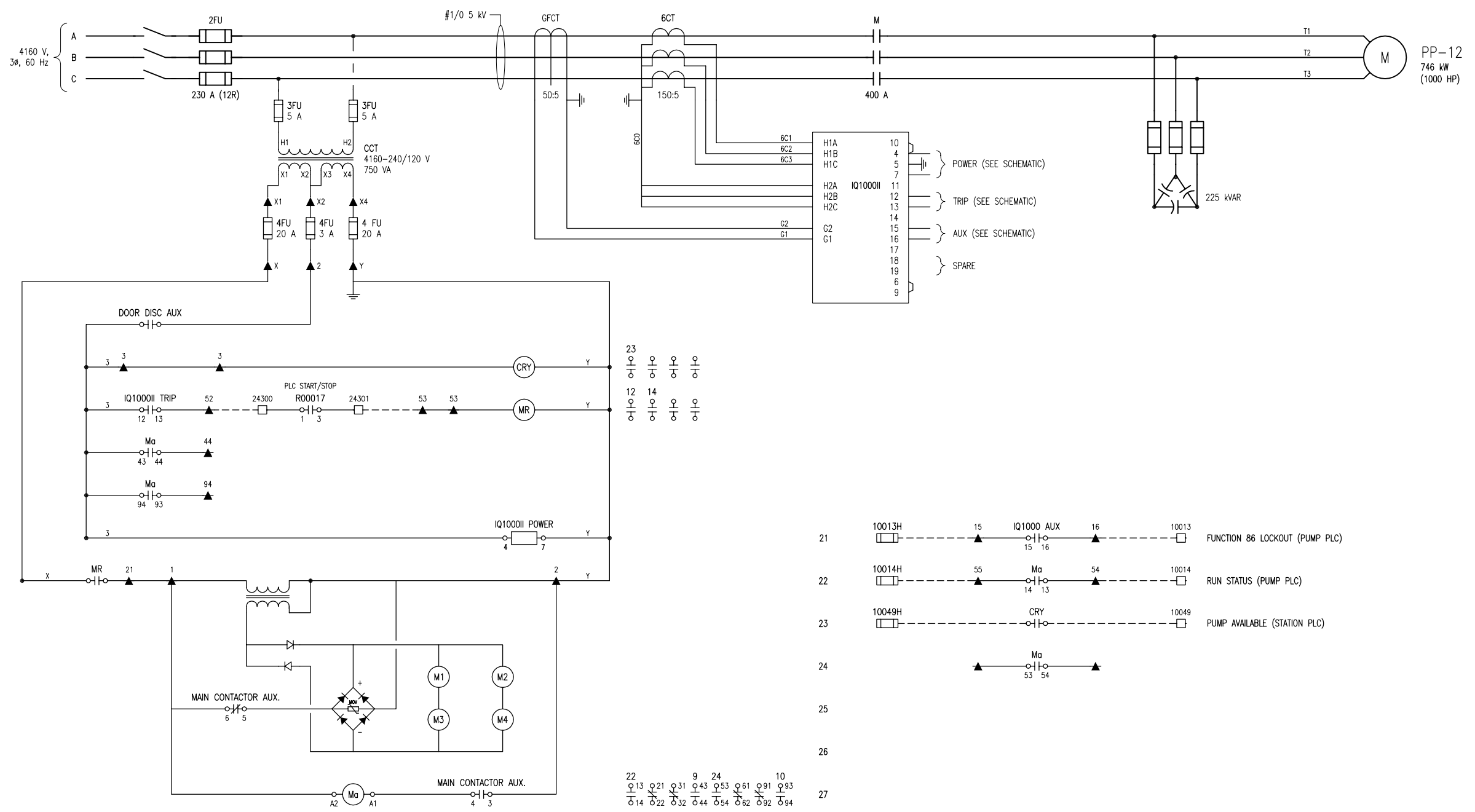


A1 SIZE - 594mm x 841mm

1
2
3
4
5
6
7
8
9
10
11
12
13
14
15
16
17
18
19
20



LEGEND:
 - - - - - FIELD WIRING
 ——— STARTER / PANEL WIRING
 ▲ STARTER TERMINAL
 □ CONTROL PANEL TERMINAL

1-0650M-E0002	ELECTRICAL SINGLE LINE DIAGRAM - 4160 V DISTRIBUTION
DRAWING NUMBER	REFERENCE DRAWINGS

B.M. ELEV.	FIELD BOOK #:	 SNC-LAVALIN INC. 148 Mainville Park Way Winnipeg, MB, Canada R3P 0X7 204-786-8080	ENGINEER'S SEAL
POSTED TO LBIS			DESIGNED BY: EXISTING CHECKED BY: CJR DRAWN BY: CJR APPROVED BY: CJR HOR. SCALE: NTS VERTICAL: NTS RELEASED FOR CONSTRUCTION DATE: 2005/11/17 DATE:
01 REVISED DRAWING NUMBER	2008/02/13	AEO	
00 ISSUED FOR CITY USE	2007/08/28	Y.M	
NO. REVISIONS	DATE	BY	FILENAME: 1-0650M-E0006-001-01.dwg
THE CITY OF WINNIPEG WATER AND WASTE DEPARTMENT HURST PUMPING STATION MOTOR STARTER SCHEMATIC PUMP PP-12		CITY DRAWING NUMBER: 1-0650M-E0006 SHEET: 001 REV: 01 SIZE: A1	

LAST SAVE: 2009/05/29 - 8:20am
 PATH: M:\12900\VENG\WELLE\DD - General DWG\Hurst\1-0650M-E0006-001-01.dwg