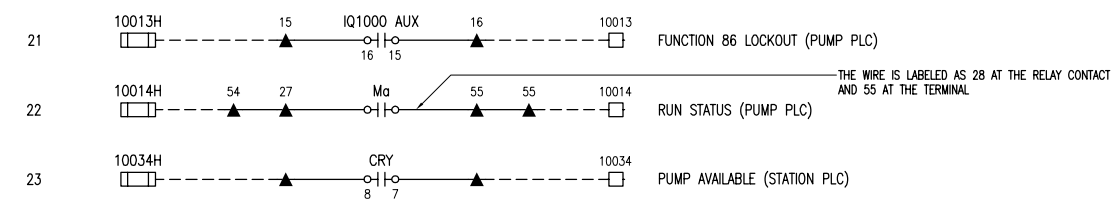
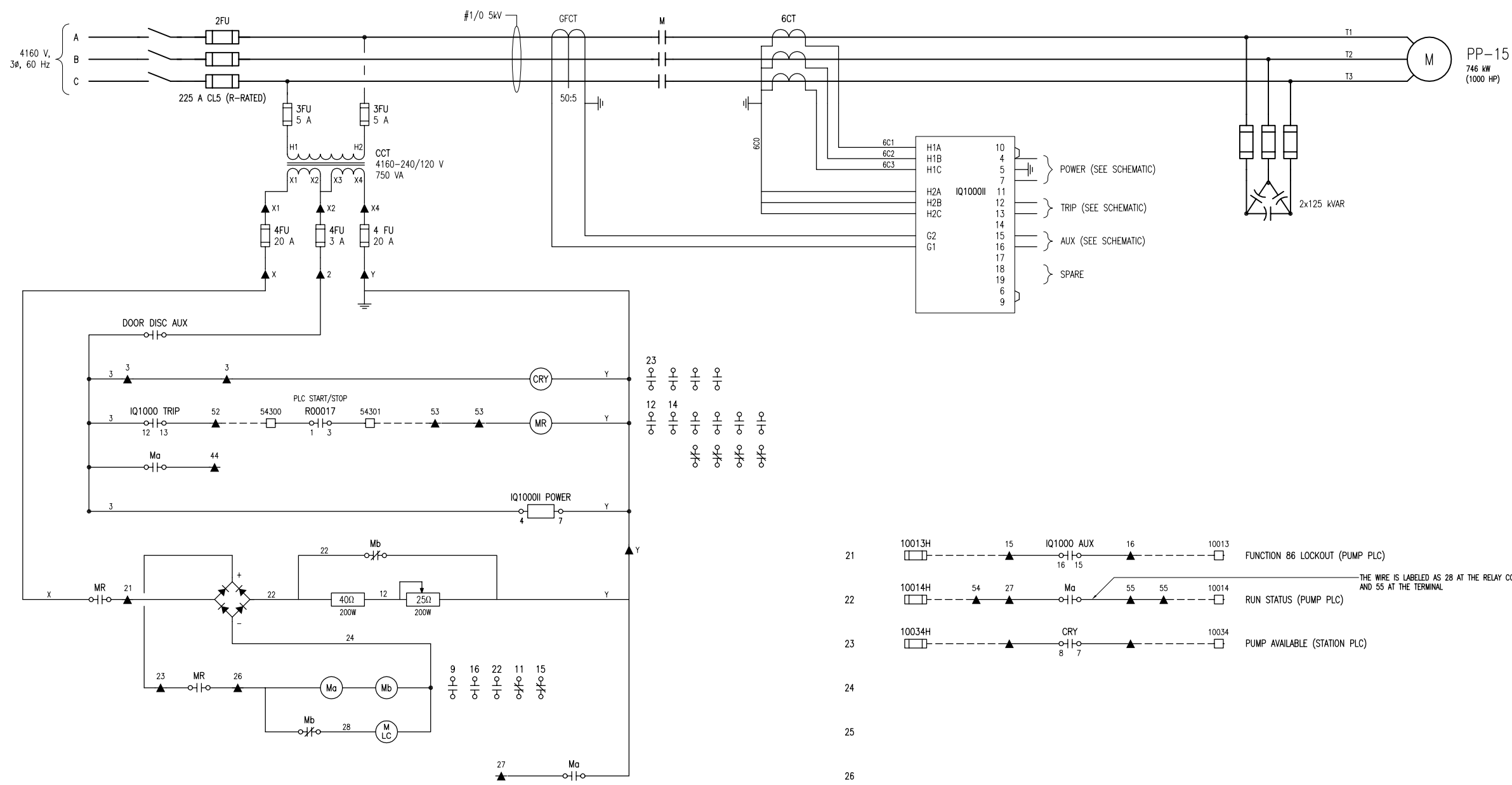


AT SIZE - 594mm x 841mm

1  
2  
3  
4  
5  
6  
7  
8  
9  
10  
11  
12  
13  
14  
15  
16  
17  
18  
19  
20



**LEGEND:**  
 - - - - - FIELD WIRING  
 ——— STARTER / PANEL WIRING  
 ▲ STARTER TERMINAL  
 □ CONTROL PANEL TERMINAL

LAST SAVE: 2009/05/29 - 8:21am  
 PATH: M:\12900\VENUS\VELE\DD - General DWG\Hurst\1-0650M-E0008-001-01.dwg

1-0650M-E0002	ELECTRICAL SINGLE LINE DIAGRAM - 4160 V DISTRIBUTION
DRAWING NUMBER	REFERENCE DRAWINGS

B.M. ELEV.	FIELD BOOK #:	SNC-LAVALIN INC. 148 Notaire Park Way Winnipeg, MB, Canada R3P 0X7 204-786-8080	ENGINEER'S SEAL	<b>THE CITY OF WINNIPEG</b> WATER AND WASTE DEPARTMENT HURST PUMPING STATION MOTOR STARTER SCHEMATIC PUMP PP-15
POSTED TO LBIS			DESIGNED BY: EXISTING CHECKED BY: CJR DRAWN BY: CJR APPROVED BY: CJR HOR. SCALE: NTS VERTICAL: NTS RELEASED FOR CONSTRUCTION DATE: 2005/11/17 DATE:	
01 REVISED DRAWING NUMBER	2008/02/13	AEO		
00 ISSUED FOR CITY USE	2007/08/28	Y.M		
NO. REVISIONS	DATE	BY	FILENAME: 1-0650M-E0008-001-01.dwg	
CITY DRAWING NUMBER			SHEET	REV.
1-0650M-E0008			001	01
			SIZE	A1