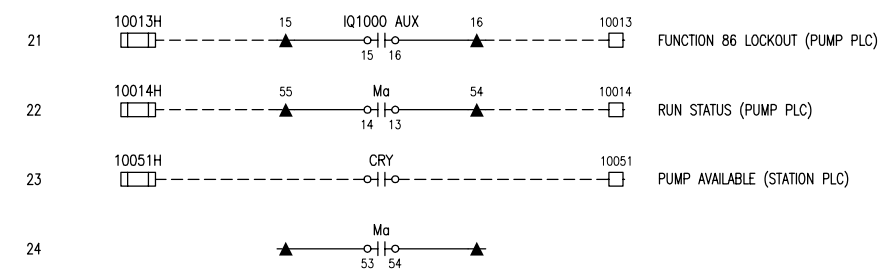
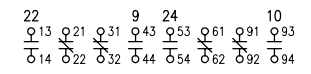
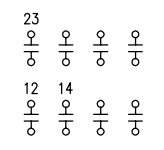
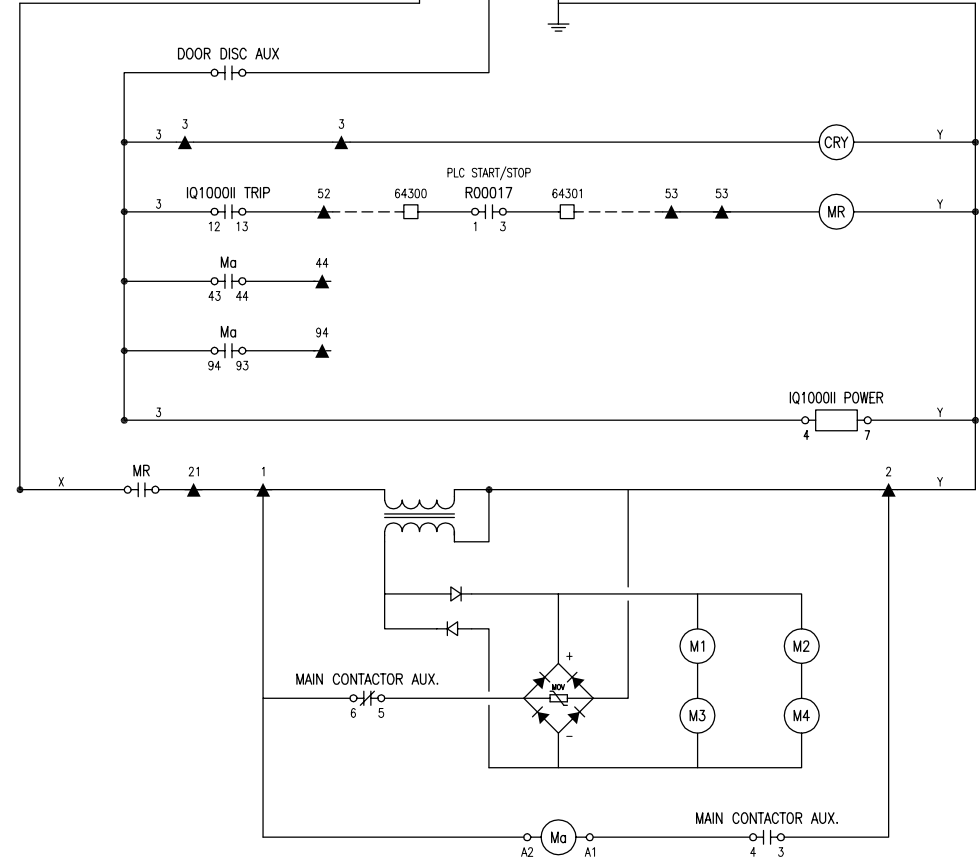
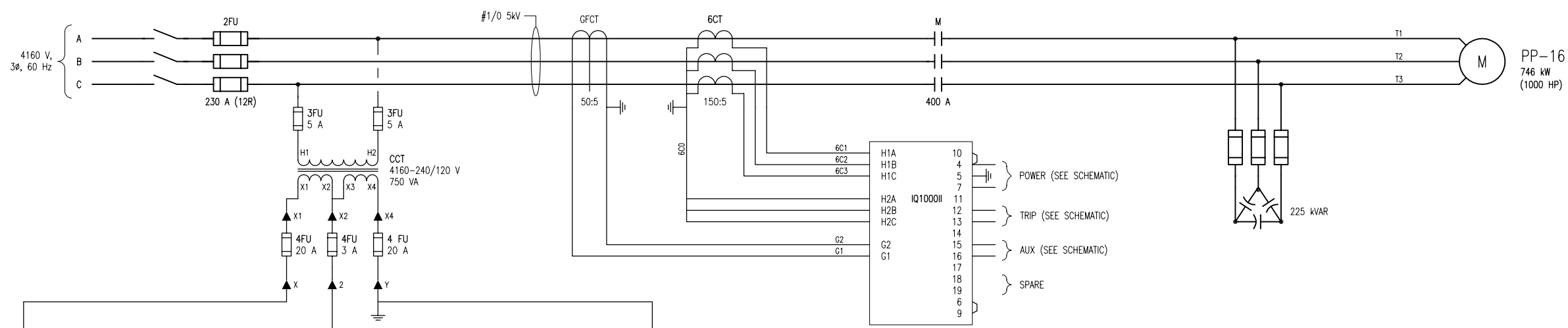


A1 SIZE - 594mm x 841mm

1
2
3
4
5
6
7
8
9
10
11
12
13
14
15
16
17
18
19
20



LEGEND:

----- FIELD WIRING

———— STARTER / PANEL WIRING

▲ STARTER TERMINAL

□ CONTROL PANEL TERMINAL

LAST SAVE: 2009/05/29 - 8:21am
PATH: M:\12900\VENUS\VELE\DD - General DWG\Hurst\1-0650M-E0009-001.dwg

1-0650M-E0002	ELECTRICAL SINGLE LINE DIAGRAM - 4160 V DISTRIBUTION
DRAWING NUMBER	REFERENCE DRAWINGS

B.M. ELEV.	FIELD BOOK #:	<p>SNC-LAVALIN INC. 148 Victoria Park Way Winnipeg, MB, Canada R3P 0X7 204-786-8080</p>	ENGINEER'S SEAL
POSTED TO LBIS			<p>THE CITY OF WINNIPEG WATER AND WASTE DEPARTMENT</p> <p>HURST PUMPING STATION</p> <p>MOTOR STARTER SCHEMATIC PUMP PP-16</p>
DESIGNED BY	EXISTING	CHECKED BY	CJR
DRAWN BY	CJR/EFB	APPROVED BY	CJR
HOR. SCALE	NTS	RELEASED FOR CONSTRUCTION	
VERTICAL SCALE	NTS	DATE	2006/02/06
01 REVISED DRAWING NUMBER	2008/02/13	AEO	
00 ISSUED FOR CITY USE	2007/08/28	Y.M	
NO. REVISIONS	DATE	BY	FILENAME: 1-0650M-E0009-001.dwg
CITY DRAWING NUMBER		SHEET	REV. SIZE
1-0650M-E0009		001	01 A1