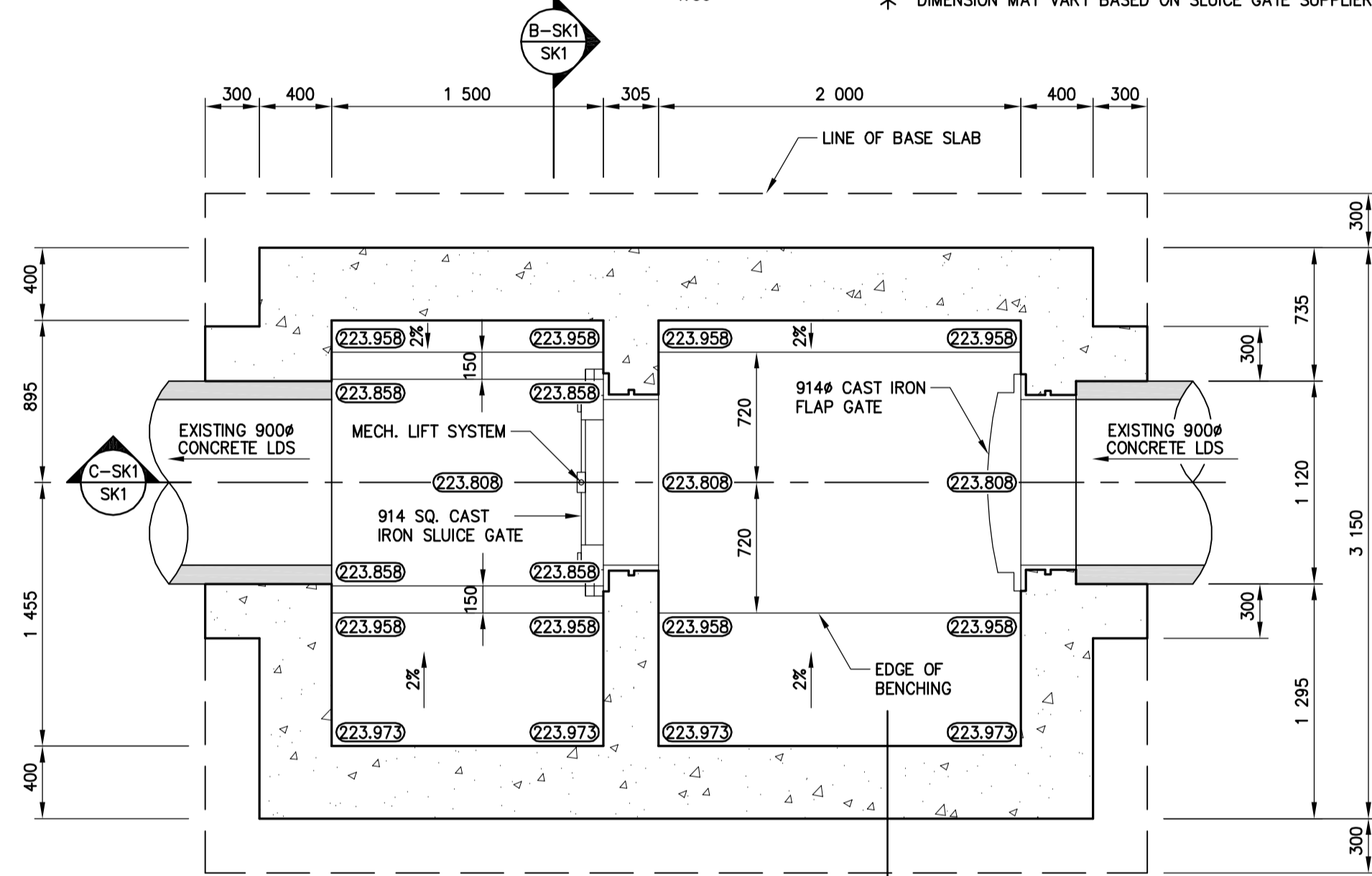
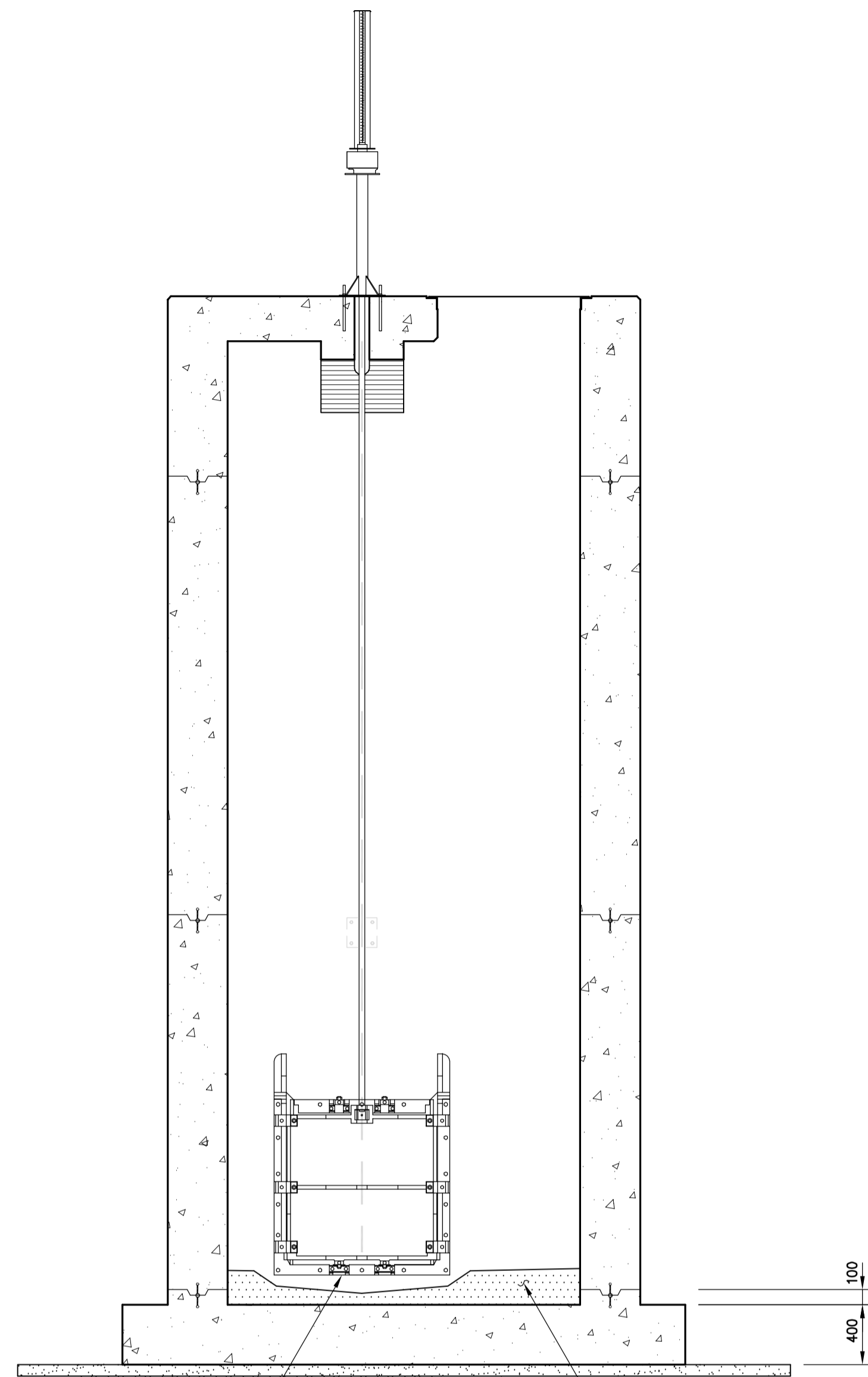


PLAN
1:30

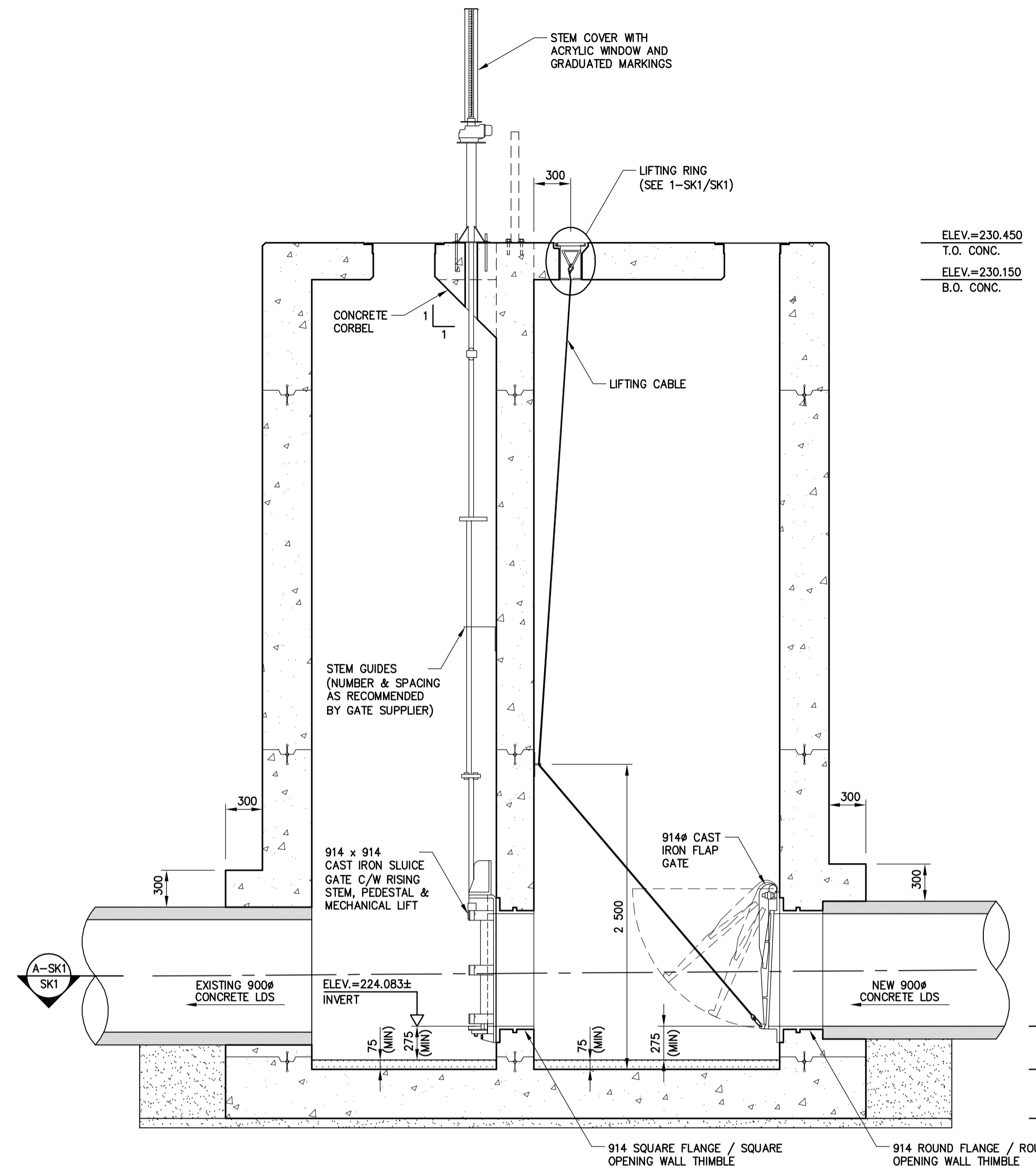
* DIMENSION MAY VARY BASED ON SLUICE GATE SUPPLIER



SECTION A-SK1
1:30

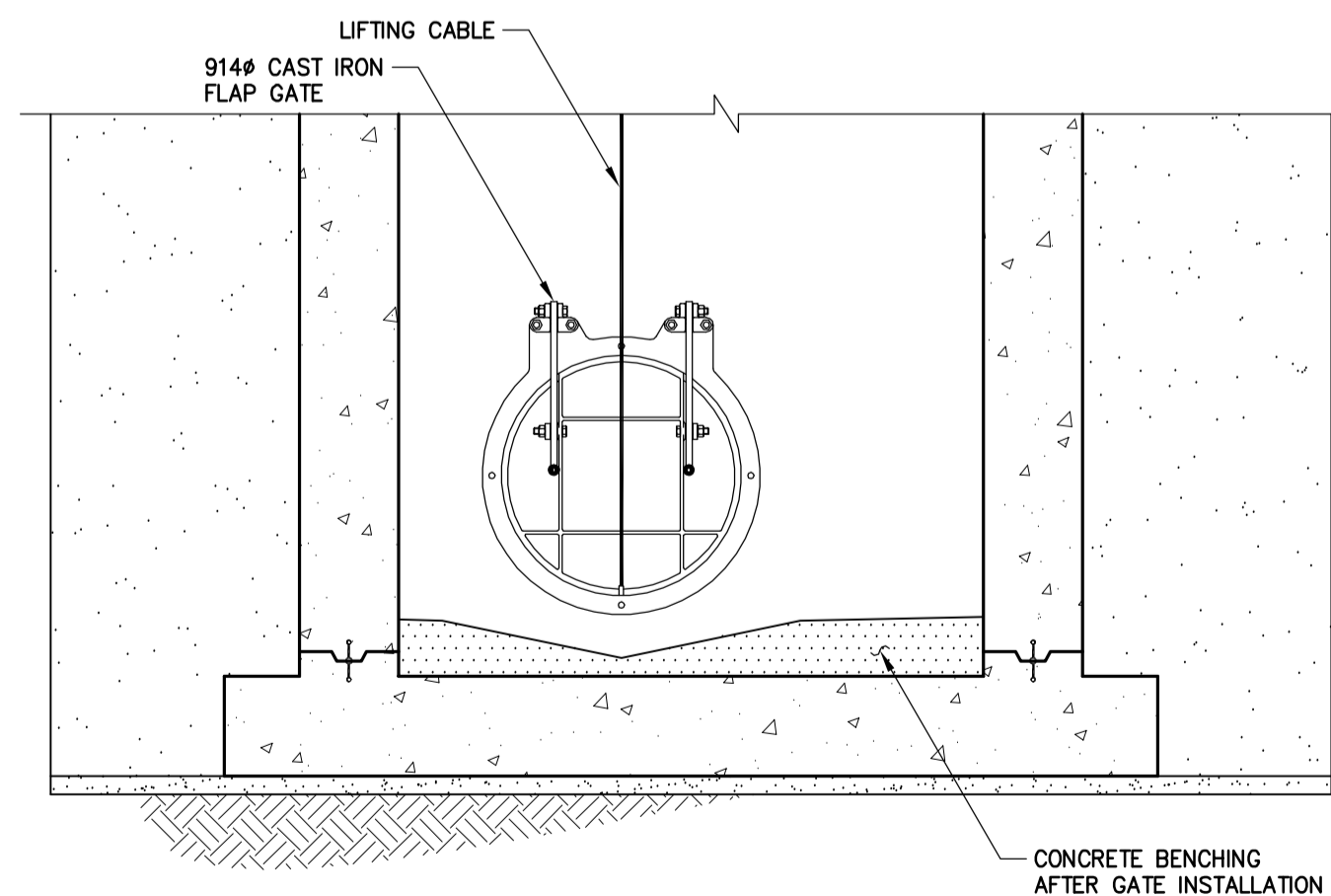


SECTION B-SK1
1:30

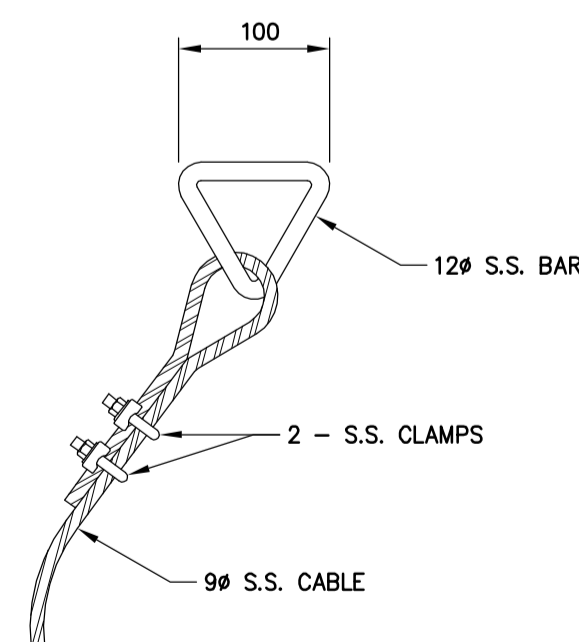


SECTION C-SK1
1:30

NOTE: CONTRACTOR SHALL CONFIRM ACTUAL PIPE INVERT AND NOTIFY CONTRACT ADMINISTRATOR OF ANY DISCREPANCY WITH THE INVERTS SHOWN. CONTRACTOR TO CONTACT CITY OF WINNIPEG, WATER AND WASTE DEPARTMENT, FOR CURRENT GROUNDWATER ELEVATION.



SECTION D-SK1
1:30



DETAIL I-SK1
1:5

A-B
C
A = DETAIL/SECTION No.
B = DRAWING WHERE SHOWN
C = DRAWING WHERE TAKEN

METRIC
WHOLE NUMBERS INDICATE MILLIMETRES
DECIMALIZED NUMBERS INDICATE METRES

				MMM Group Limited Suite 111 - 93 Lombard Ave. Winnipeg, MB R3B 3B1 T. 204.943.3178 F. 204.943.4948 www.mmm.ca		ENGINEER'S SEAL	
DESIGNED BY	-	CHECKED BY	GK				
DRAWN BY	CDP	APPROVED BY	-				
HOR. SCALE	AS NOTED	RELEASED FOR CONSTRUCTION	-				
VERT. SCALE	AS NOTED						
0 ISSUED FOR TENDER	09.08.10	GK		BID OPPORTUNITY: 619-2009 PLOT DATE: 09.56.10			
No.	REVISIONS	DATE	BY	DATE	08.11.13	DATE	-

THE CITY OF WINNIPEG
WASTE AND WATER DEPARTMENT

Winnipeg

OUTFALL GATE CHAMBER CONSTRUCTION AND UPGRADES
LOMBARD AVE. & WATERFRONT DR.
LDS OUTFALL GATE CHAMBER
FLAP AND SLUICE GATES

CONSULTANT DRAWING No.: 304.0908.SK1
SHEET 1 OF 1
CITY DRAWING No.: LD-5437

Aug 10, 2009 - 3:56pm
 C:\301-400\304\304_Bridges and Structures\Misc. Proposals\304.0908 Lombard Avenue & Waterfront Outfall Gate Chamber Construction & Upgrades\304.0908 lombard chamber gates 090807.dwg - Job:Lombard - Concrete

NOTE: These design documents are prepared solely for the use by the party with whom the design professional has entered into a contract and there are no representations of any kind made by the design professional to any party with whom the design professional has not entered into a contract.