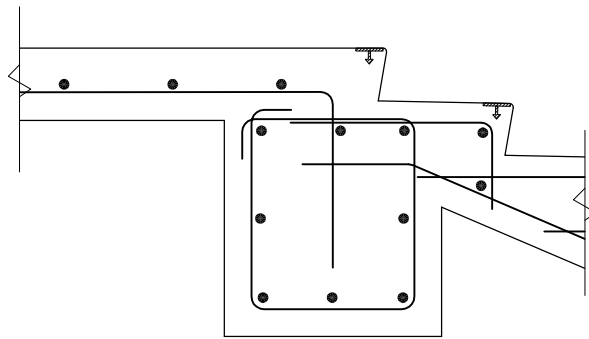
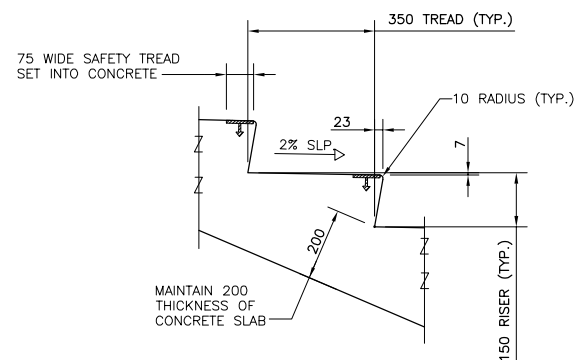


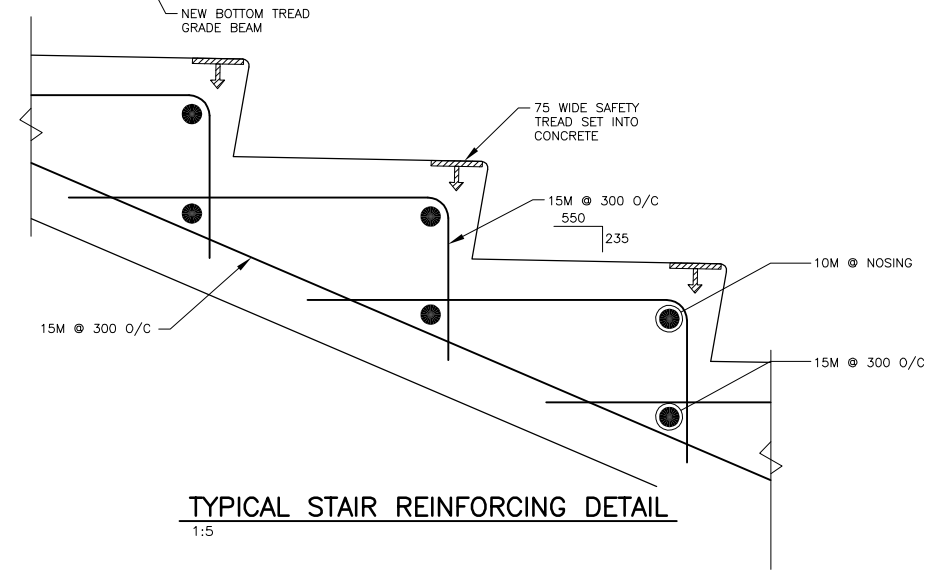
NEW CONCRETE STAIR DETAIL - STAIR 1
1:25



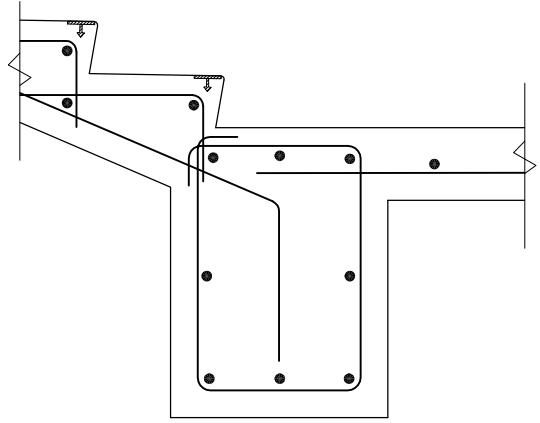
A TYPICAL TOP TREAD REINFORCING DETAIL
1: 10



TYPICAL CONCRETE STAIR DETAIL
1: 10



TYPICAL STAIR REINFORCING DETAIL
1:5



B TYPICAL BOTTOM TREAD REINFORCING DETAIL
1: 10

C TYPICAL CONCRETE STAIR DETAIL

B.M. ELEV.	DESIGNED BY	JCP
	DRAWN BY	JCP
	CHECKED BY	JSB
	REVIEWED BY	JSB
	HOR. SCALE	AS NOTED
	VERTICAL	
NO.	REVISIONS	DATE BY
		DATE AUGUST 2009

DILLON CONSULTING

RELEASED FOR CONSTRUCTION

ENGINEER'S SEAL

PROVINCE OF MANITOBA
REGISTERED PROFESSIONAL ENGINEER
J.S. BETKE
SEPT. 4, 2009
Member 22412

CONSULTANT PROJECT NO.
05-5069-4000

THE CITY OF WINNIPEG
PUBLIC WORKS DEPARTMENT

Winnipeg

MARYLAND TWIN BRIDGES REHABILITATION PROJECT
MAJOR REPAIRS TO NORTH END PEDESTRIAN RAMPS AND STAIRS

CONCRETE STAIR DETAILS
SHEET 1 OF 2

CITY DRAWING NUMBER
B108-09-02
SHEET 03 OF 09

BID OPPORTUNITY
630-2009

U:\101\101001\101001\101001.DWG. DATE: 10/11/09 10:11 AM