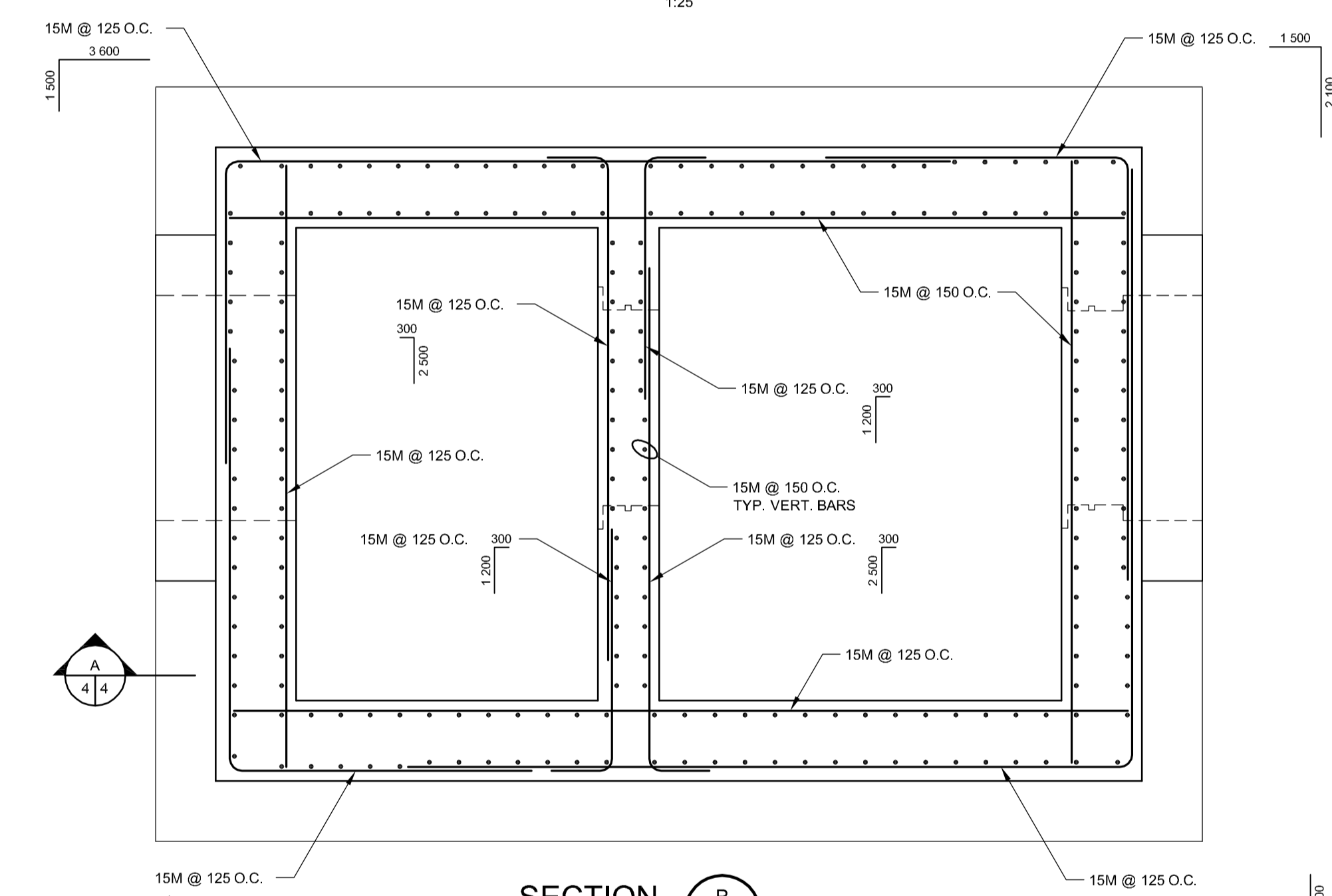
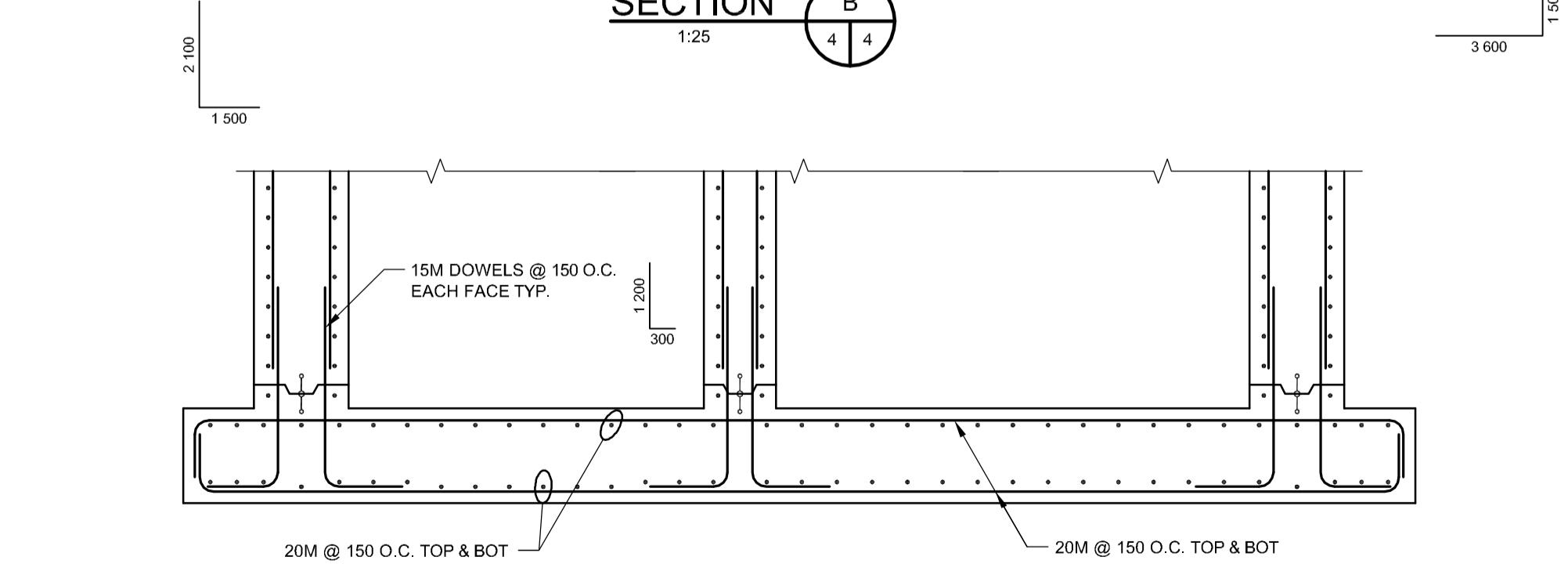


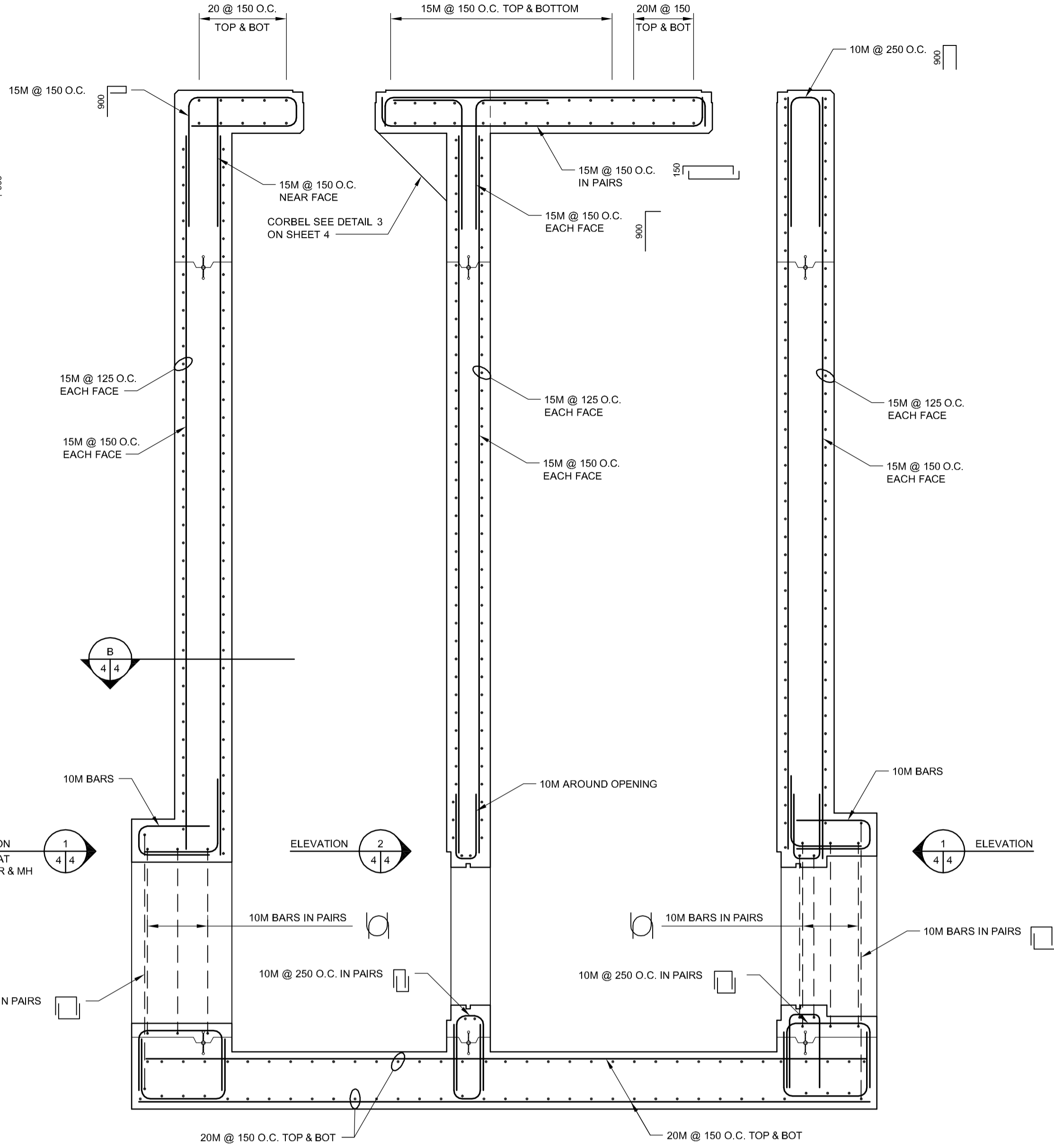
ROOF SLAB REINFORCING PLAN
1:25



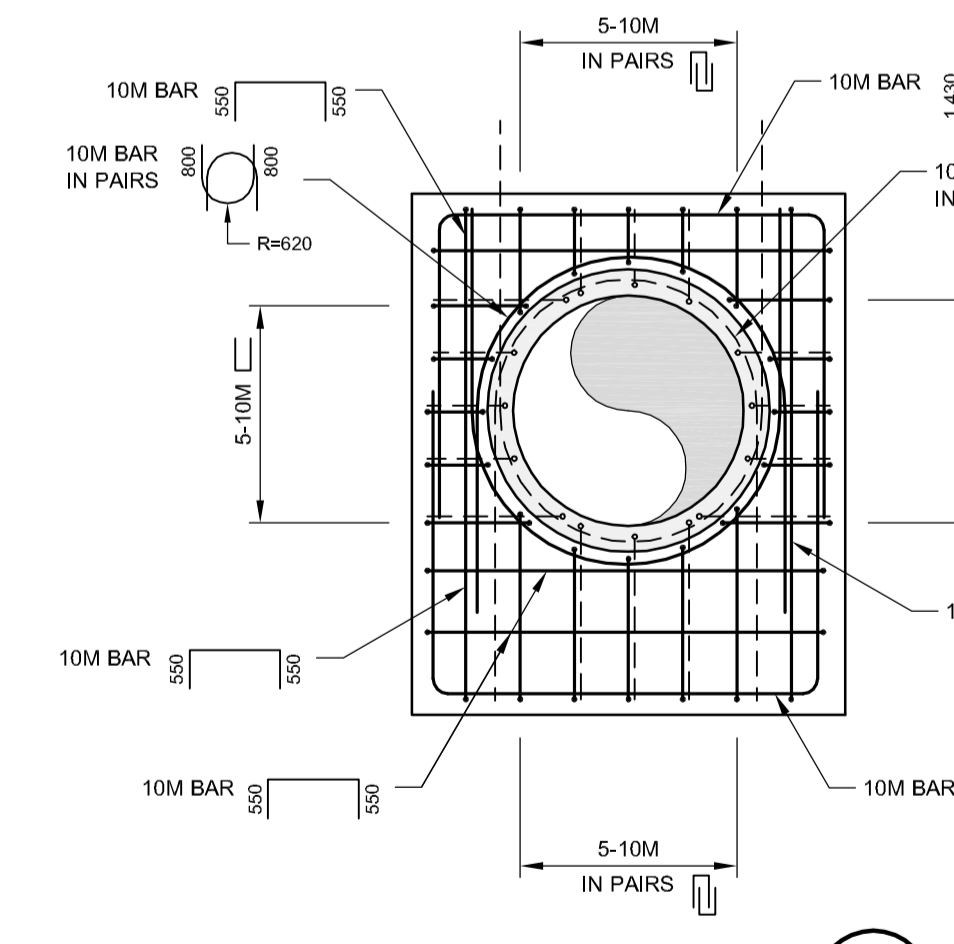
SECTION B
1:25



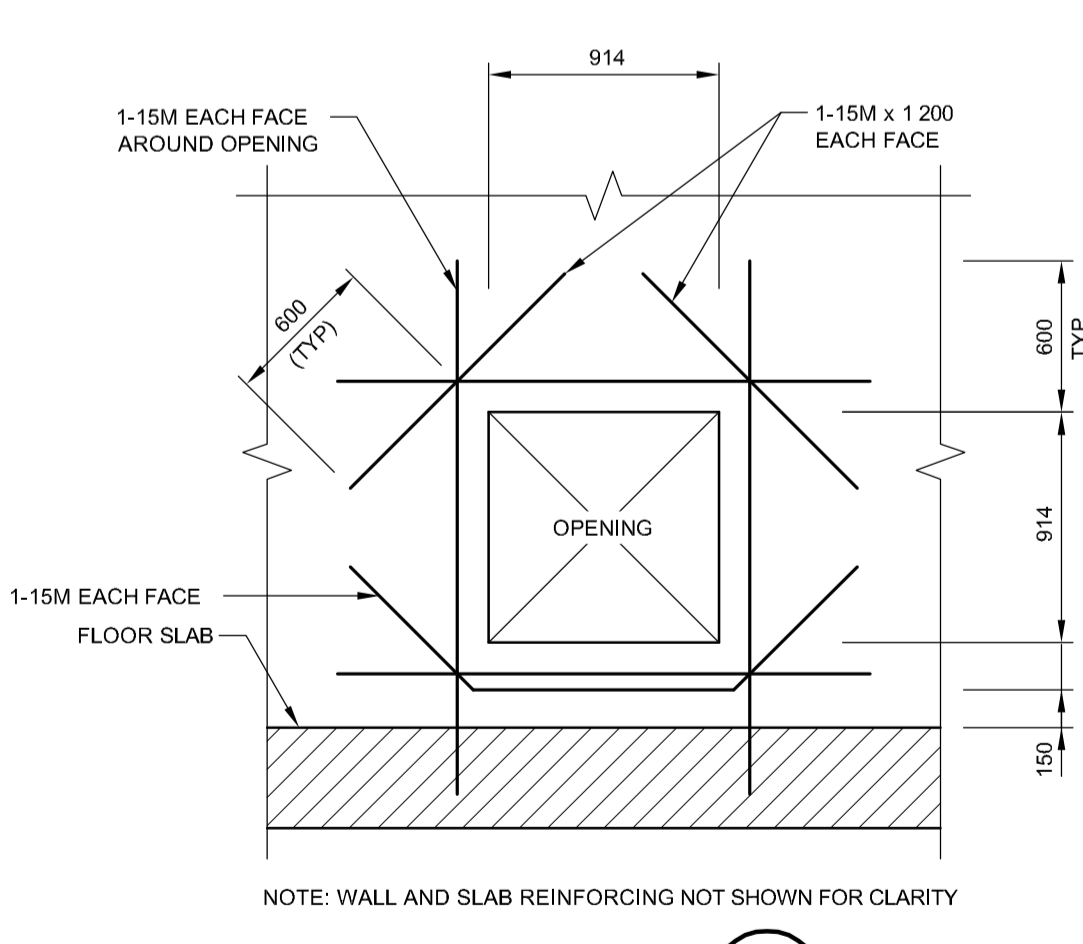
SECTION C
1:25



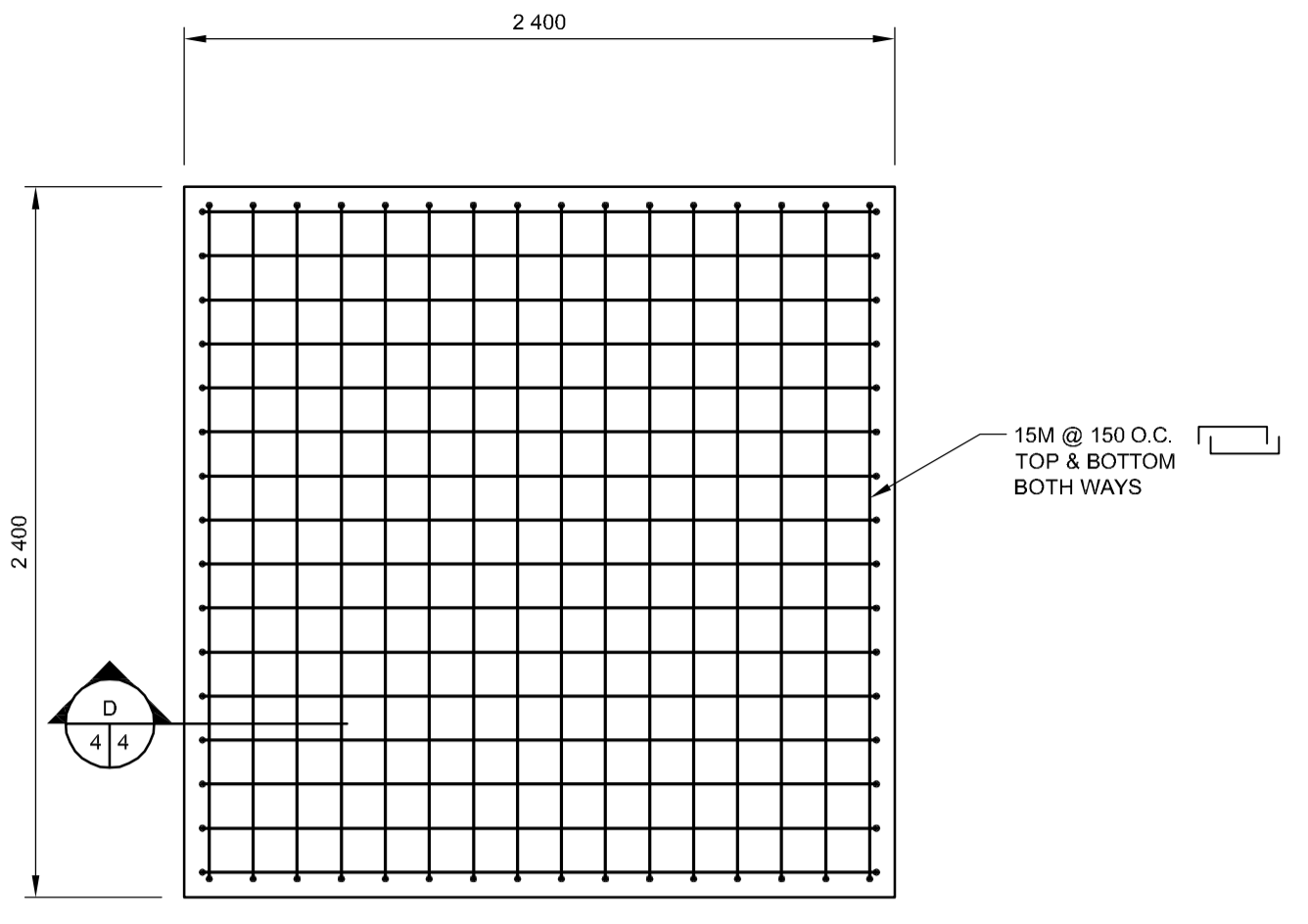
SECTION A
(THROUGH C. OF PIPE)
1:25



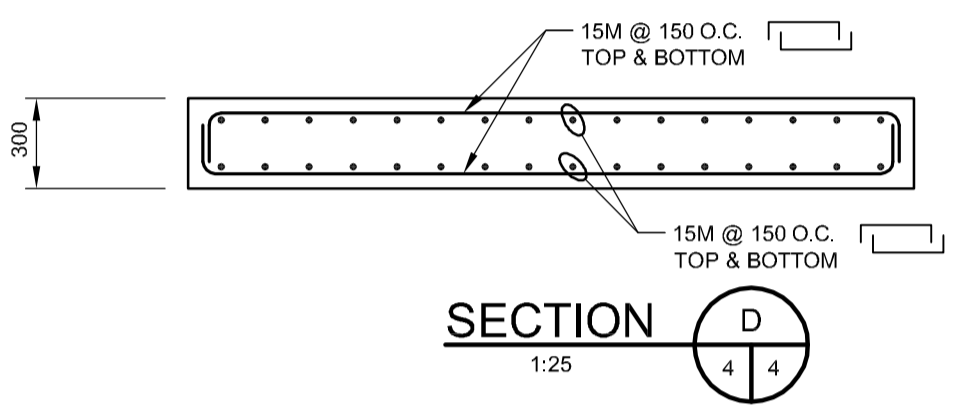
ELEVATION 1
(SIMILAR AT MANHOLE)
1:30



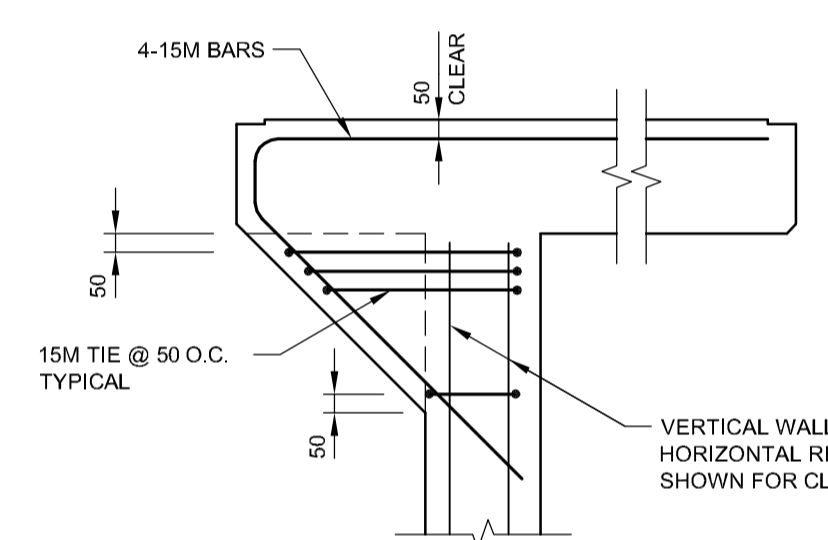
ELEVATION 2
1:30



MANHOLE FLOOR PLAN
1:25

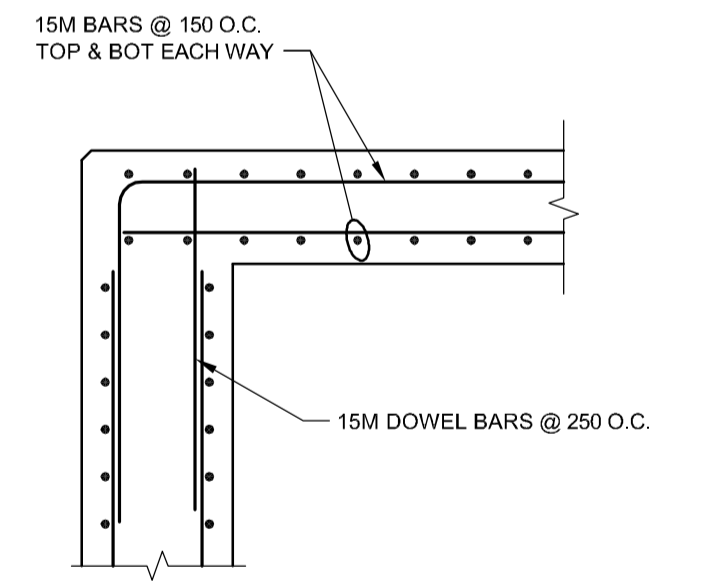


SECTION D
1:25

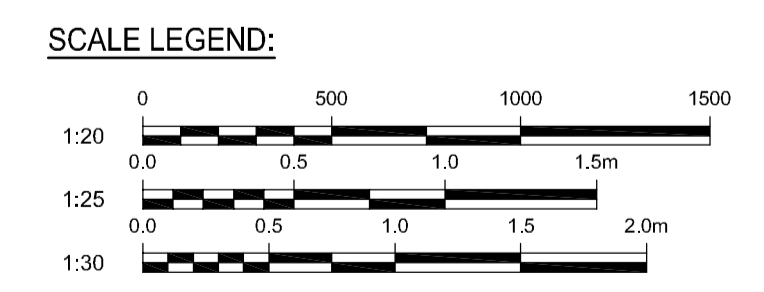


NOTE: ROOF SLAB REINFORCING NOT SHOWN FOR CLARITY

DETAIL 3
1:20



SECTION E
1:20



Last saved: September 18, 2009, 3:52 PM by: PETERSON, C. M. Drawing: MMM - Drawings - 5509090 - Lombard gate chamber, S2 to S5 chamber detail, 090918.dwg
 P:\55090901-55090909\55090909-000-Lombard Avenue & Waterfront Drive, Outfall Gate Chamber Construction & Upgrade\MM - Drawings\5509090 - Lombard gate chamber, S2 to S5 chamber detail, 090918.dwg

NOTE:
These design documents are prepared solely for the use by the party with whom the design professional has entered into a contract and there are no representations of any kind made by the design professional to any party with whom the design professional has not entered into a contract.



METRIC
WHOLE NUMBERS INDICATE MILLIMETRES
DECIMALIZED NUMBERS INDICATE METRES

DESIGNED BY		GK		CHECKED BY		GK	
DRAWN BY		CDP		APPROVED BY		JPL	
HOR. SCALE		AS NOTED		RELEASED FOR CONSTRUCTION		ORIGINAL SIGNED BY	
VERT. SCALE		AS NOTED		K. ZUREK, P. ENG.			
0	ISSUED FOR TENDER	09.09.18	GK				
No.	REVISIONS	DATE	BY	DATE	09.09.18	DATE	09.09.18



THE CITY OF WINNIPEG
WASTE AND WATER DEPARTMENT

Winnipeg

OUTFALL GATE CHAMBER CONSTRUCTION
LOMBARD AVE. & WATERFRONT DR.
LDS OUTFALL GATE CHAMBER

REINFORCING DETAILS

CONSULTANT DRAWING No.: 5509090-S4
SHEET 4 OF 6
CITY DRAWING No.: LD-5441

BID OPPORTUNITY: 632-2009
PLOT DATE: 09.03.18