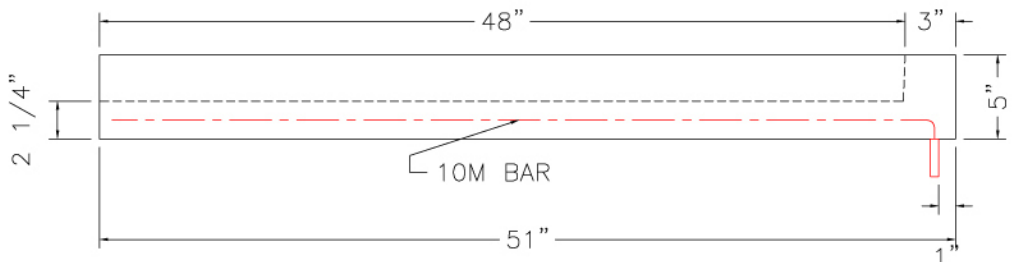
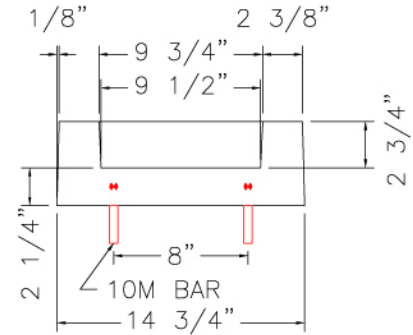


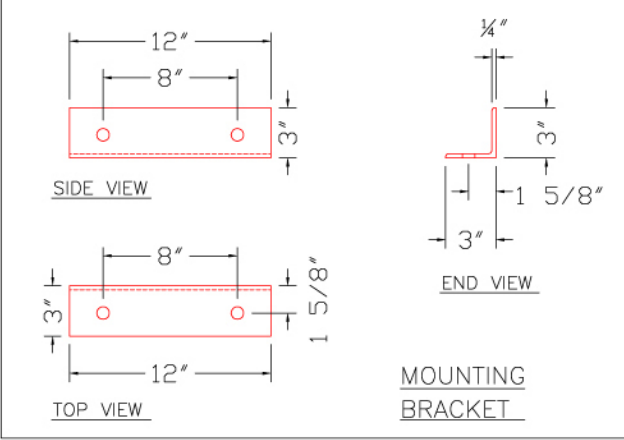
TOP VIEW



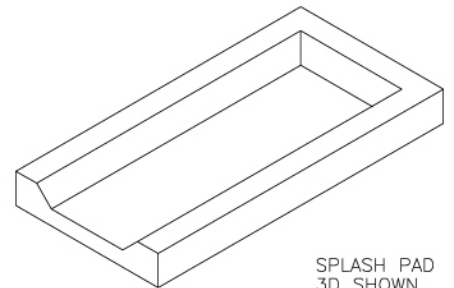
SIDE VIEW



END VIEW



MOUNTING BRACKET



SPLASH PAD
3D SHOWN
N.T.S.

WEIGHT OF SPLASH PAD = 212 lbs.

PROJECT		51" SPLASH PAD	
DWG. TITLE		DWG. No.	2
DATE	SCALE	SHEET No.	REV.
04/08/03	AS NOTED	A	0
DRAWN	CHECKED		
EB	CS		



**Barkman
Concrete Ltd.**

HEAD OFFICE: Box 1179, Steinbach, Man. ROA 2A0 Ph. (204)-326-3445
WPG. OFFICE: 909 Gateway Rd. Winnipeg, Manitoba Ph. (204)-667-3310