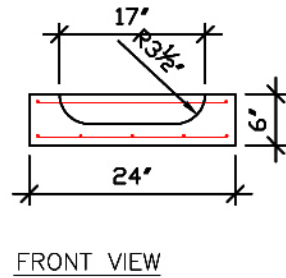
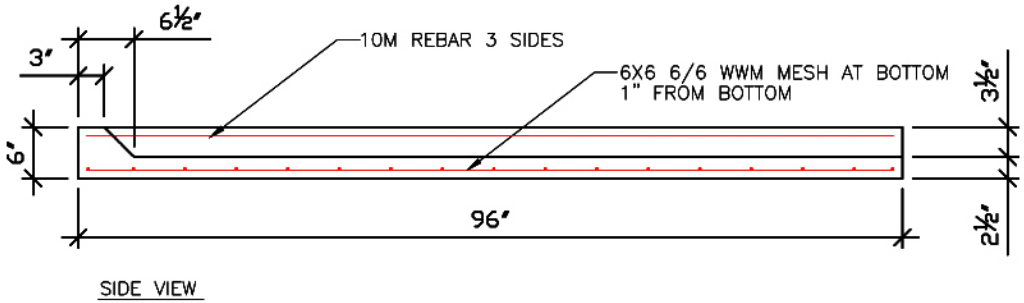
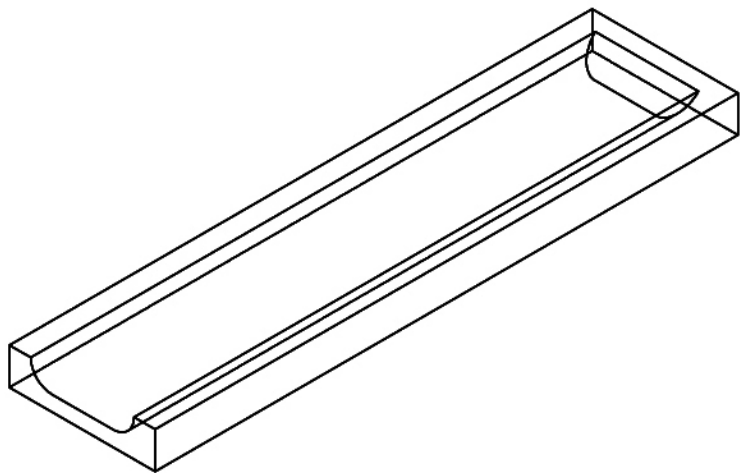
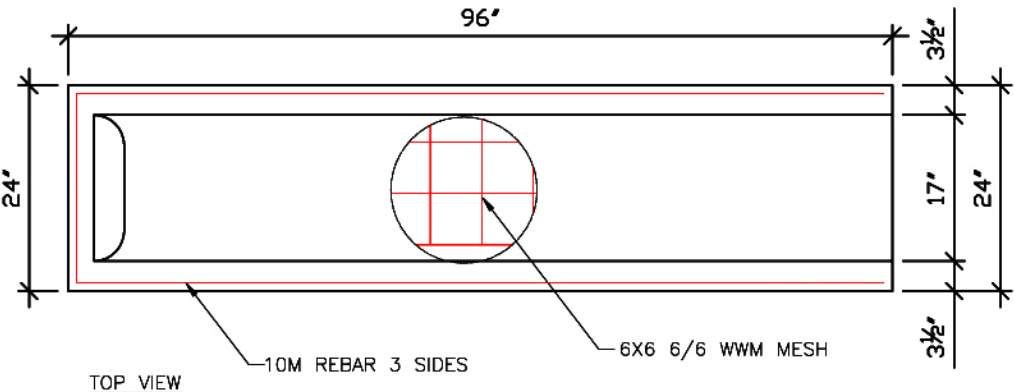


1 2 3 4 5 6 7 8 9 10 11 12 13 14

A  
B  
C  
D  
E  
F  
G  
H  
I



ZONE	REV.	DESCRIPTION	DATE



Manufactured by Barkman Concrete Ltd.  
 909 Gateway Road, Winnipeg, Manitoba Canada  
 www.barkmanconcrete.com  
 Office: 1-800-342-2879  
 Fax: (204) 663-4854

Project		96" SPLASH PAD	
Drawing Title	DETAILS	Dwg. No.	3
Date	12/19/05	Scale	1/2" = 1'-0"
Designed/Drawn	C.L.	Checked	CS
		Sheet No.	A
		Rev	0

1 2 3 4 5 6 7 8 9 10 11 12 13 14