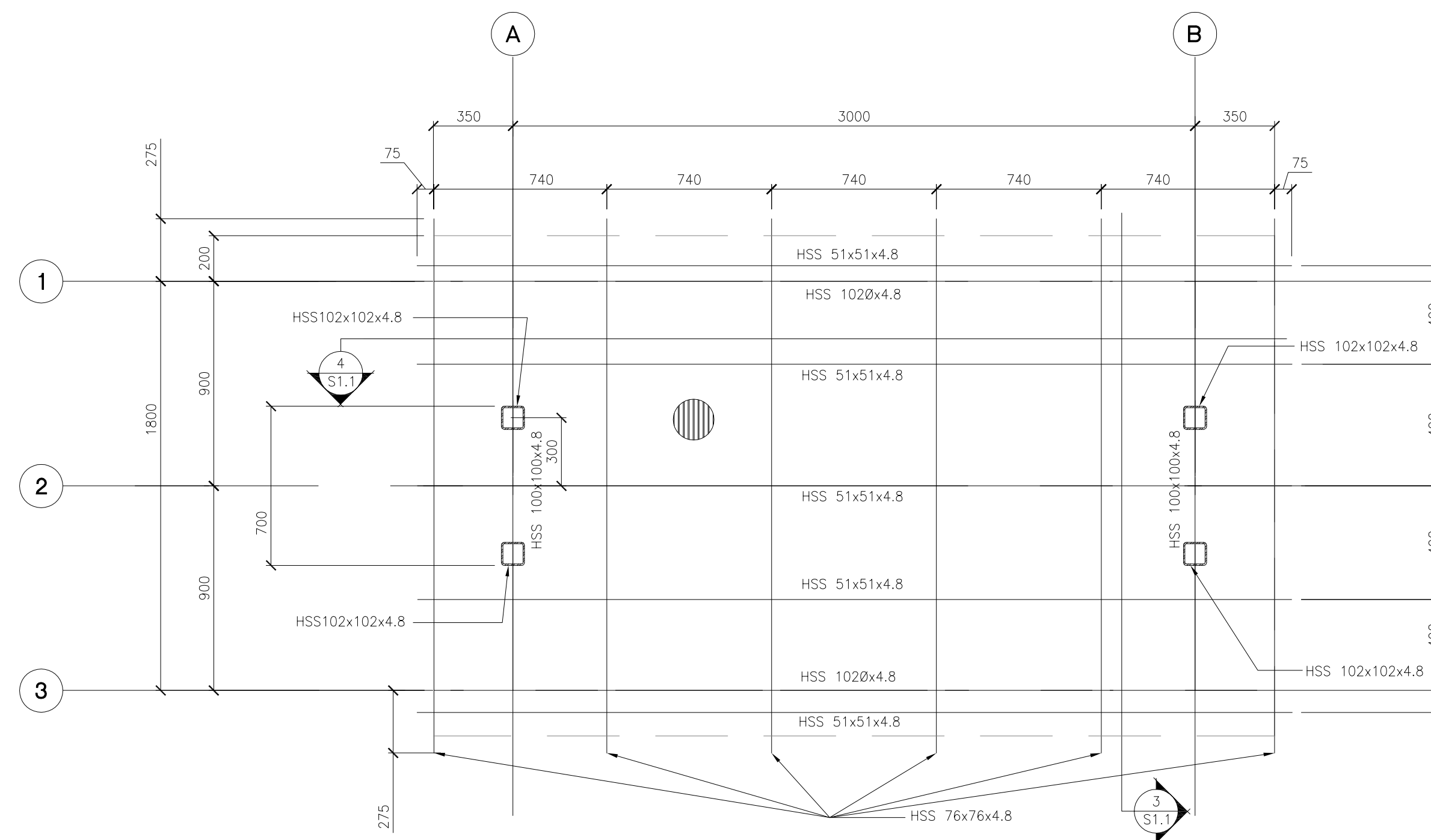


1 FOUNDATION PLAN
SCALE: 120



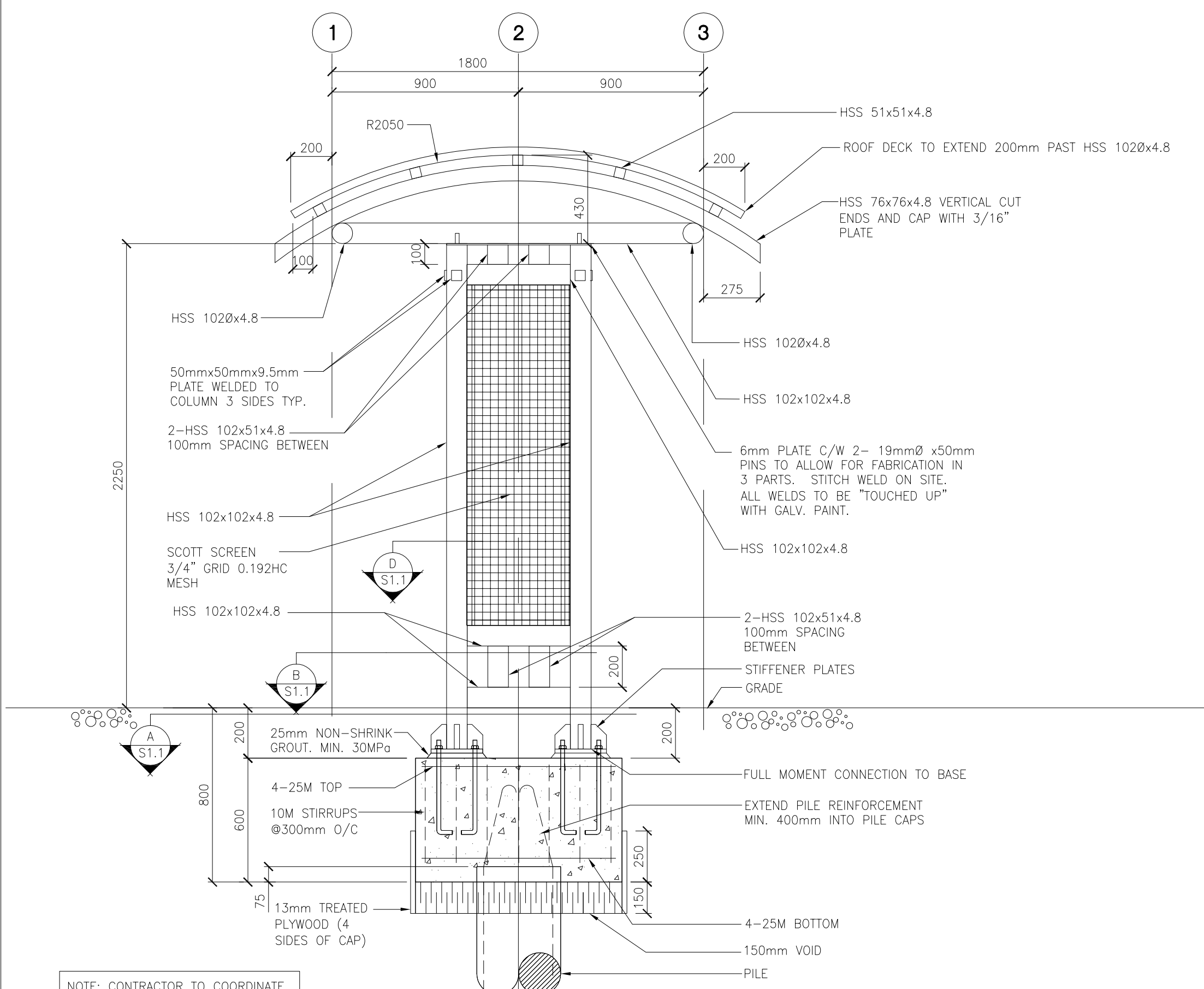
2 FRAMING PLAN
SCALE: 120

PILE SCHEDULE				
MARK	PILE Ø (mm)	PILE LENGTH (m)	REINFORCEMENT	T/O PILE
P1	400	6.096m (20')	6-20M VERTICAL 10M RINGS 200mm O/C	SEE SECT.

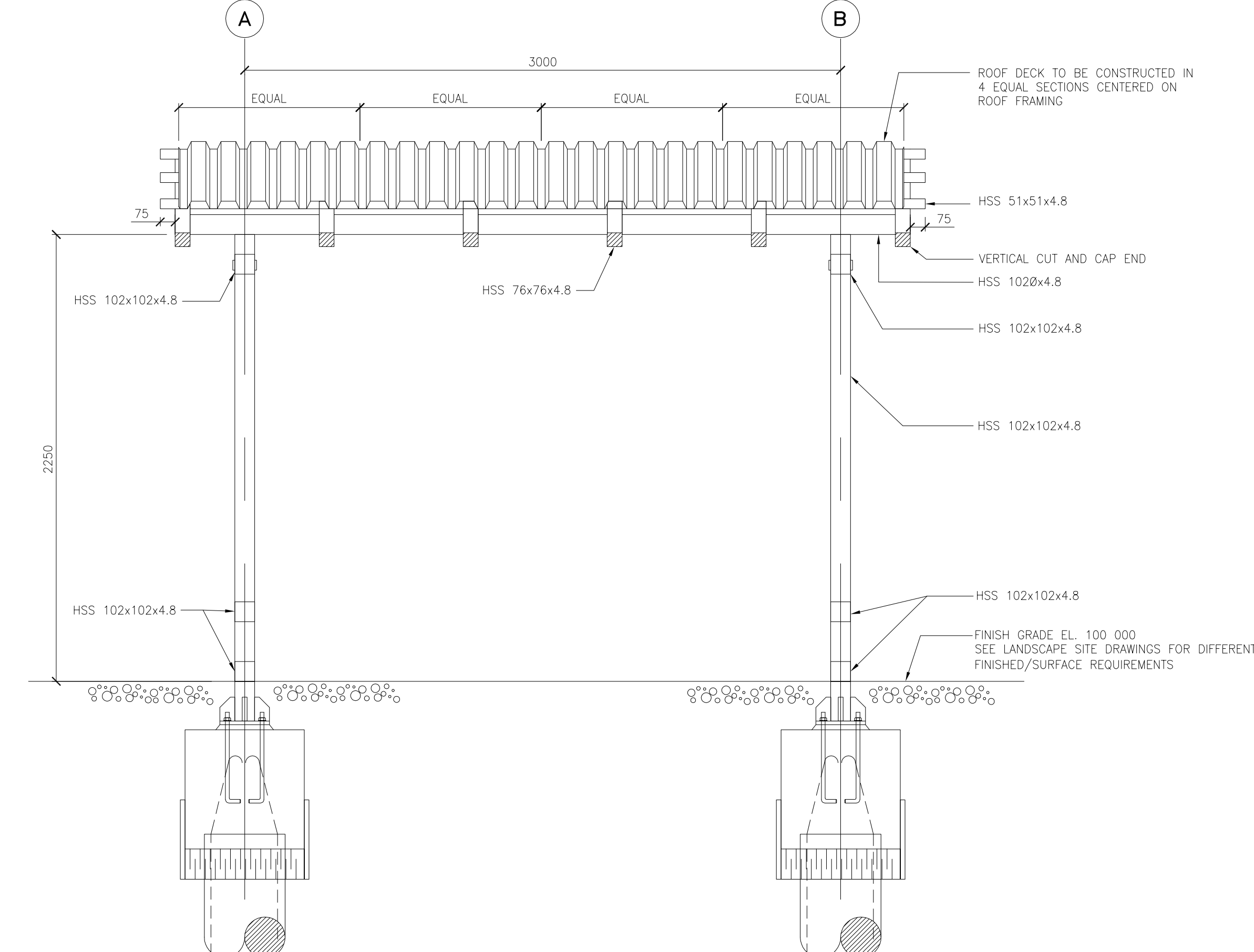
-VICWEST CC 725 38mm x 0.76mm (22 Gg.) GALVALUME PLUS COATED BOTH SIDES
 -STEEL DECK TO BE FASTENED AT 12" O/C ALONG ALL STRUCTURAL STEEL MEMBERS, AND ALONG OVERLAPPING JOINTS WITH STAINLESS STEEL NUMBER 12 SELF TAPPING SCREWS COMPLETE WITH RUBBER WASHERS.
 -ADD SILICONE TO ALL DECK JOINTS SEE DETAIL C/S-1.1

-REINFORCEMENT TO BE FULL LENGTH OF PILE
 -EXTEND PILE REINFORCEMENT 400mm INTO PILE CAPS
 -ADD 2 RINGS IN TOP 610mm OF PILE
 -DESIGN BASED ON SKIN FRICTION = 14.4 kPa (300 PSF)
 -PROVIDE CASING AS REQUIRED TO CONTROL SLOUGHING AND WATER SEEPAGE
 -PILE INSTALLATION TO BE INSPECTED BY A GEOTECHNICAL ENGINEER IN EMPLOY OF THE OWNER DURING CONSTRUCTION.
 -PROVIDE 150mm VOID BELOW PILE CAPS TYPICAL VOID TO BE CARDBOARD OR COMPRESSIBLE POLYSTYRENE PRODUCT
 -BACKFILL EXCAVATION WITH 19mmØ CRUSHED LIMESTONE IN 150mm LIFTS

STRUCTURAL STEEL FINISH NOTE:
 -ALL STRUCTURAL STEEL TO BE HOT DIPPED GALVANIZED.
 -TOUCH UP EDGES OF SITE TRIMMED STEEL DECK/STEEL WITH COLD GALVANIZING COMPOUND (ZRC OR GALVACON).
 -ALL GALVANIZING VENT HOLES TO BE PLACED FACING DOWN AND WELDED CLOSED AND PAINTED.
 -CAP ALL OPENINGS WITH 3/16" PLATE AND WELDED CLOSED

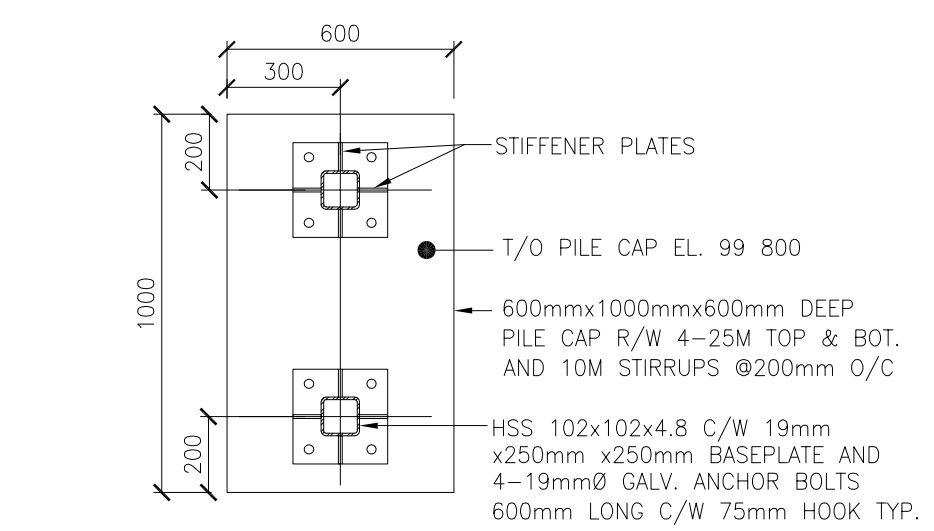


3 SECTION
SCALE: 120

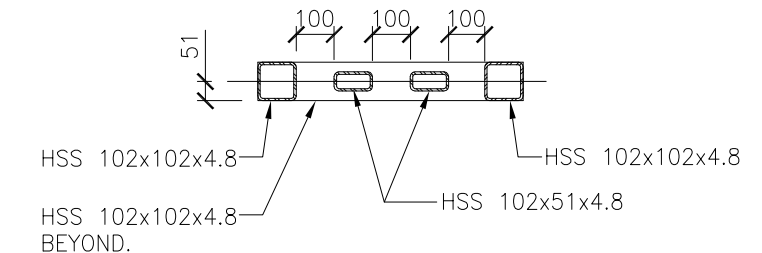


4 SECTION
SCALE: 120

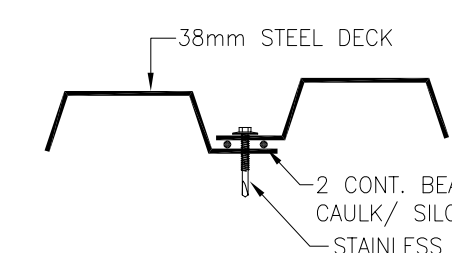
NOTE: CONTRACTOR TO COORDINATE RADIUS OF ROOF DECK WITH ROOF FRAME. RADIUS OF ROOF DECKING TO BE 2000mm.



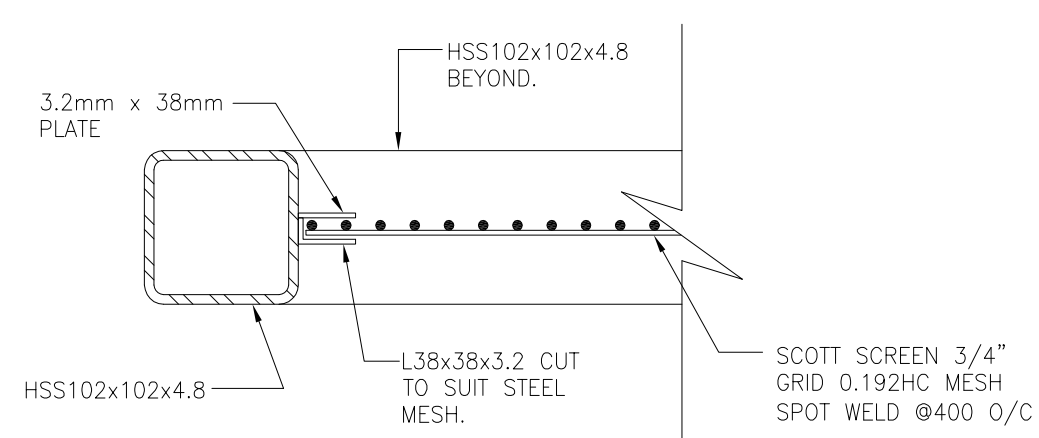
A DETAIL
SCALE: 120



B DETAIL
SCALE: 120



C DETAIL
SCALE: 15



D DETAIL
SCALE: 15

ORIGINAL STAMPED BY: N. MARTINEZ, P. ENG.
DATE: 2009.09.10

NO.	REVISIONS	DATE	BY
3.	ISSUED FOR TENDER AND CONSTRUCTION	09/10/09	LZ
2.	ISSUED FOR OWNERS REVIEW	08/05/09	LZ
1.	ISSUED FOR REVIEW	08/04/09	LZ

CONSULTANT
 These design documents are prepared solely for the use by the party with whom the design professional has entered into a contract and there are no representations of any kind made by the design professional to any party with whom the design professional has not entered into a contract. Any use of the drawing, disk, or electronic data without the expressed written permission of Tower Engineering Group is strictly prohibited. The contractor is responsible to verify all dimensions with conditions on the site and report discrepancies to Tower Engineering for adjustment. All prints to be returned.

TOWER ENGINEERING GROUP
 TOWER PROJECT NO. : 9200
 208 - 897 CORYDON AVE. WINNIPEG, MB R3M 0W7
 TEL: (204) 925-1150 FAX: (204) 925-1155
 EMAIL: towereng@towereng.ca WEB: www.towereng.ca

SEAL	SEAL

PROJECT
TRAILHEAD SHELTER
WINNIPEG, MB

DRAWING
FOUNDATION PLAN, FRAMING PLAN,
SECTIONS AND DETAILS

DESIGNED:	LZ	DRAWING NO. S1.1
DRAWN:	LZ	
CHECKED:	NM	
SCALE:	AS NOTED	
DATE:	08/05/09	
PROJECT NO.:	9200	REVISION

APEGM
 Certificate of Authorization
 Tower Engineering Group
 No. 4156 Expiry: April 30, 2010