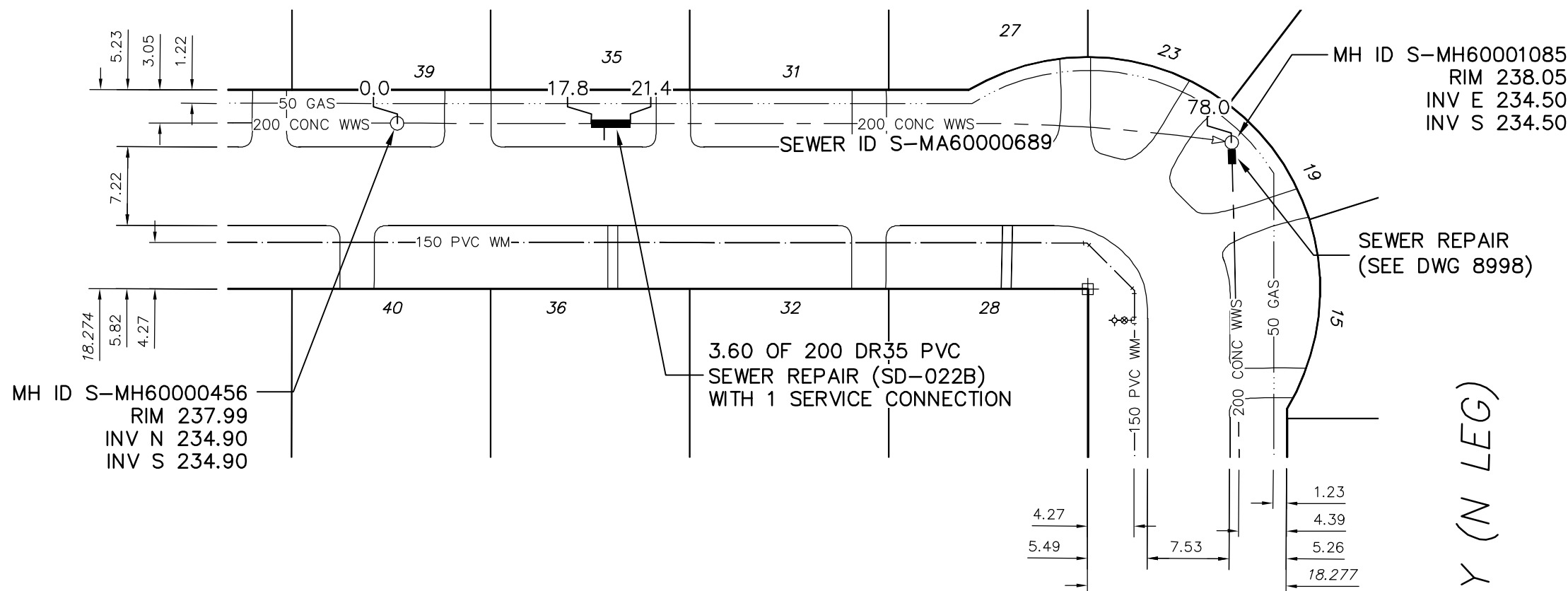


NOTES:

1. BACKFILL UNDER PAVEMENT, IN SIDEWALKS, & WITHIN 1.0 m OF PAVEMENT TO BE CLASS 3.
2. CONFIRM LIMITS OF REPAIR IN PRESENCE OF THE CONTRACT ADMINISTRATOR BY CCTV.



ALDER BAY (W LEG)



SEWER JUNCTION INFORMATION FROM SEWER VIDEO INSPECTION SEWER ID S-MA60000689			
DISTANCE FROM MH ID S-MH60000456			
19.0	N	150ø	EAST CX

ENGINEER'S SEAL

ORIGINAL
SIGNED BY
S.R.J.
COURNOYER
09/09/16

BID OPPORTUNITY: 669-2009
FILENAME : 8999.dwg
PLOT DATE : 2009 09 17

LEGEND:

52.0 | MEASUREMENT TO REPAIR FROM REFERENCE MH SHOWN THUS...

METRIC
WHOLE NUMBERS INDICATE MILLIMETRES
DECIMALIZED NUMBERS INDICATE METRES

B.M. ELEV.	FIELD BOOK #:	CITY OF WINNIPEG WATER AND WASTE ENGINEERING DIVISION		THE CITY OF WINNIPEG WATER AND WASTE DEPARTMENT	
POSTED TO LBIS		DESIGNED BY: AMC	CHECKED BY: SC	2009 SEWER REPAIRS CONTRACT 45	
		DRAWN BY: C.J.H.	APPROVED BY: K.Z.	ALDER BAY (W LEG)	
		HOR. SCALE 1:500	RELEASED FOR CONSTRUCTION	1ST MH S OF ALDER BAY (N LEG) TO MH AT ALDER BAY (N LEG)	
		VERTICAL		SHEET 2 OF 23	
NO.	REVISIONS	DATE	BY	CITY DRAWING NUMBER	
		DATE 2009 09 17		8999	