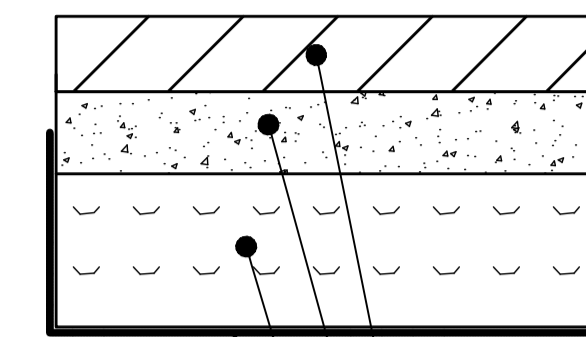


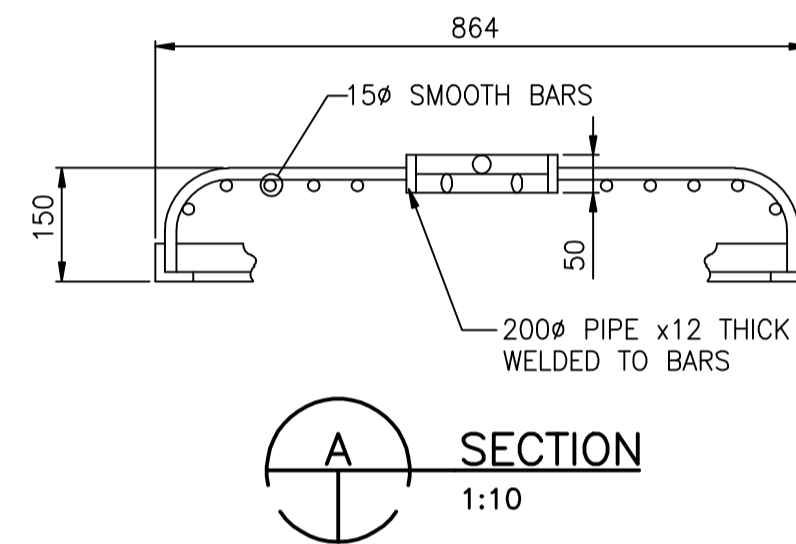
NOTES:  
DITCH INLET GRATE IS SHOPOST IRONWORKS MK A1 OR APPROVED EQUAL.  
GALVANIZE ENTIRE ASSEMBLY AFTER FABRICATION.

PLAN OF DITCH INLET GRATE  
SCALE 1:10

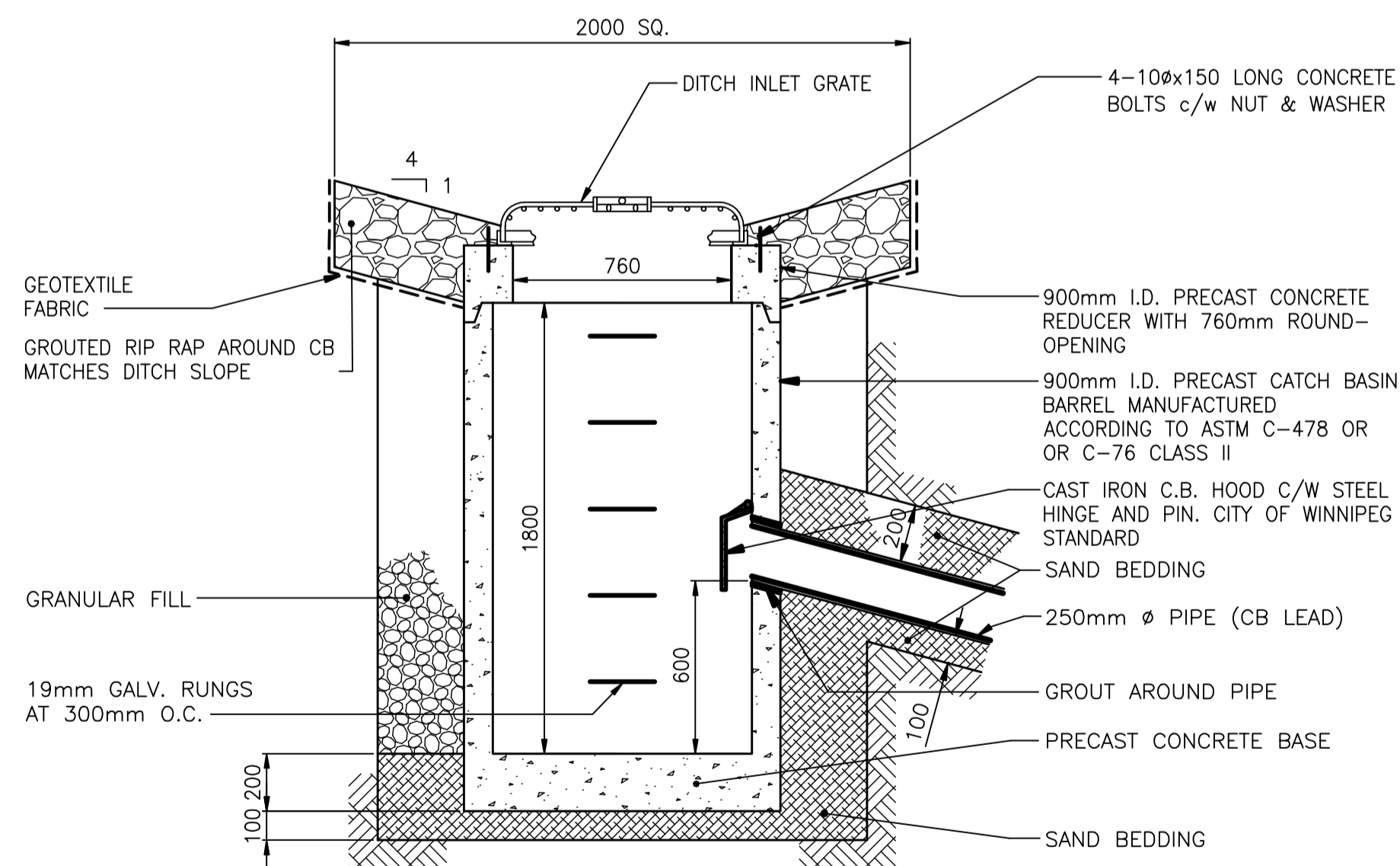


TEMPORARY PAVEMENT AS PER CW 3310  
75mm OF 19mm LIMESTONE  
300mm OF 50mm LIMESTONE  
GEOTEXTILE

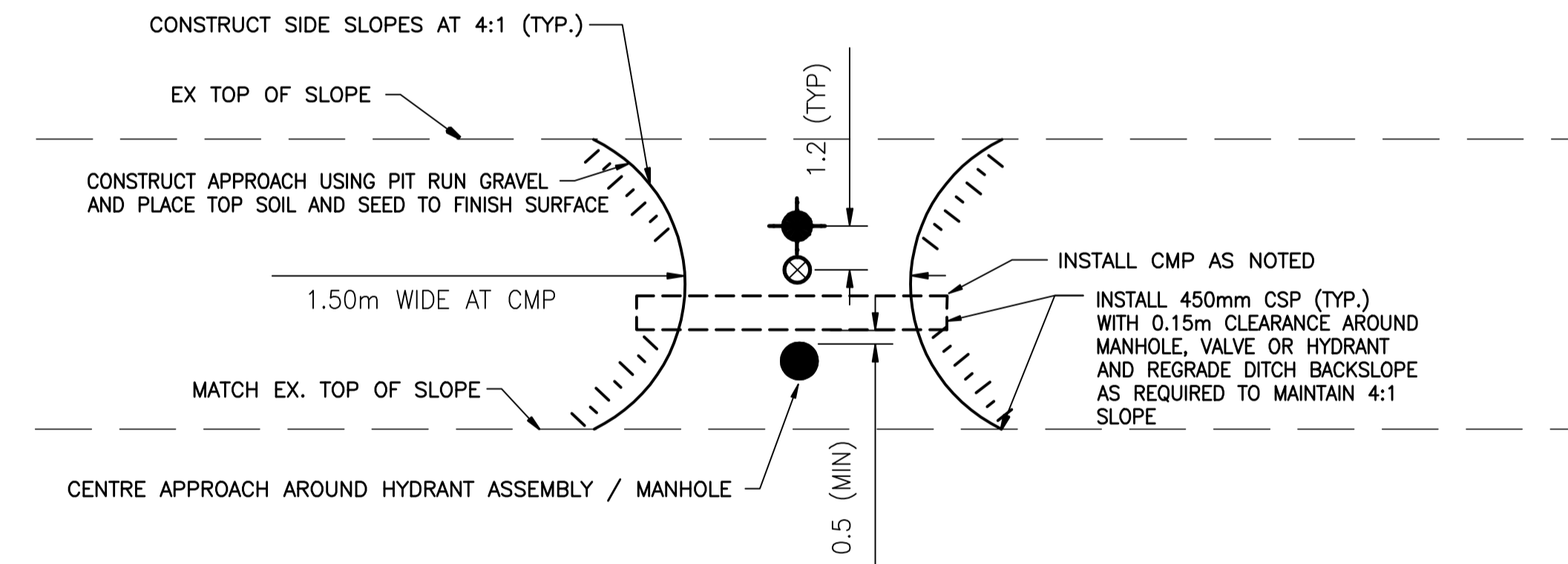
TYPICAL FULL DEPTH ROAD PATCHING DETAIL  
NTS



SECTION A-A  
1:10



TYPICAL DITCH INLET CATCHBASIN DETAIL  
SCALE 1:25



TYPICAL HYDRANT / MANHOLE APPROACH DETAIL  
SCALE N.T.S.

METRIC  
WHOLE NUMBERS INDICATE MILLIMETRES  
DECIMALIZED NUMBERS INDICATE METRES

BID OPPORTUNITY 678-2009



LOCATION APPROVED UNDERGROUND STRUCTURES		B.M. 64-040 ELEV. 231.890 m
SUPV. U/G STRUCTURES COMMITTEE	DATE	
NOTE: LOCATION OF UNDERGROUND STRUCTURES AS SHOWN ARE BASED ON THE BEST INFORMATION AVAILABLE BUT NO GUARANTEE IS GIVEN THAT ALL EXISTING UTILITIES ARE SHOWN OR THAT THE GIVEN LOCATIONS ARE EXACT. CONFIRMATION OF EXISTENCE AND EXACT LOCATION OF ALL SERVICES MUST BE OBTAINED FROM THE INDIVIDUAL UTILITIES BEFORE PROCEEDING WITH CONSTRUCTION.		
NO.	REVISIONS	DATE BY

Stantec Consulting Ltd. 905 Waverley Street, Winnipeg, Manitoba Tel 204-489-5900 Fax 204-453-9012	
DESIGNED BY J.K.H.	CHECKED BY H.A.K.
DRAWN BY B.K.W.	APPROVED BY H.A.K.
HOR. SCALE: 1:250 VERTICAL: 1:50	RELEASED FOR CONSTRUCTION: DATE 09.08.07

ENGINEER'S SEAL
CONSULTANT DRAWING NO. C-501

THE CITY OF WINNIPEG  
WATER AND WASTE DEPARTMENT  
ENGINEERING DIVISION

KNOWLES AVENUE  
DITCH CATCHBASIN DETAILS,  
ROAD PATCHING SECTION AND  
HYDRANT / MANHOLE APPROACH DETAIL

SHEET 8 OF 8
CAD FILE DRAWING NUMBER 11730C-501-712.dwg
CITY DRAWING NUMBER D-11871

W:\11730\Drawings\11730\_0000\11730\_0000.dwg  
 2010-02-15 09:53AM By: jhms