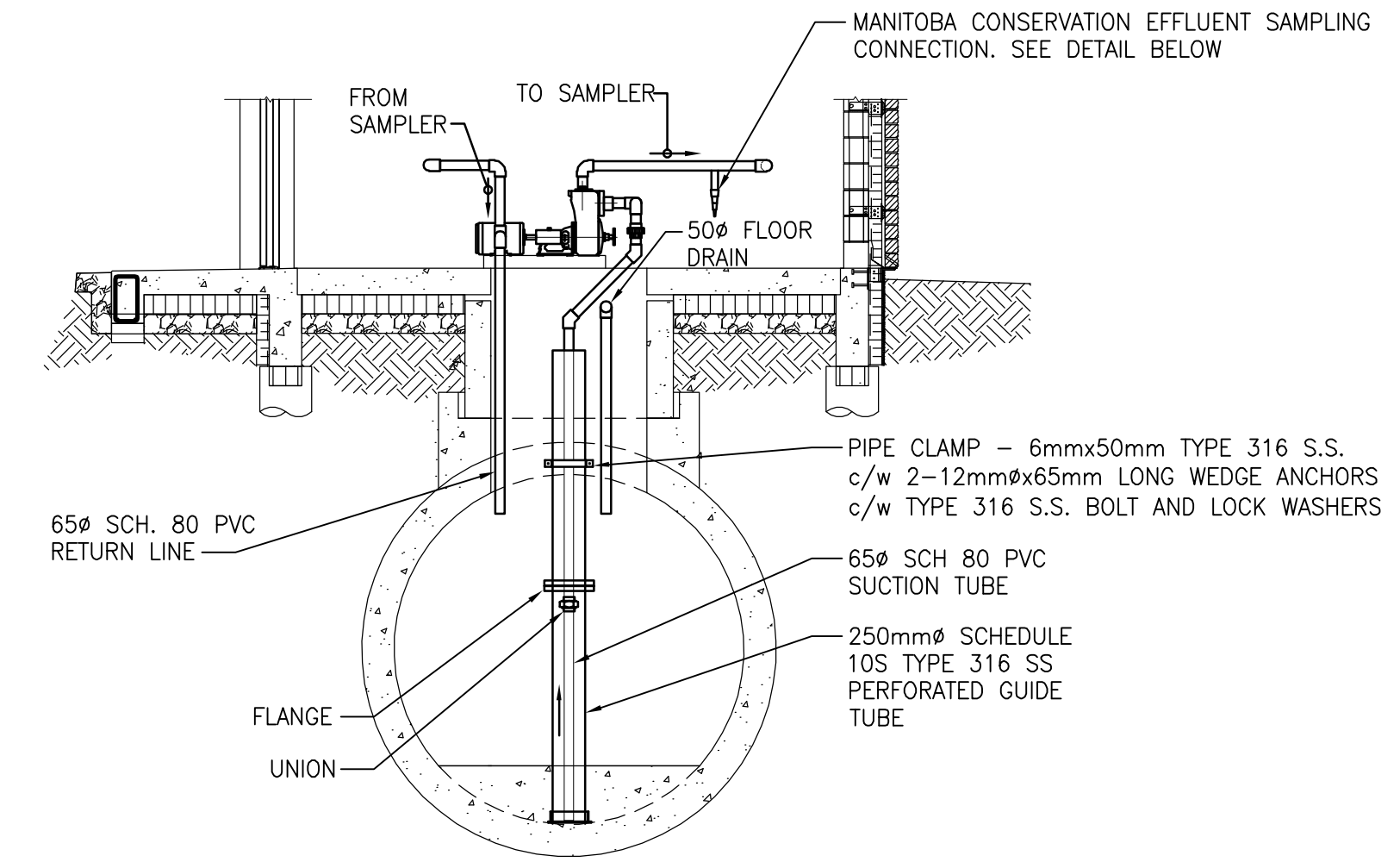


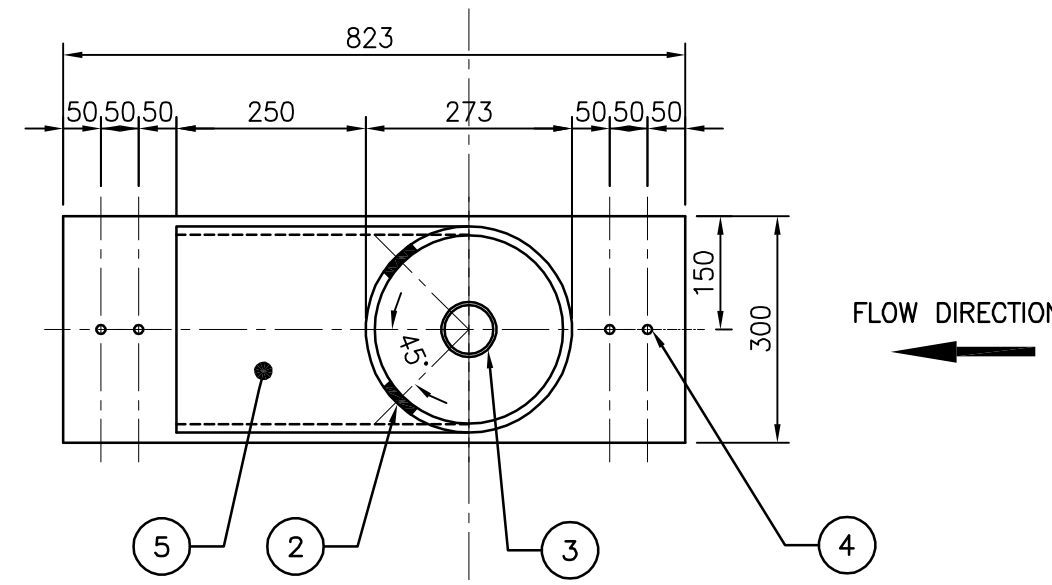
NOTE:

- 75mm $\phi$  CORE HOLE INTO SIDE OF MANHOLE. HOLE TO BE POSITIONED SO CONDUIT RISES UP INTO DRY ROOM.
- PROVIDE LINKING RUBBER MECHANICAL PENETRATION SEAL MADE OF EPDM WITH TYPE 316 S.S. HARDWARE.
- PROVIDE EXPANSION/CONTRACTION JOINT IN VERTICAL SECTION OF CONDUIT.
- PROVIDE PIPE SLEEVE AT DRY ROOM FLOOR PENETRATION FOR CONDUIT.

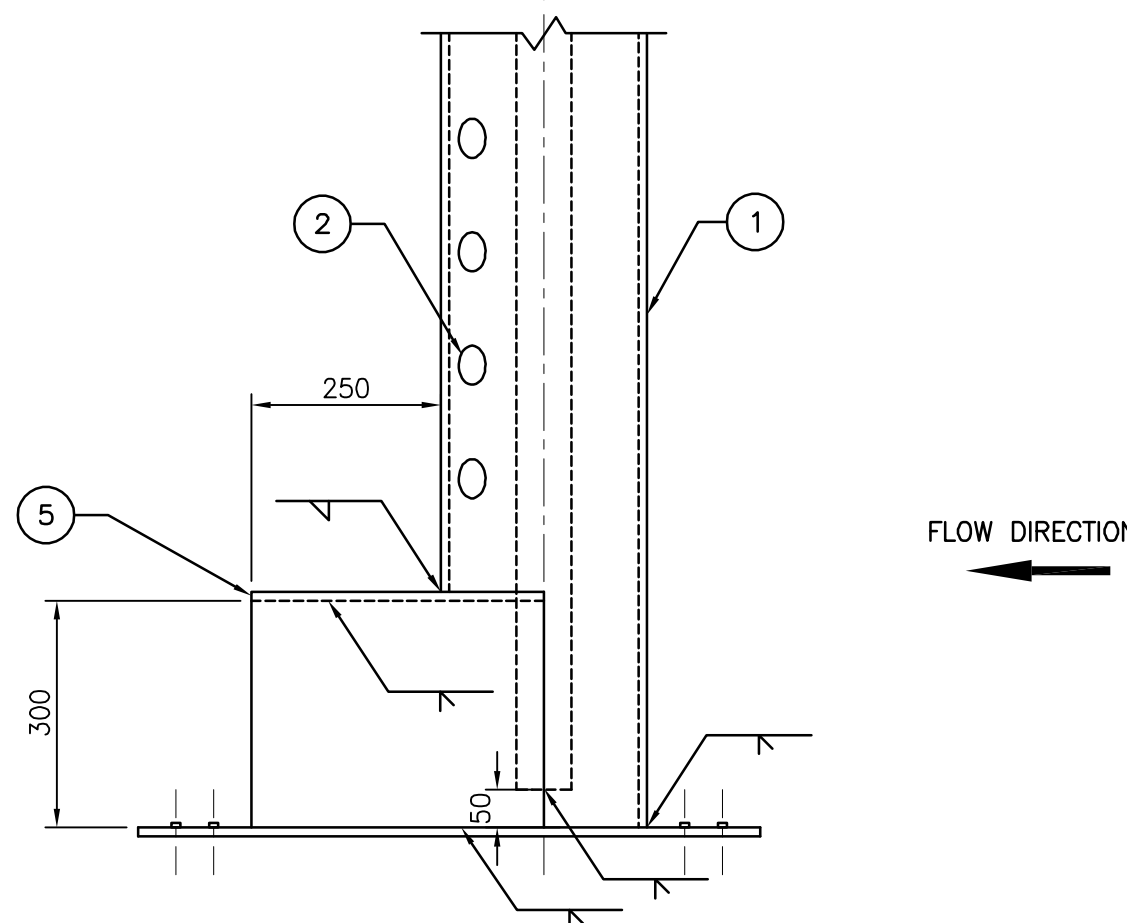
**A** SECTION  
**SAMPLE WATER PUMP SUCTION SYSTEM**  
 M0001 M0002 1:50



**B** SECTION  
 1:50

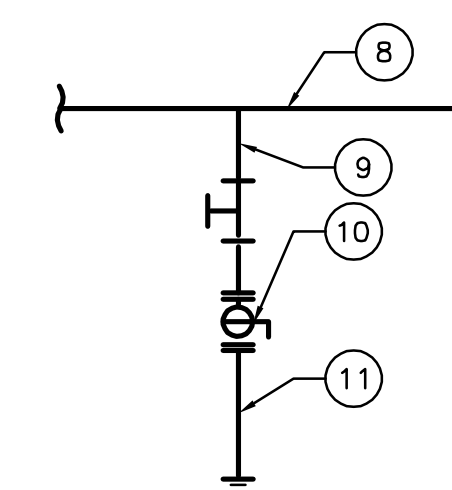


**C** SECTION  
 1:10



**ELEVATION**  
 1:10

- LEGEND:
- 1 250mm $\phi$  SCHEDULE 10S TYPE 316 STAINLESS STEEL PERFORATED GUIDE TUBE.
  - 2 50mm $\phi$  HOLES @ 150mm o/c.
  - 3 65mm $\phi$  PVC SAMPLE LINE. PROVIDE UNION CONNECTION AT MID HEIGHT OF VERTICAL PIPE.
  - 4 12mm x 38mm LONG TYPE 316 STAINLESS STEEL WEDGE ANCHORS c/w TYPE 316 STAINLESS STEEL BOLTS, NUTS AND LOCK WASHER. COAT THREADS WITH RED LOCKTITE.
  - 5 4mm TYPE 316 STAINLESS STEEL PLATE.
  - 6 12mm TYPE 316 STAINLESS STEEL PLATE WITH BEVELED EDGES.
  - 7 PROVIDE FLANGED CONNECTION AT MID HEIGHT OF PIPE.



- LEGEND:
- 8 65mm PVC SAMPLE LINE.
  - 9 25mm STUB.
  - 10 25mm BRASS BALL VALVE.
  - 11 12mm TO 9mm FERRULE TO VINYL HOSE CONNECTION.

**MANITOBA CONSERVATION SAMPLING STATION**

83066 - N. side Frohisher Rd., 0.25km W. of St. Mary's Rd., T411, on top of 0.05m dia. x 1.2m iron pipe (near conc. gate chamber), 7.1m Nly. of N. side @ 9.2m Wly. of W. side of conc. gate chamber 0.25km W. of St. Mary's Rd.

NO.	REVISIONS	DATE	BY
1	REVISED GUIDE TUBE MATERIAL	09.10.22	
A	ISSUED FOR TENDER	09.10.13	

DESIGNED BY	A.B.	CHECKED BY	A.B.
DRAWN BY	B.W.	APPROVED BY	
HOR. SCALE: 1:50		RELEASED FOR CONSTRUCTION:	
VERTICAL:		DATE	
DATE 09.09.21		DATE	

**Stantec Consulting Ltd.**  
 905 Waverley Street, Winnipeg, Manitoba  
 Tel 204-489-5900 Fax 204-453-9012

DESIGNED BY: A.B. CHECKED BY: A.B.  
 DRAWN BY: B.W. APPROVED BY: [Signature]  
 HOR. SCALE: 1:50  
 VERTICAL: [Blank]  
 DATE: 09.09.21

ENGINEER'S SEAL	ORIGINAL SEALED BY A.H. BEGHIN P. ENG. 09/10/13
BID OPPORTUNITY NO.	709-2009

**THE CITY OF WINNIPEG**  
 WATER AND WASTE DEPARTMENT

**Winnipeg**

**SOUTH END WATER POLLUTION CONTROL CENTRE**  
 INSTALLATION OF OUTFALL PIPE, EFFLUENT SAMPLING FACILITY AND ASSOCIATED WORKS  
 SAMPLE WATER PUMP SUCTION SYSTEM DETAILS

CITY DRAWING NUMBER: 1-0102A-M0002-001-01  
 SHEET OF: 1 OF 1

**WARNING**  
 IF POWER EQUIPMENT OR EXPLOSIVES ARE TO BE USED FOR EXCAVATION ON THIS PROJECT THE CONTRACTOR MUST:  
 1) NOTIFY THE GAS COMPANY OF THE PROPOSED LOCATION OF EXCAVATION.  
 2) TAKE PRECAUTION TO AVOID DAMAGE TO GAS COMPANY INSTALLATIONS.  
 SEE PROVINCIAL REGULATION 140/92 FOR DETAILS.

**METRIC**  
 WHOLE NUMBERS INDICATE MILLIMETRES  
 DECIMALIZED NUMBERS INDICATE METRES

**APEGM**  
 Certificate of Authorization  
 Stantec Consulting Ltd.  
 No. 1301 Expiry: April 30, 2010