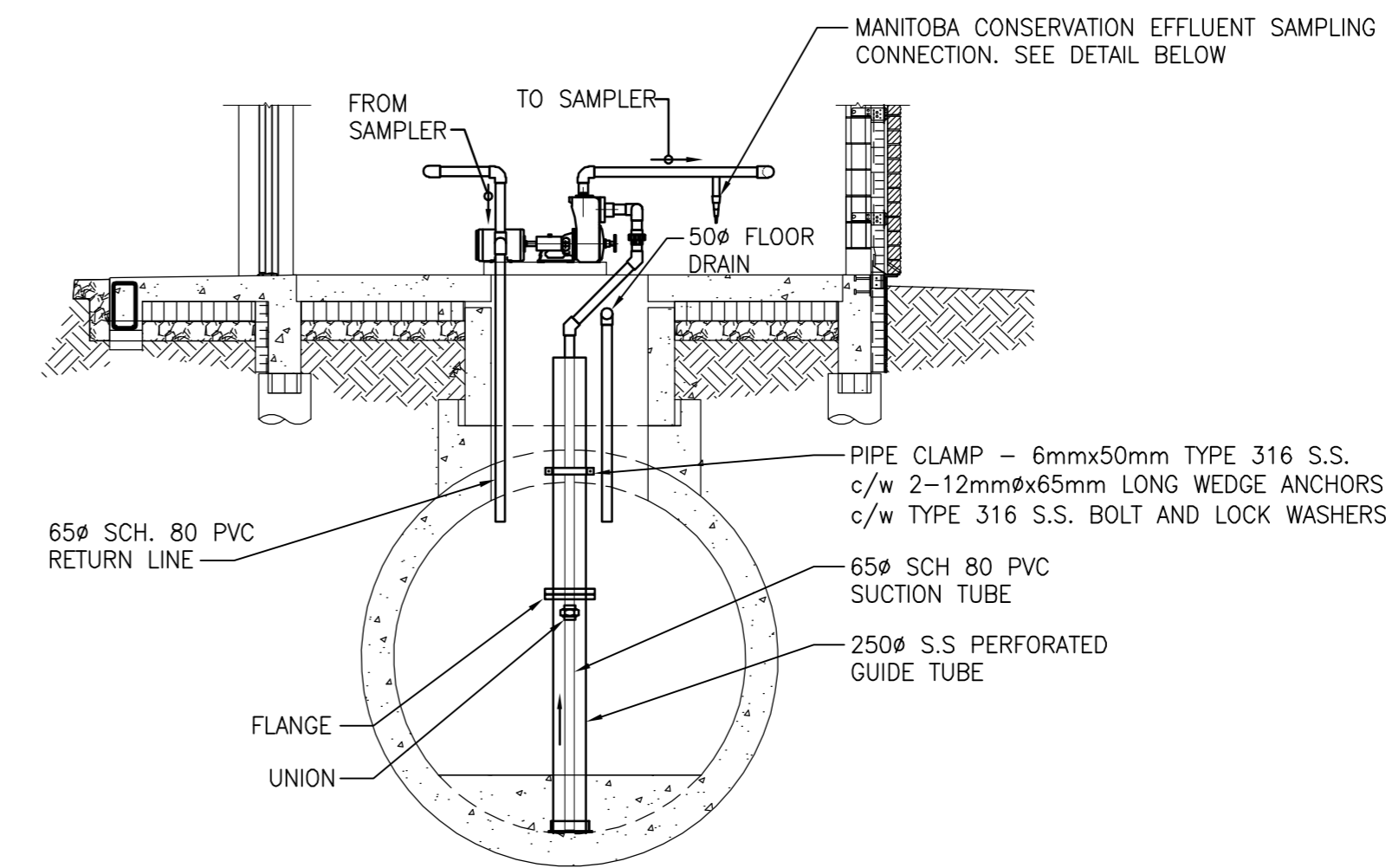
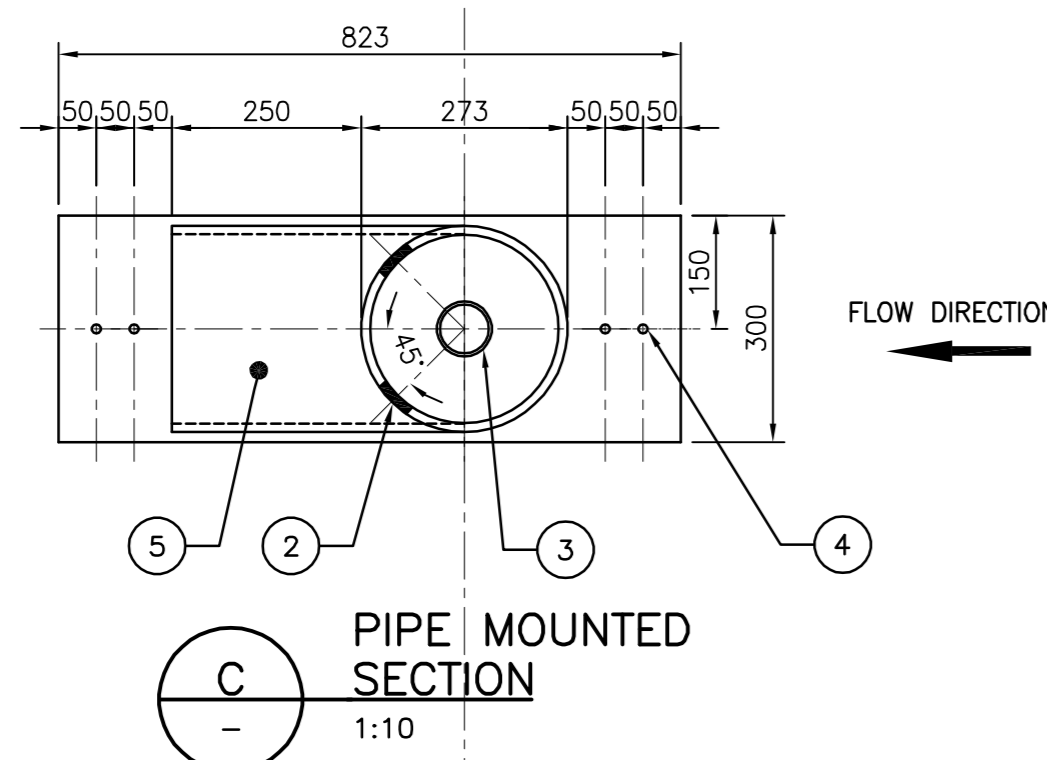


NOTE:
 -75mm ϕ CORE HOLE INTO SIDE OF MANHOLE. HOLE TO BE POSITIONED SO CONDUIT RISES UP INTO DRY ROOM.
 -PROVIDE LINKING RUBBER MECHANICAL PENETRATION SEAL MADE OF EPDM WITH TYPE 316 S.S. HARDWARE.
 -PROVIDE EXPANSION/CONTRACTION JOINT IN VERTICAL SECTION OF CONDUIT.
 -PROVIDE PIPE SLEEVE AT DRY ROOM FLOOR PENETRATION FOR CONDUIT.

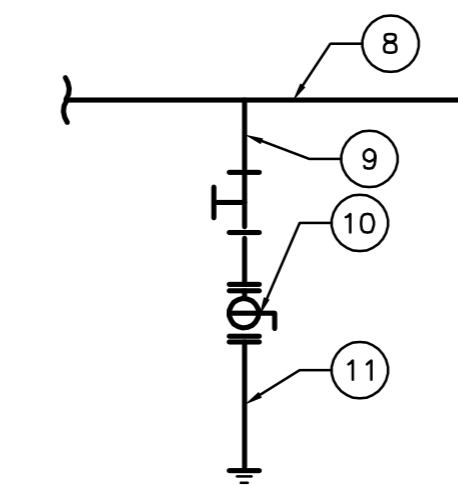
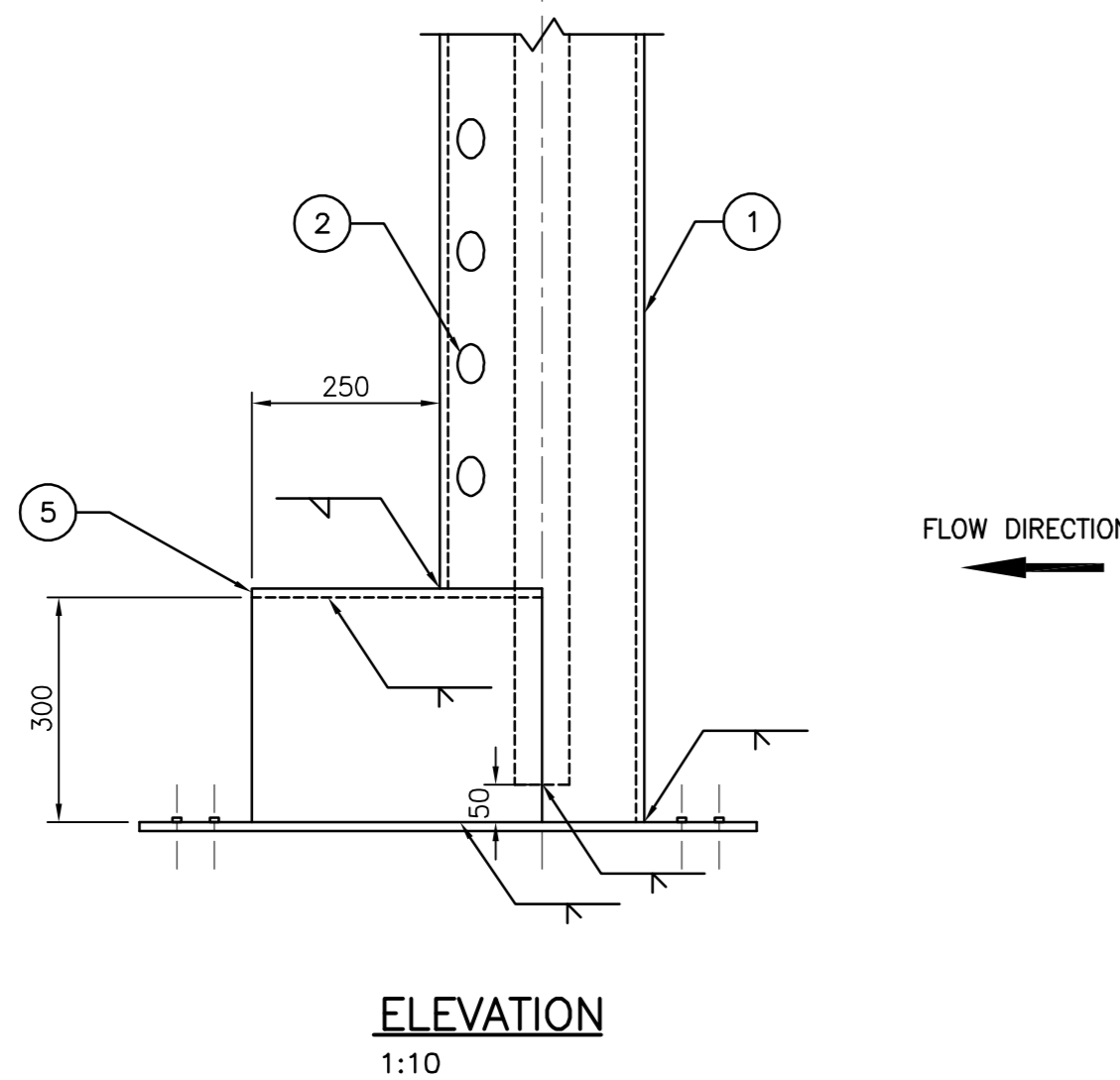
A SECTION
 SAMPLE WATER PUMP SUCTION SYSTEM
 M0001 | M0002 1:50



B SECTION
 1:50



- LEGEND:**
- 1 250mm ϕ SCHEDULE 10S TYPE 316 STAINLESS STEEL PERFORATED GUIDE TUBE.
 - 2 50mm ϕ HOLES @ 150mm o/c.
 - 3 65mm ϕ PVC SAMPLE LINE. PROVIDE UNION CONNECTION AT MID HEIGHT OF VERTICAL PIPE.
 - 4 12mm x 38mm LONG TYPE 316 STAINLESS STEEL WEDGE ANCHORS c/w TYPE 316 STAINLESS STEEL BOLTS, NUTS AND LOCK WASHER. COAT THREADS WITH RED LOCKTITE.
 - 5 4mm TYPE 316 STAINLESS STEEL PLATE.
 - 6 12mm TYPE 316 STAINLESS STEEL PLATE WITH BEVELED EDGES.
 - 7 PROVIDE FLANGED CONNECTION AT MID HEIGHT OF PIPE.



- LEGEND:**
- 8 65mm PVC SAMPLE LINE.
 - 9 25mm STUB.
 - 10 25mm BRASS BALL VALVE.
 - 11 12mm TO 9mm FERRULE TO VINYL HOSE CONNECTION.

MANITOBA CONSERVATION SAMPLING STATION

839088 - N. side Frohisher Rd., 0.25km W. of St. Mary's Rd., Tab. on top of 0.00m dia. x 1.2m iron pipe (near conc. gate chamber), 7.1m Nly. of N. side & 9.8m Wly. of W. side of conc. gate chamber 0.25km W. of St. Mary's Rd.

WARNING
 IF POWER EQUIPMENT OR EXPLOSIVES ARE TO BE USED FOR EXCAVATION ON THIS PROJECT THE CONTRACTOR MUST:
 1) NOTIFY THE GAS COMPANY OF THE PROPOSED LOCATION OF EXCAVATION.
 2) TAKE PRECAUTION TO AVOID DAMAGE TO GAS COMPANY INSTALLATIONS.
 SEE PROVINCIAL REGULATION 140/92 FOR DETAILS

METRIC
 WHOLE NUMBERS INDICATE MILLIMETRES
 DECIMALIZED NUMBERS INDICATE METRES

APEGM
 Certificate of Authorization
 Stantec Consulting Ltd.
 No. 1301 Expiry: April 30, 2010

LOCATION APPROVED UNDERGROUND STRUCTURES		B.M. 81-007 ELEV. 230.438	Stantec Consulting Ltd.		ENGINEER'S SEAL	THE CITY OF WINNIPEG WATER AND WASTE DEPARTMENT	
SUPV. U/G STRUCTURES DATE COMMITTEE			905 Waverley Street, Winnipeg, Manitoba Tel 204-489-5900 Fax 204-453-9012		ORIGINAL SEALED BY A.H. BEGHIN P. ENG. 09/10/13	Winnipeg SOUTH END WATER POLLUTION CONTROL CENTRE INSTALLATION OF OUTFALL PIPE, EFFLUENT SAMPLING FACILITY AND ASSOCIATED WORKS SAMPLE WATER PUMP SUCTION SYSTEM DETAILS	
NOTE: LOCATION OF UNDERGROUND STRUCTURES AS SHOWN ARE BASED ON THE BEST INFORMATION AVAILABLE BUT NO GUARANTEE IS GIVEN THAT ALL EXISTING UTILITIES ARE SHOWN OR THAT THE GIVEN LOCATIONS ARE EXACT. CONFIRMATION OF EXISTENCE AND EXACT LOCATION OF ALL SERVICES MUST BE OBTAINED FROM THE INDIVIDUAL UTILITIES BEFORE PROCEEDING WITH CONSTRUCTION.			DESIGNED BY A.B.	CHECKED BY A.B.		BID OPPORTUNITY NO. 709-2009	CITY DRAWING NUMBER 1-0102A-M0002-002-00
			DRAWN BY B.W.	APPROVED BY		SHEET 1	OF 1
			HOR. SCALE: VERTICAL: 1:50	RELEASED FOR CONSTRUCTION:			
A ISSUED FOR TENDER 09.10.13							
NO. REVISIONS		DATE	BY	DATE 09.09.21			