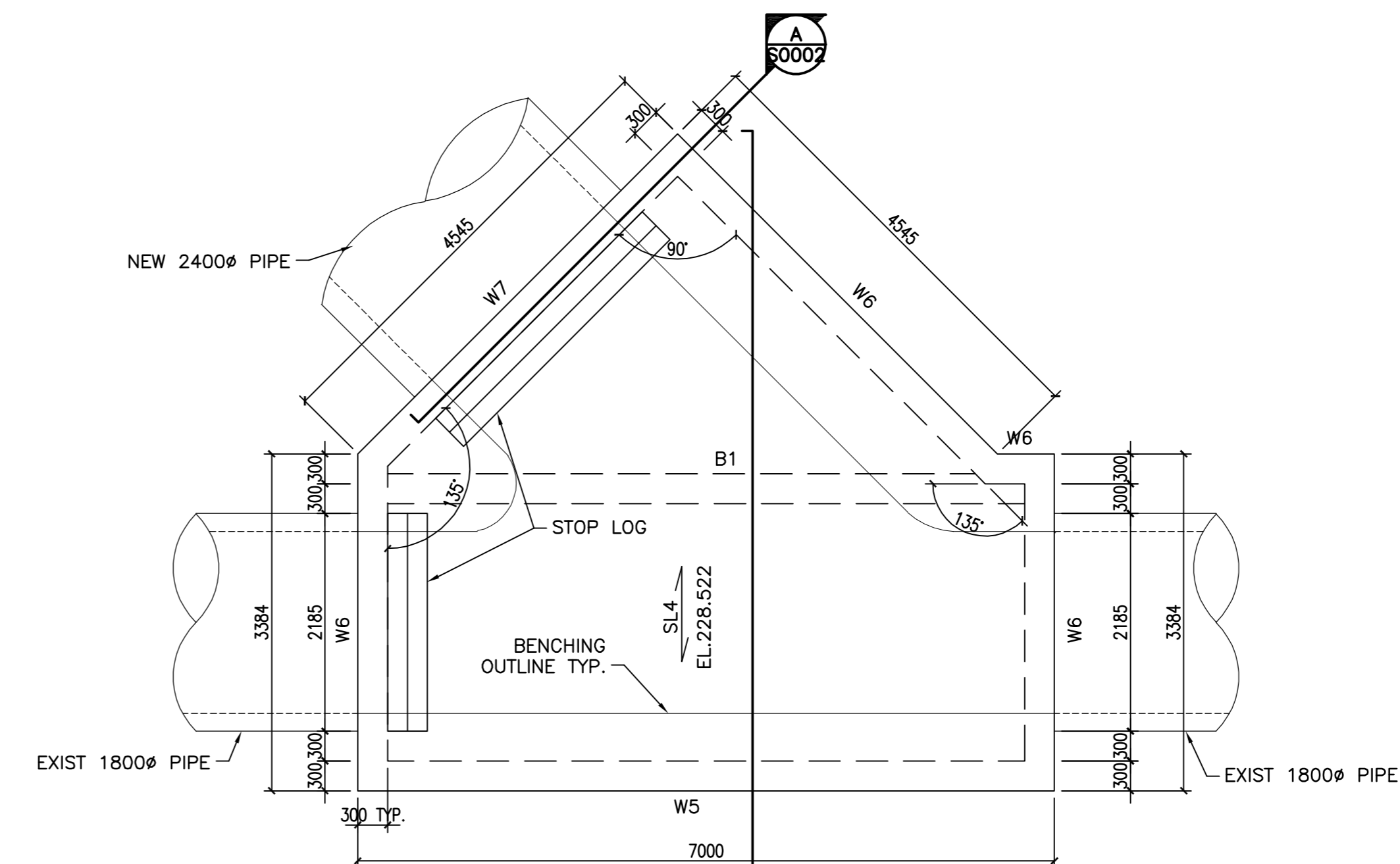


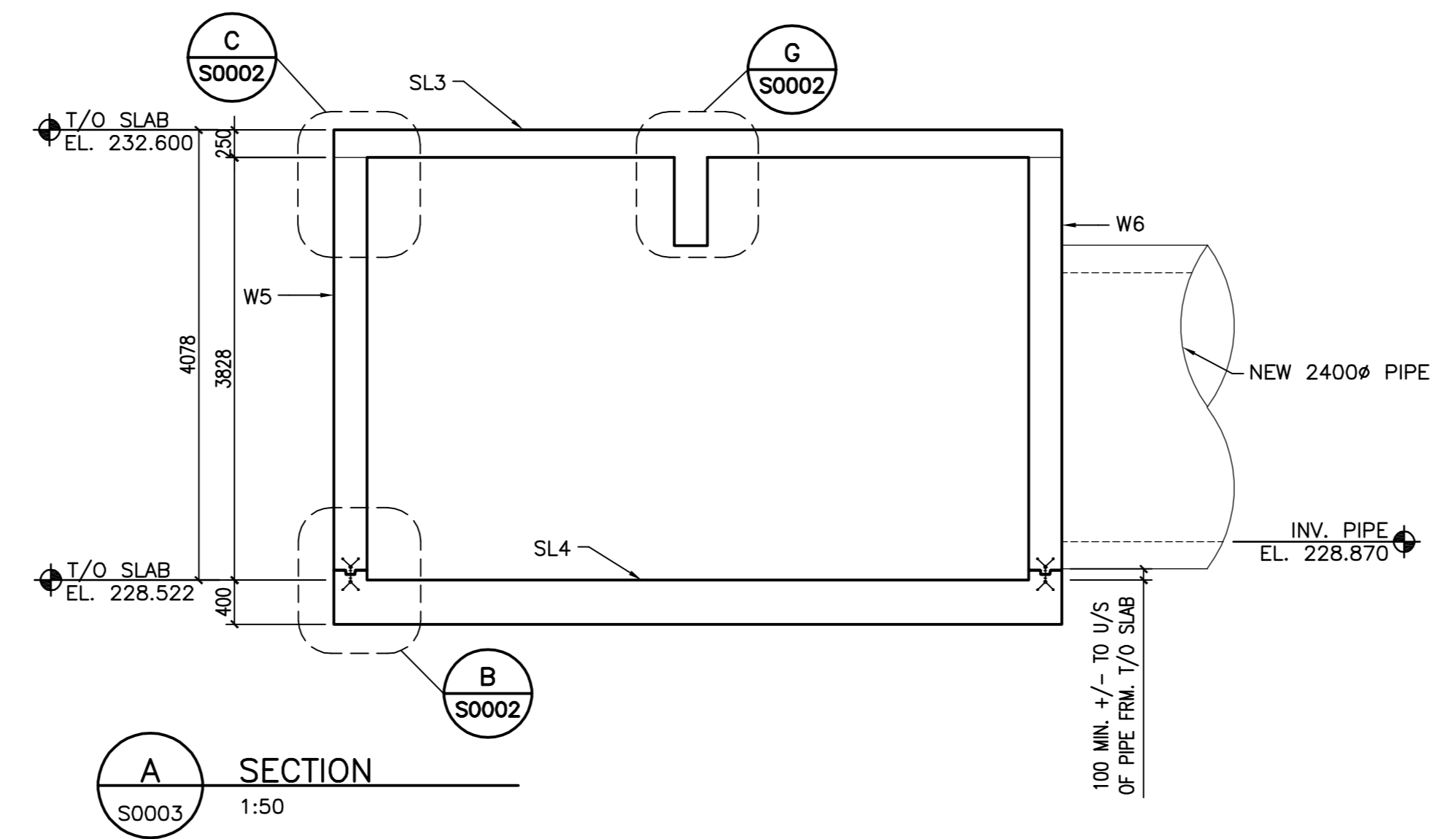
1
S0003
TOP SLAB
CHAMBER #1
1:50

DESIGN LOADS:
LIVE = 4.8 kPa



2
S0003
BOTTOM SLAB
CHAMBER #1
1:50

DRAWING NOTES:
1. SEE CITY DRAWING NUMBER 1-0102A-S0001-001 FOR GENERAL NOTES.
2. SEE CITY DRAWING NUMBER 1-0102A-S0001-001 FOR WALL, SLAB AND BEAM SCHEDULE.
3. SEE CITY DRAWING NUMBER 1-0102A-S0002-001 FOR CONCRETE SECTIONS & TYPICAL DETAILS.



A
S0003
SECTION
1:50

83R066 - N. side Prohisher Rd., 0.25km W. of St. Mary's Rd.,
Tilt: on top of 0.05m dia. x 1.2m iron pipe (near conc. gate chamber), 7.1m Nly. of N. side & 9.8m Wly. of W. side of conc. gate chamber 0.25km W. of St. Mary's Rd.

LOCATION APPROVED UNDERGROUND STRUCTURES SUPV. U/G STRUCTURES COMMITTEE DATE NOTE: LOCATION OF UNDERGROUND STRUCTURES AS SHOWN ARE BASED ON THE BEST INFORMATION AVAILABLE BUT NO GUARANTEE IS GIVEN THAT ALL EXISTING UTILITIES ARE SHOWN OR THAT THE GIVEN LOCATIONS ARE EXACT. CONFIRMATION OF EXISTENCE AND EXACT LOCATION OF ALL SERVICES MUST BE OBTAINED FROM THE INDIVIDUAL UTILITIES BEFORE PROCEEDING WITH CONSTRUCTION.	B.M. 81-007 ELEV. 230.438	Stantec Consulting Ltd. 905 Waverley Street, Winnipeg, Manitoba Tel 204-489-5900 Fax 204-453-9012	ENGINEER'S SEAL MOHAMMAD HOQUE OCT. 13, 2009	THE CITY OF WINNIPEG WATER AND WASTE DEPARTMENT SOUTH END WATER POLLUTION CONTROL CENTRE INSTALLATION OF OUTFALL PIPE EFFLUENT SAMPLING FACILITY AND ASSOCIATED WORKS CHAMBER NO.1 PLAN & SECTION	
	DESIGNED BY: M.H. CHECKED BY: T.D. DRAWN BY: M.F. APPROVED BY: C.M. HOR. SCALE: AS NOTED VERTICAL: RELEASED FOR CONSTRUCTION:		ORIGINALY SEALED BY: MOHAMMAD HOQUE OCT. 13, 2009		
NO. REVISIONS DATE BY	A ISSUED FOR TENDER 09.10.13 NO. REVISIONS DATE BY	DATE 09.09.21	BID OPPORTUNITY NO. 709-2009	CITY DRAWING NUMBER 1-0102A-S0003-001	SHEET 1 OF 1

APECM
 Certificate of Authorization
 Stantec Consulting Ltd.
 No. 1301 Expiry: April 30, 2010

METRIC
 WHOLE NUMBERS INDICATE MILLIMETRES
 DECIMALIZED NUMBERS INDICATE METRES