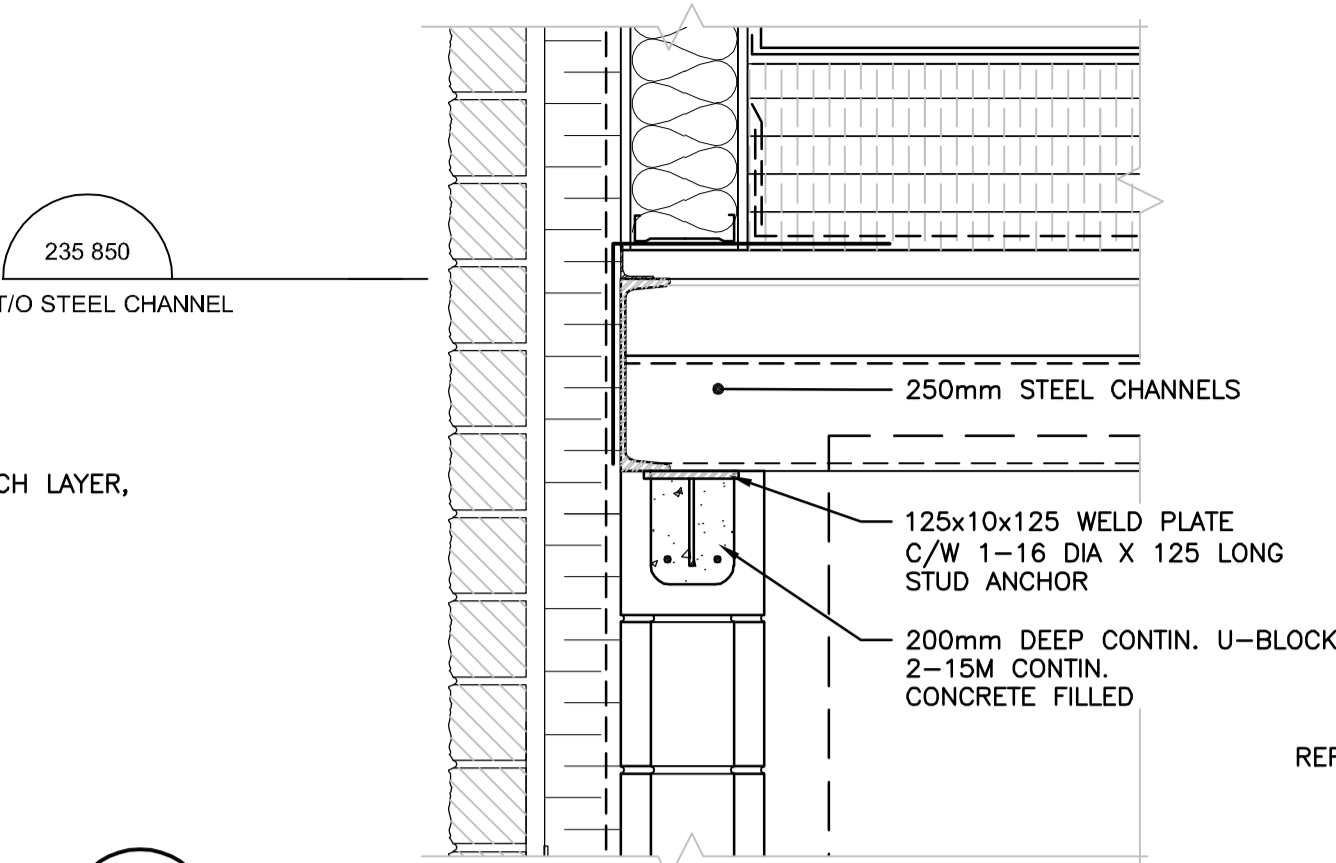
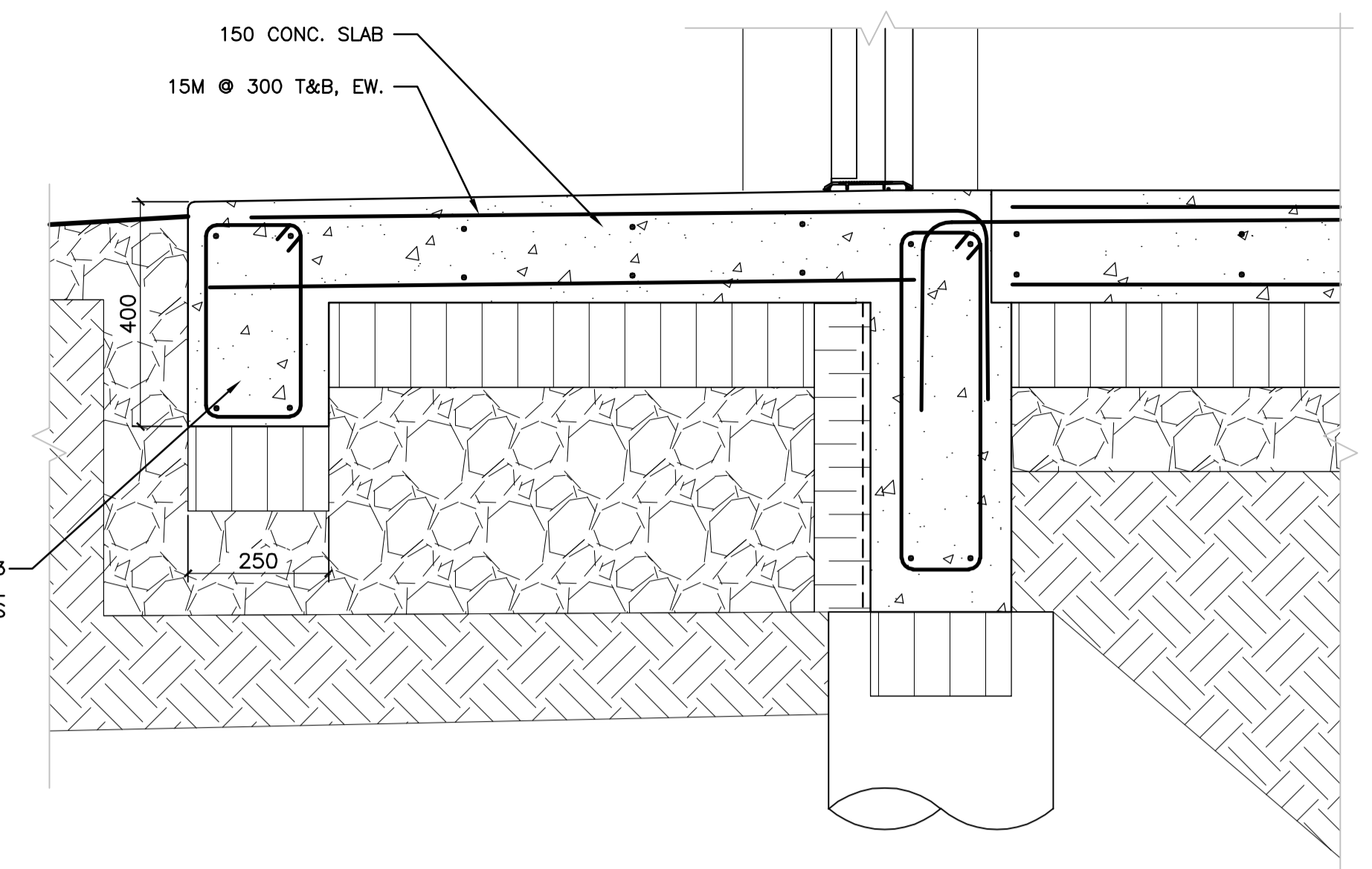


**1 FOUNDATION FLOOR PLAN**  
S0009 1:50

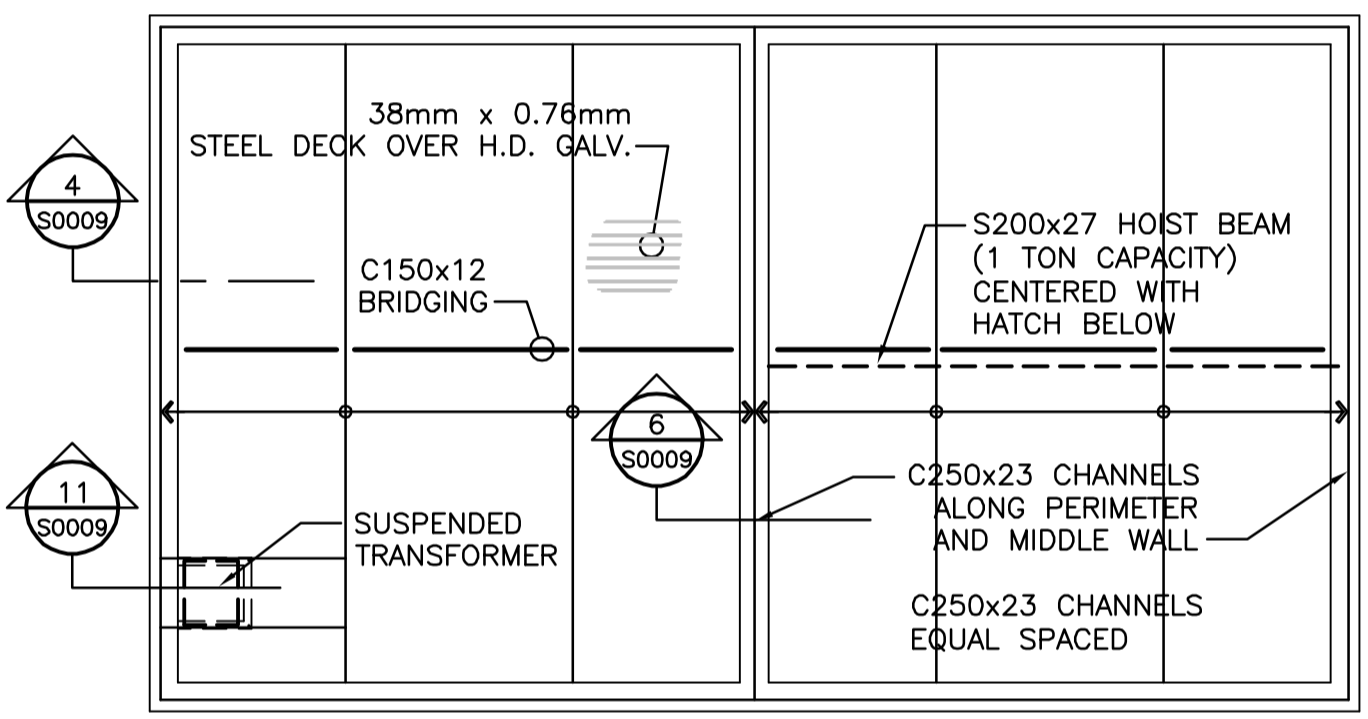
**DESIGN LOAD:**  
LIVE LOAD 12 KPa



**4 SECTION DETAILS**  
S0009 1:10

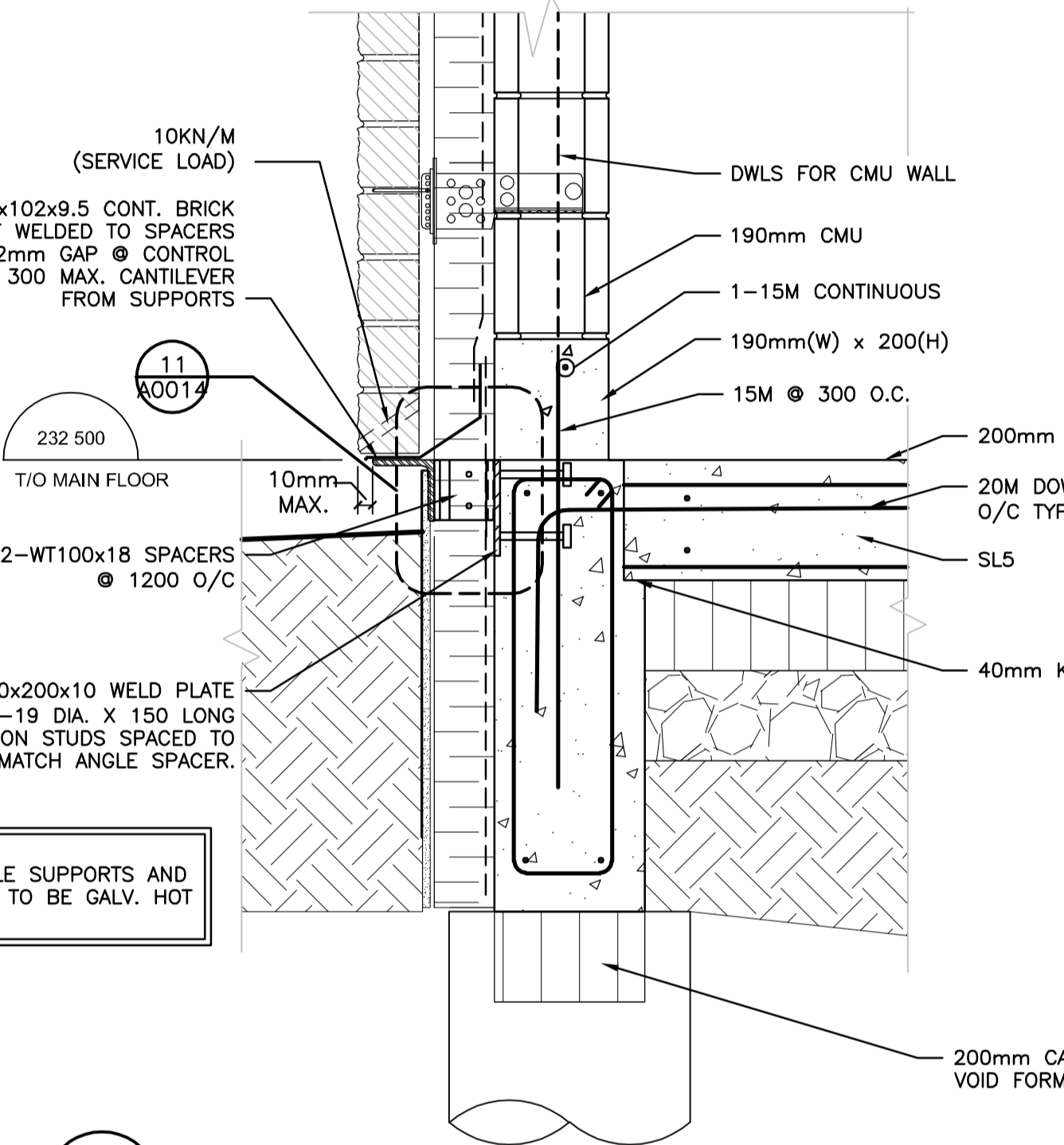


**7 SECTION DETAILS**  
S0009 1:10

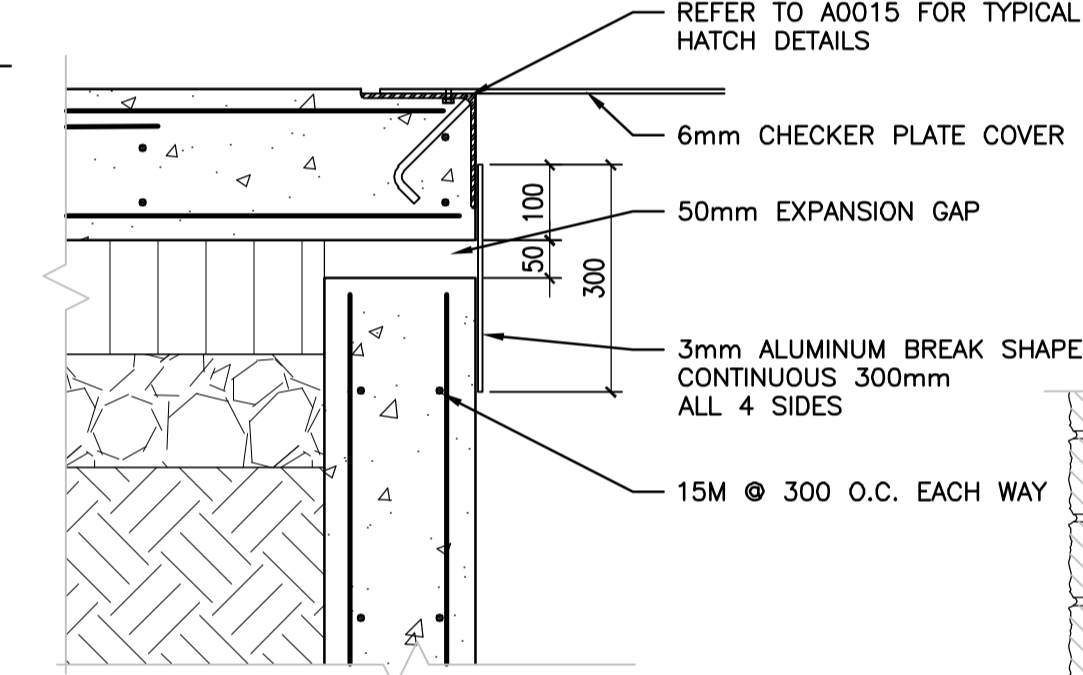


**2 ROOF FRAMING PLAN**  
S0009 1:50

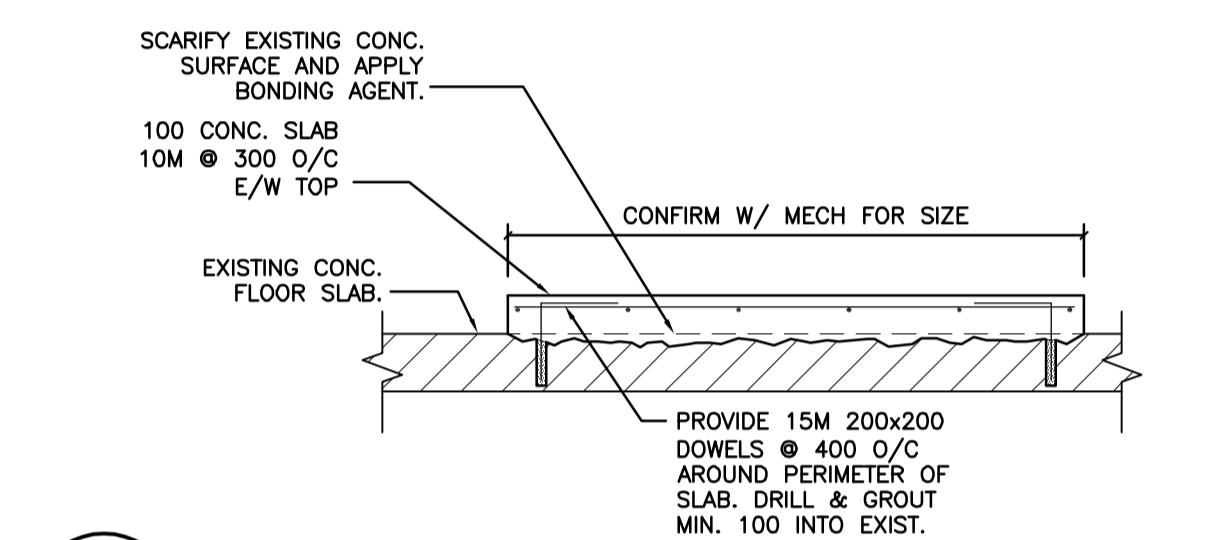
**DESIGN LOAD:**  
LIVE LOAD 1 KPa  
SNOW LOAD 2.15 KPa



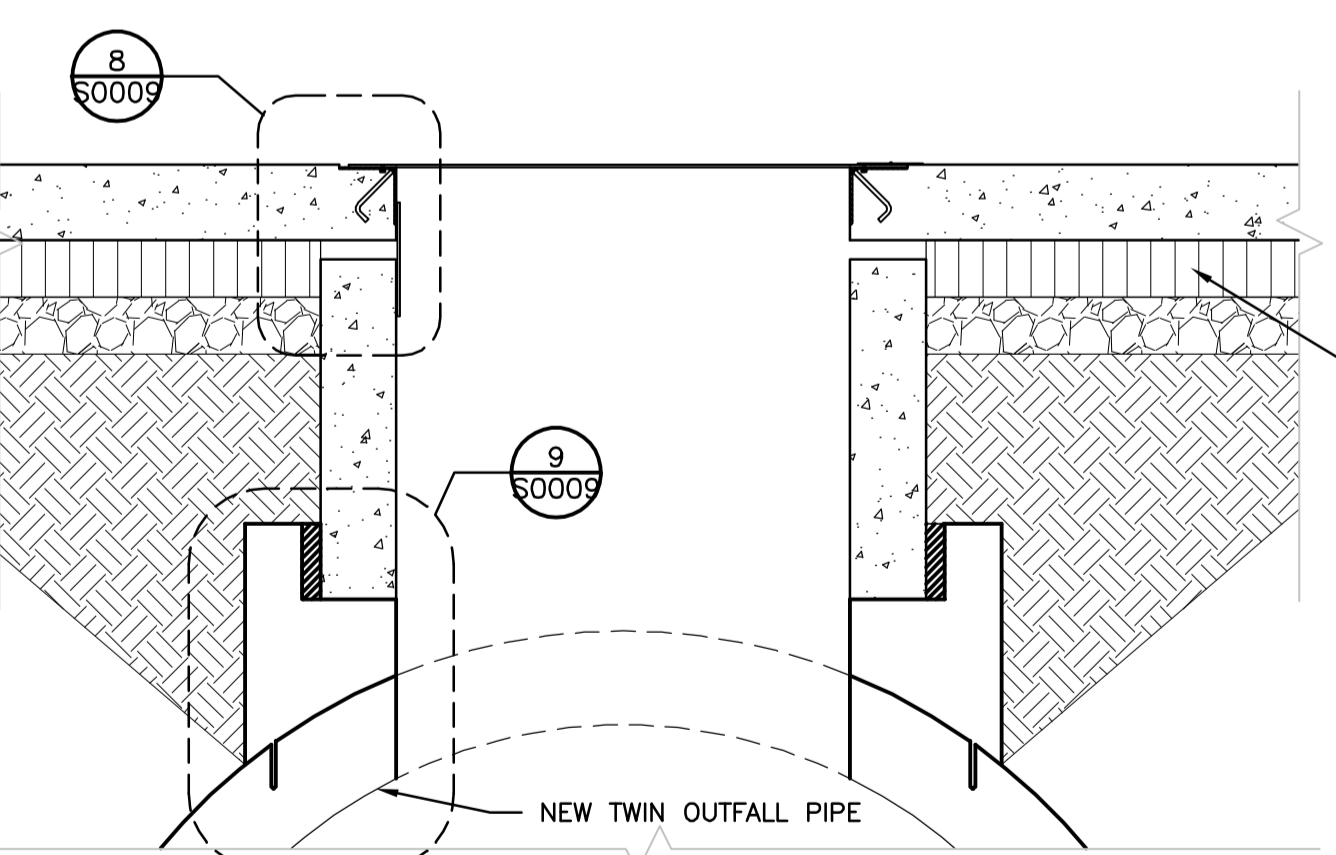
**5 SECTION DETAILS**  
S0009 1:10



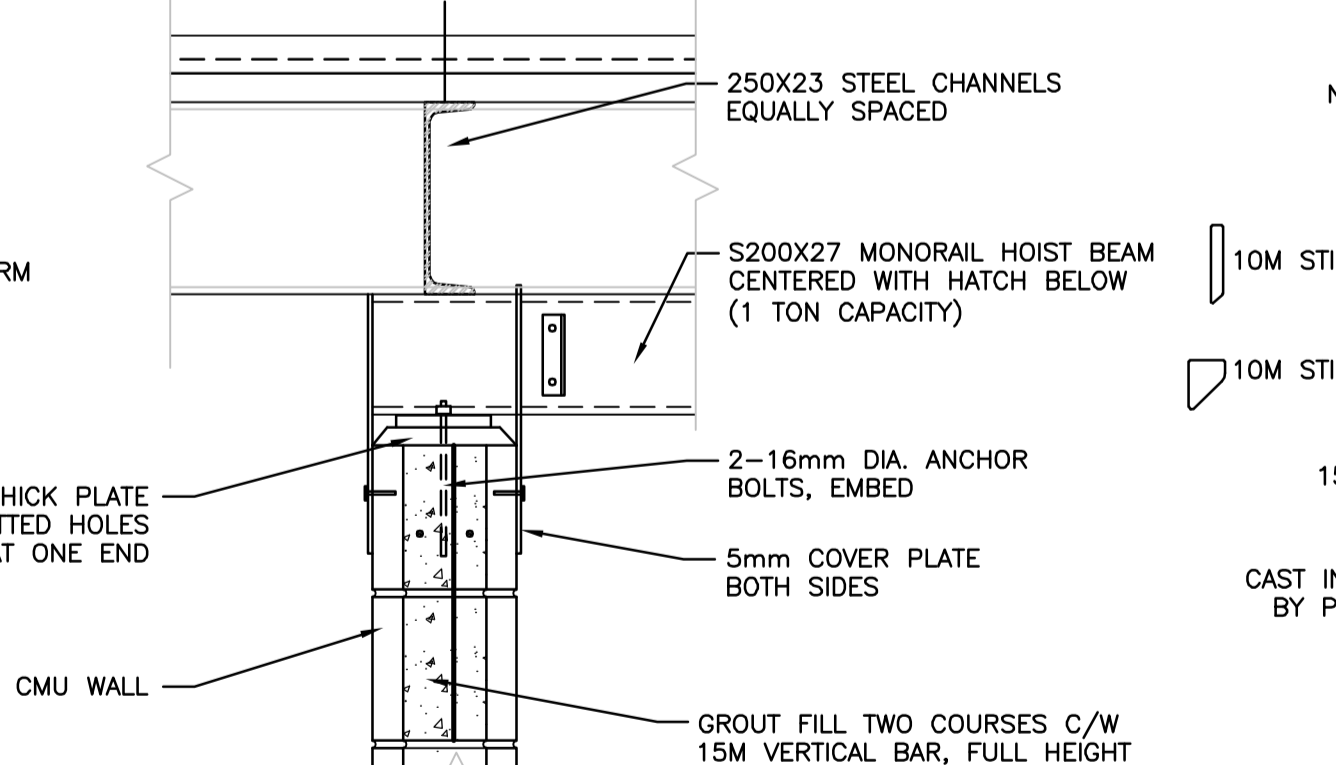
**8 OUTFALL PIPE CONNECTION DETAIL**  
S0009 1:10



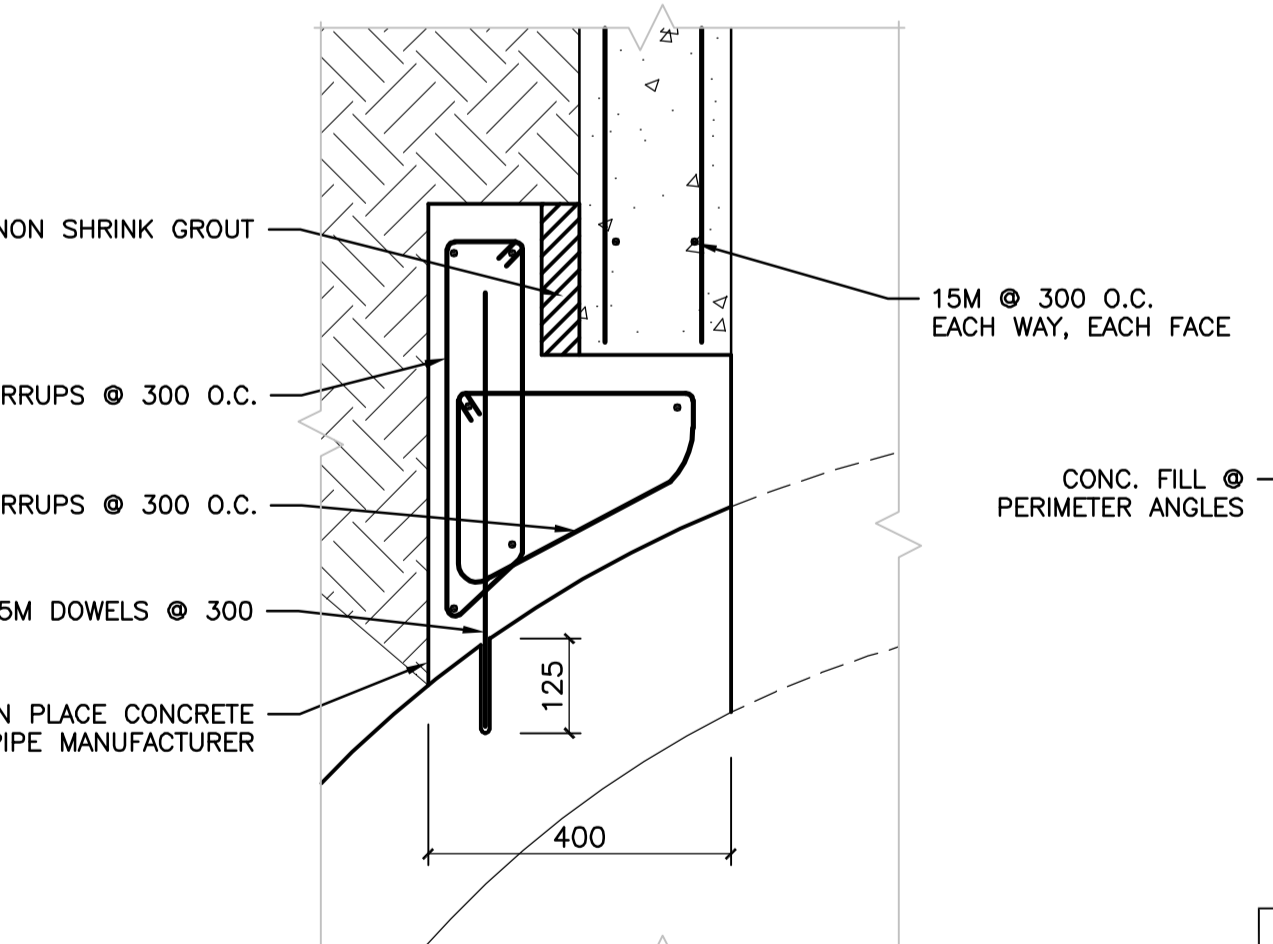
**10 TYPICAL HOUSE KEEPING PAD**  
S0009 1:20



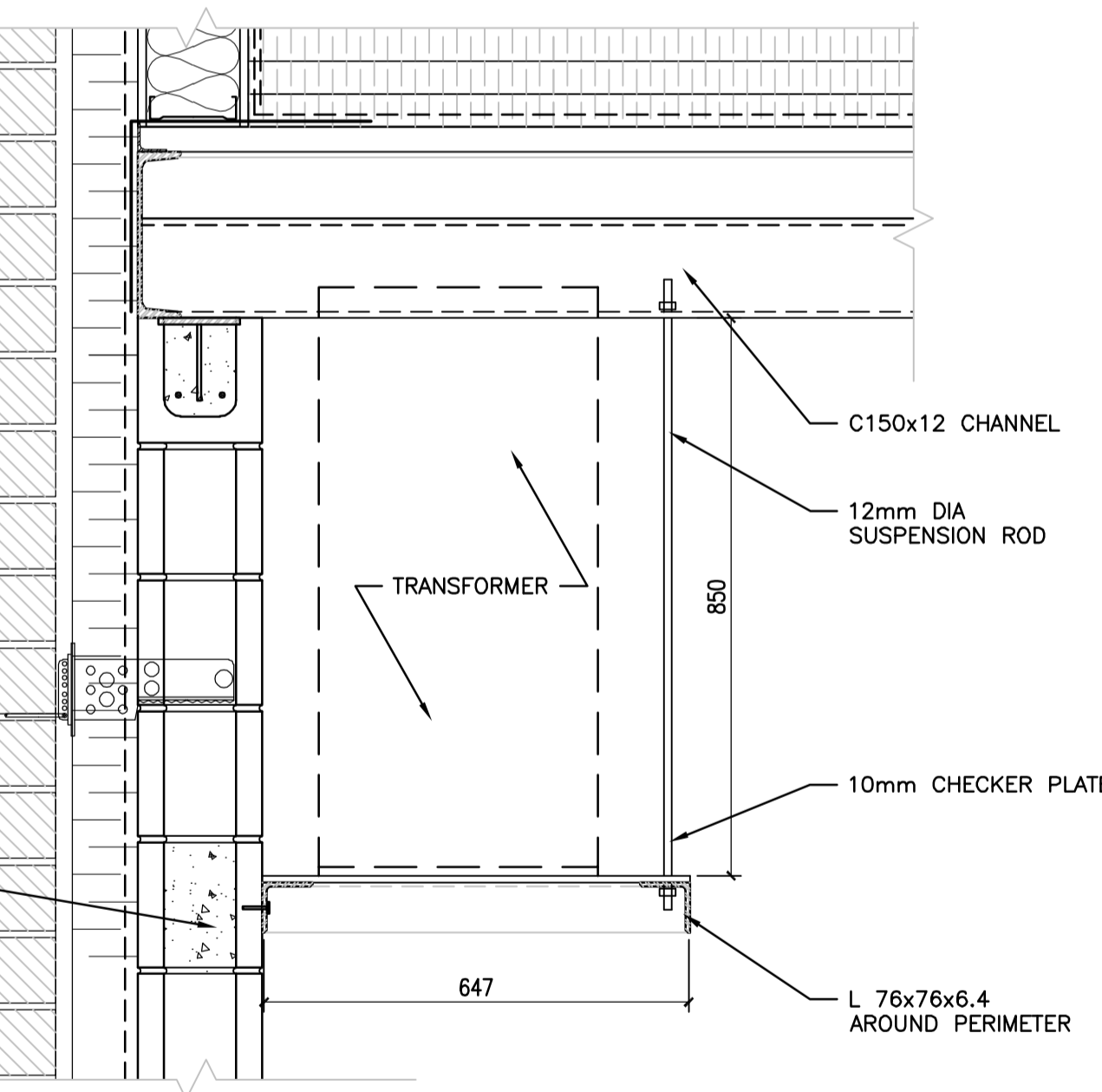
**3 OUTFALL PIPE SECTION DETAIL**  
S0009 1:20



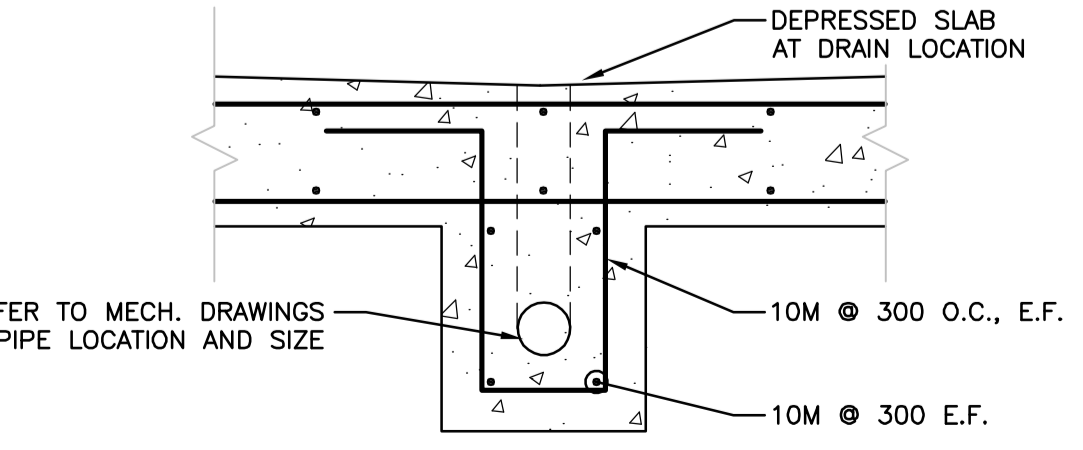
**6 SECTION DETAILS**  
S0009 1:10



**9 OUTFALL PIPE CONNECTION DETAIL**  
S0009 1:10



**11 SUSPENDED TRANSFORMER**  
S0009 1:10



**12 PIPE ENCASEMENT DETAIL**  
S0009 1:10

- GENERAL NOTES:**
- SEE DRAWING S-001 FOR GENERAL NOTES.
  - SEE DRAWING S-001 FOR BEAM, SLAB AND PILE SCHEDULE.
  - SEE ARCHITECTURAL DRAWINGS FOR FLOOR SLOPE AND OPENINGS.
  - SEE MASONRY NOTES IN DRAWING S-001 FOR MASONRY REBARS, LINTELS, JOINT REINFORCEMENT INFORMATION.

LOCATION APPROVED UNDERGROUND STRUCTURES		B.M. ELEV.	
SUPV. U/G STRUCTURES COMMITTEE	DATE		
NOTE: LOCATION OF UNDERGROUND STRUCTURES AS SHOWN ARE BASED ON THE BEST INFORMATION AVAILABLE BUT NO GUARANTEE IS GIVEN THAT ALL EXISTING UTILITIES ARE SHOWN OR THAT THE GIVEN LOCATIONS ARE EXACT. CONFIRMATION OF EXISTENCE AND EXACT LOCATION OF ALL SERVICES MUST BE OBTAINED FROM THE INDIVIDUAL UTILITIES BEFORE PROCEEDING WITH CONSTRUCTION.			
A	ISSUED FOR TENDER	09.10.13	
NO.	REVISIONS	DATE	BY
		09.09.21	

<b>Stantec Consulting Ltd.</b>		ENGINEER'S SEAL	
905 Waverley Street, Winnipeg, Manitoba Tel 204-489-5900 Fax 204-453-9012		ORIGINALLY SEALED BY:	
DESIGNED BY	W.O.	CHECKED BY	M.H.
DRAWN BY	W.O.	APPROVED BY	M.H.
HOR. SCALE:	1:500	RELEASED FOR CONSTRUCTION:	
VERTICAL:	1:50	DATE	

MOHAMMAD HOQUE	BID OPPORTUNITY NO.
OCT. 9, 2009	709-2009

**THE CITY OF WINNIPEG**  
WATER AND WASTE DEPARTMENT

**Winnipeg**

**SOUTH END WATER POLLUTION CONTROL CENTRE**  
INSTALLATION OF OUTFALL PIPE  
EFFLUENT SAMPLING FACILITY AND ASSOCIATED WORKS  
FOUNDATION/ROOF FRAMING PLANS  
& MISCELLANEOUS DETAILS

CITY DRAWING NUMBER: **1-0102A-S0009-001**

SHEET **1** OF **1**

**APEGM**  
Certificate of Authorization  
Stantec Consulting Ltd.  
No. 1301 Expiry: April 30, 2010

METRIC  
WHOLE NUMBERS INDICATE MILLIMETRES  
DECIMALIZED NUMBERS INDICATE METRES