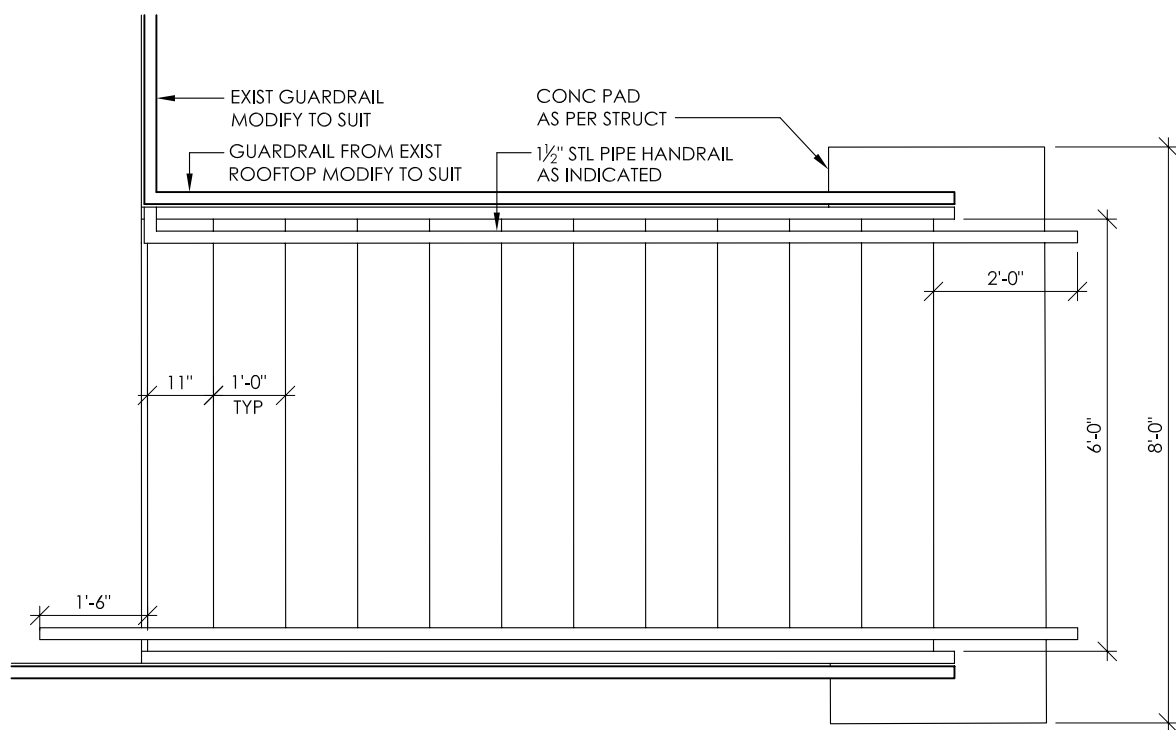
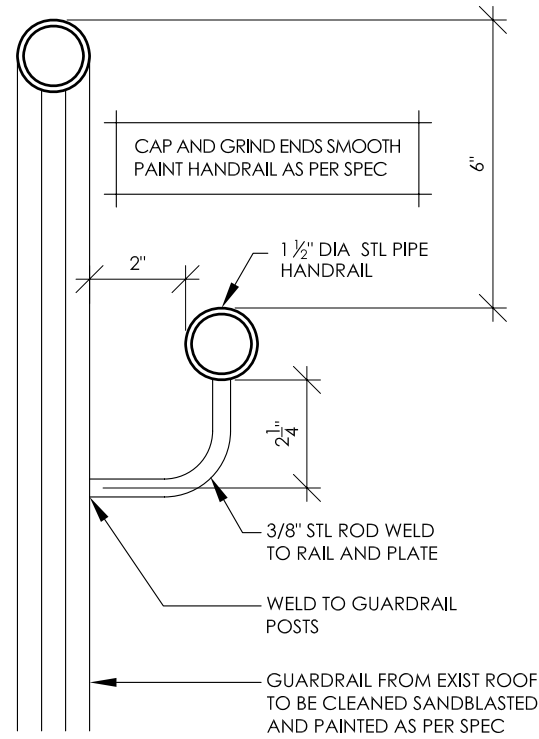


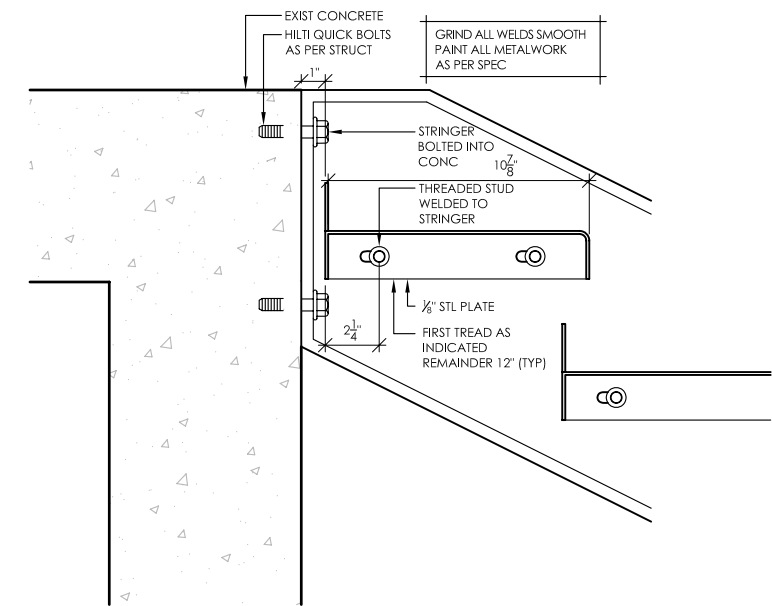
2 ELEVATION OF STAIR  
3/8" = 1'-0"



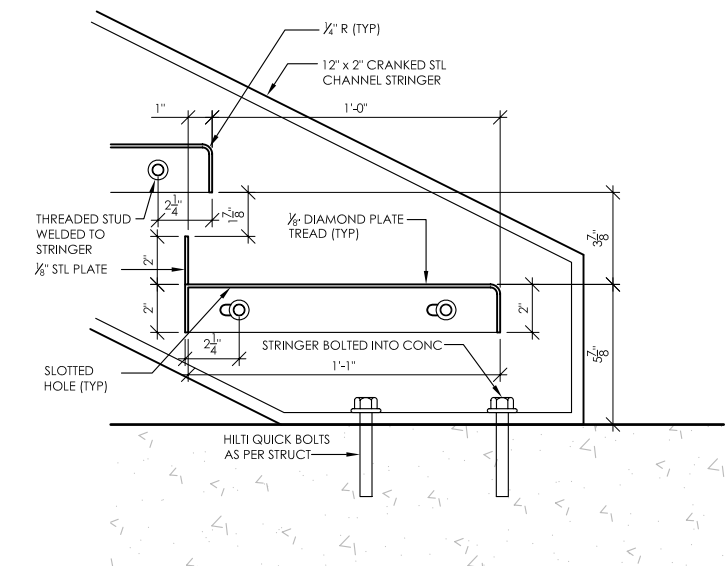
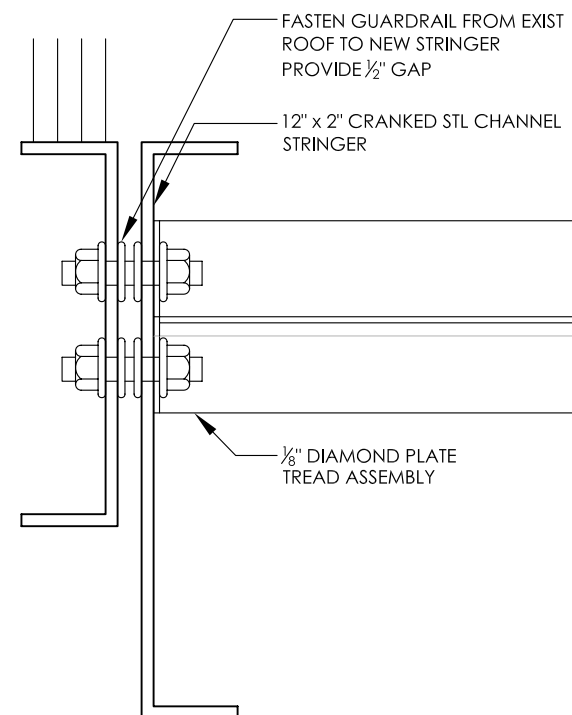
1 PLAN VIEW OF STAIR  
3/8" = 1'-0"



3 RAIL, STRINGER SECTION  
3" = 1'-0"



5 STRINGER DETAIL  
1 1/2" = 1'-0"



4 STRINGER DETAIL  
1 1/2" = 1'-0"