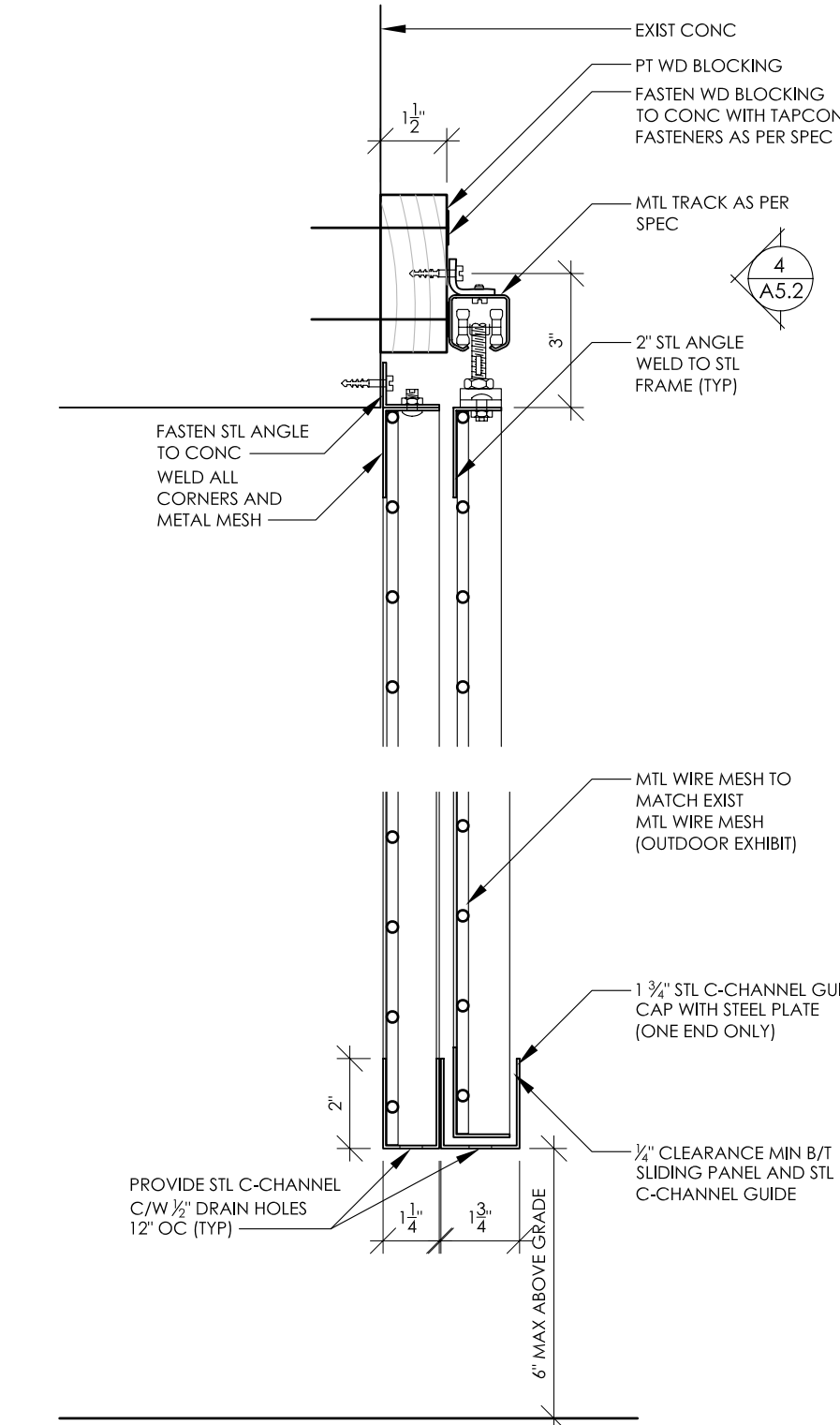
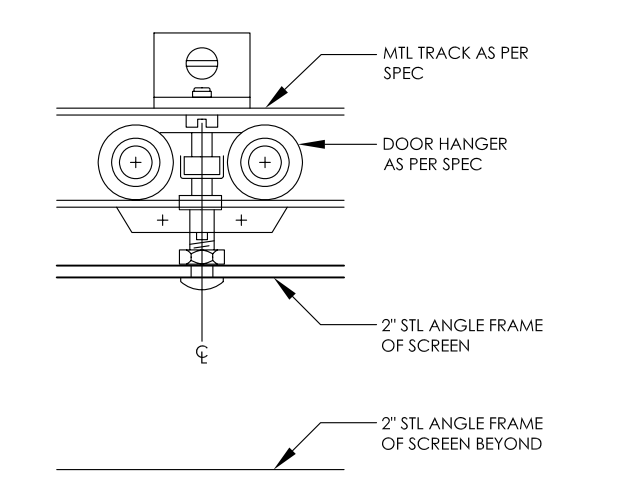


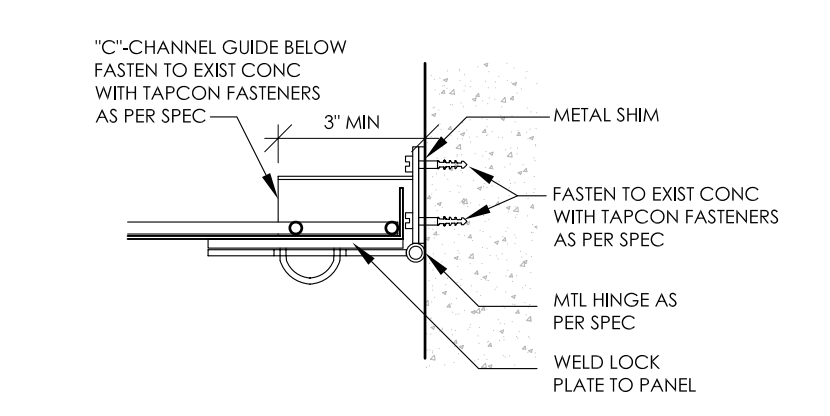
1 NORTH ELEVATION
3/16" = 1'-0"



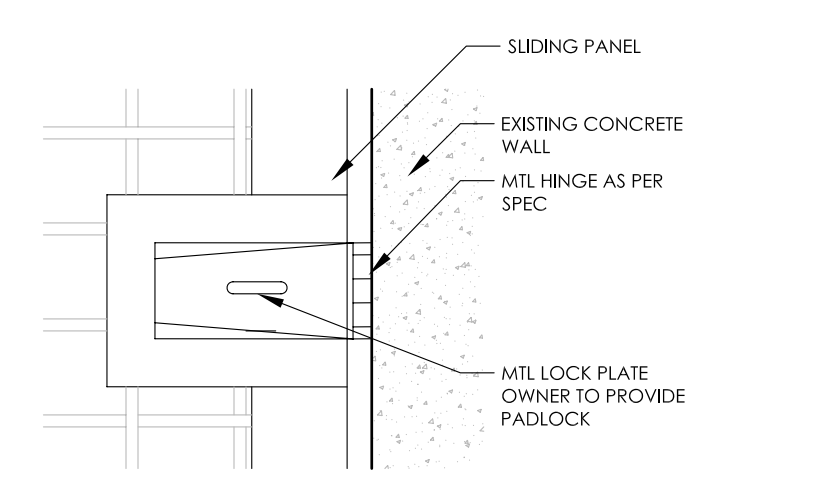
3 SCREEN/SLIDING PANEL SECTION
3" = 1'-0"



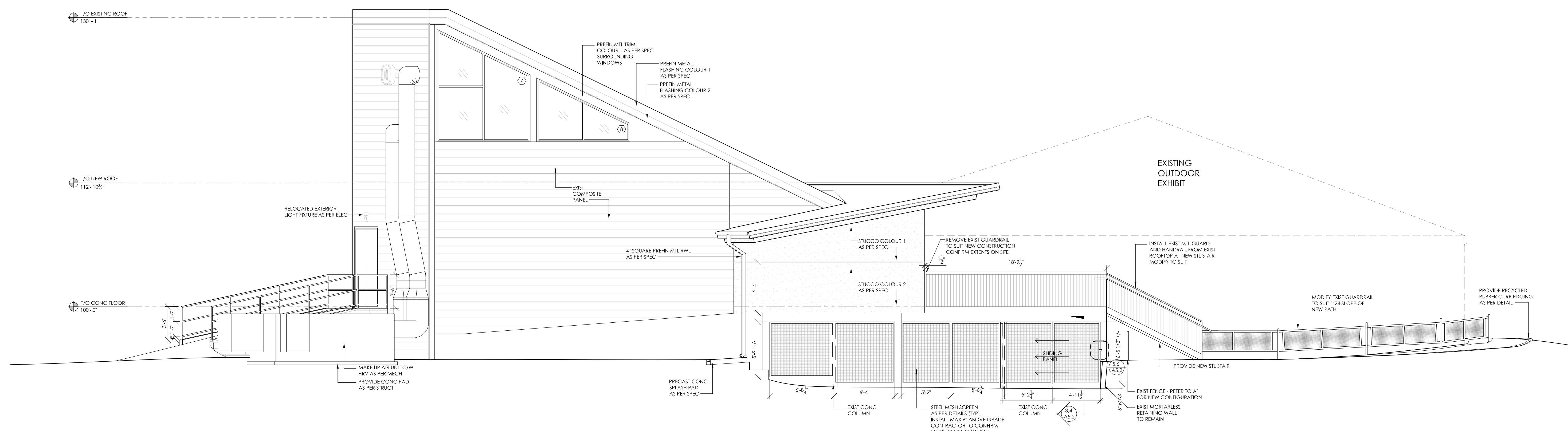
4 ROLLER TRACK SECTION
6" = 1'-0"



5 LOCKPLATE PLAN DETAIL
3" = 1'-0"



6 LOCKPLATE ELEVATION
3" = 1'-0"



2 WEST ELEVATION
3/16" = 1'-0"

