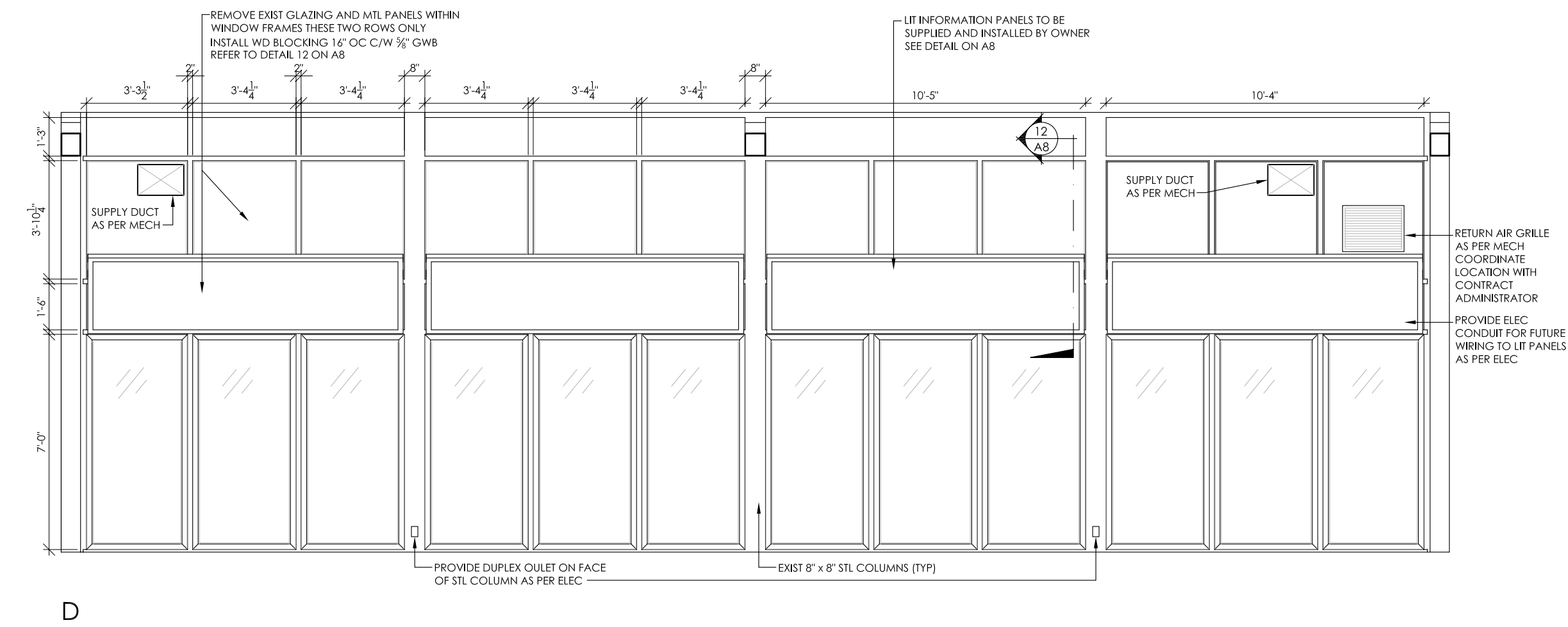
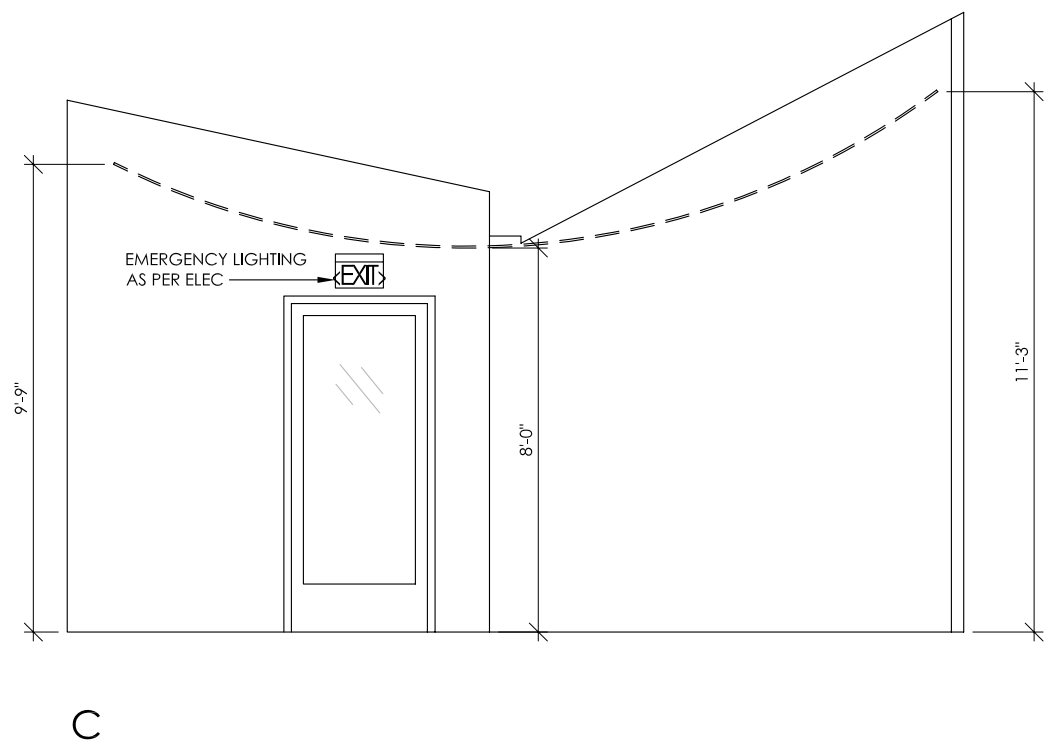
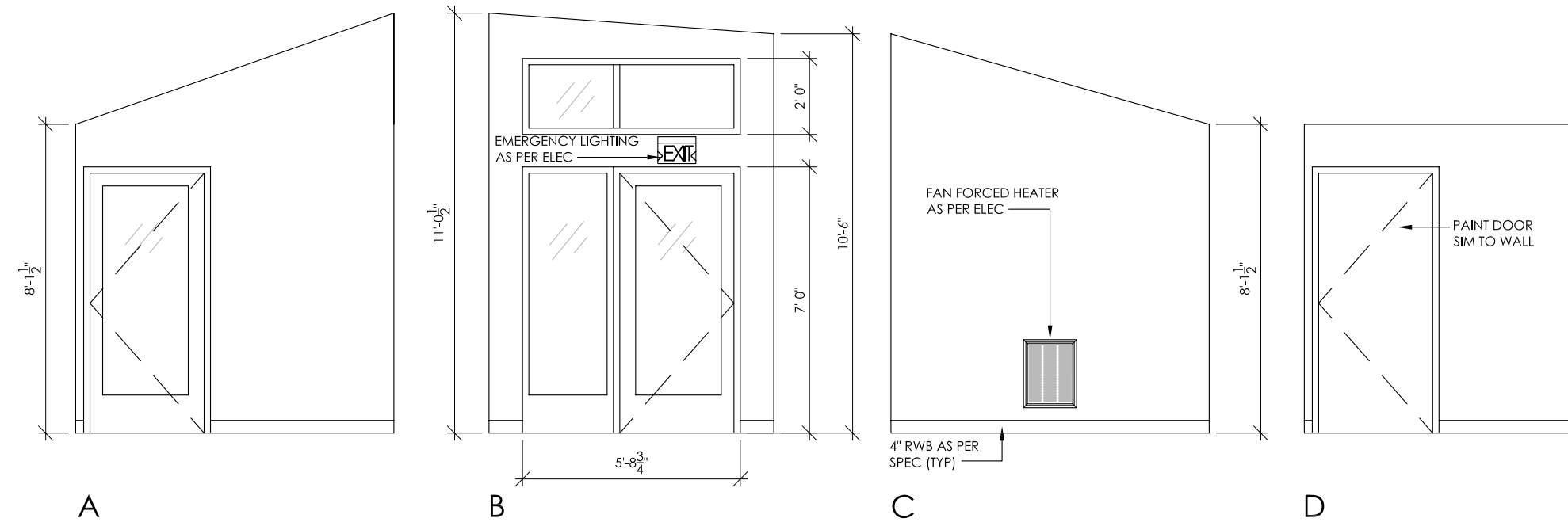
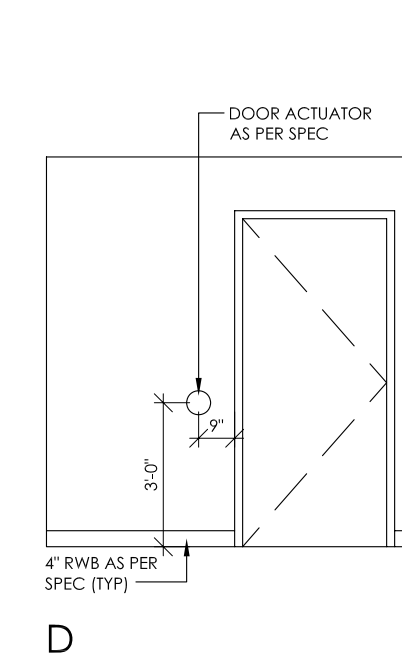
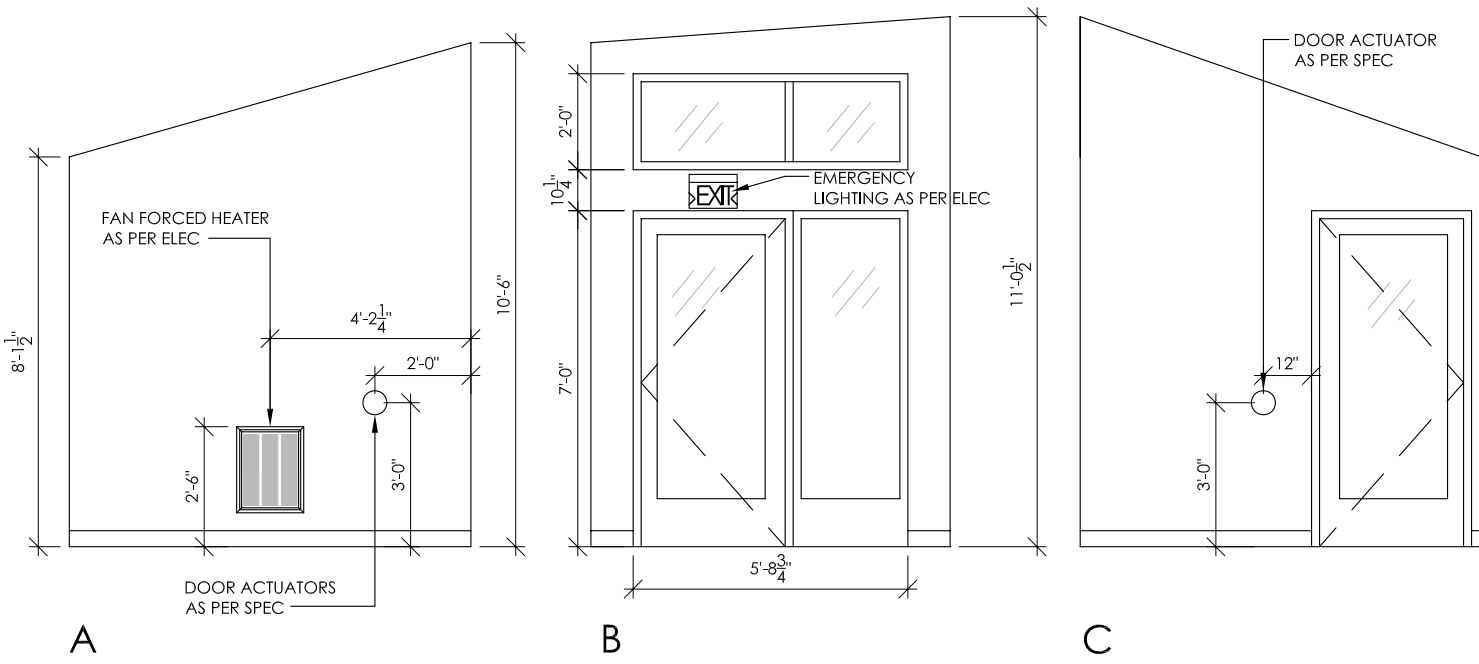


**2 WASHROOM - RM 102**  
1/4" = 1'-0"



**2 PAVILION - RM 103**  
1/4" = 1'-0"



**3 EAST VESTIBULE - RM 101**  
1/4" = 1'-0"

**4 WEST VESTIBULE - RM 105**  
1/4" = 1'-0"



Project:  
**ASIATIC LION PAVILION**  
ASSINIBOINE PARK ZOO  
WINNIPEG MB

Drawing Title:  
**INTERIOR  
ELEVATIONS**

Project Number: 0727

Date: FEB 5, 2009

Issued For: TENDER

Sheet No:

**A6**

This drawing is the property of the Architect and cannot be reproduced or used without the consent of the Architect. The Architect is responsible for checking and reporting all discrepancies to the Architect and Urban Distribution prior to construction.