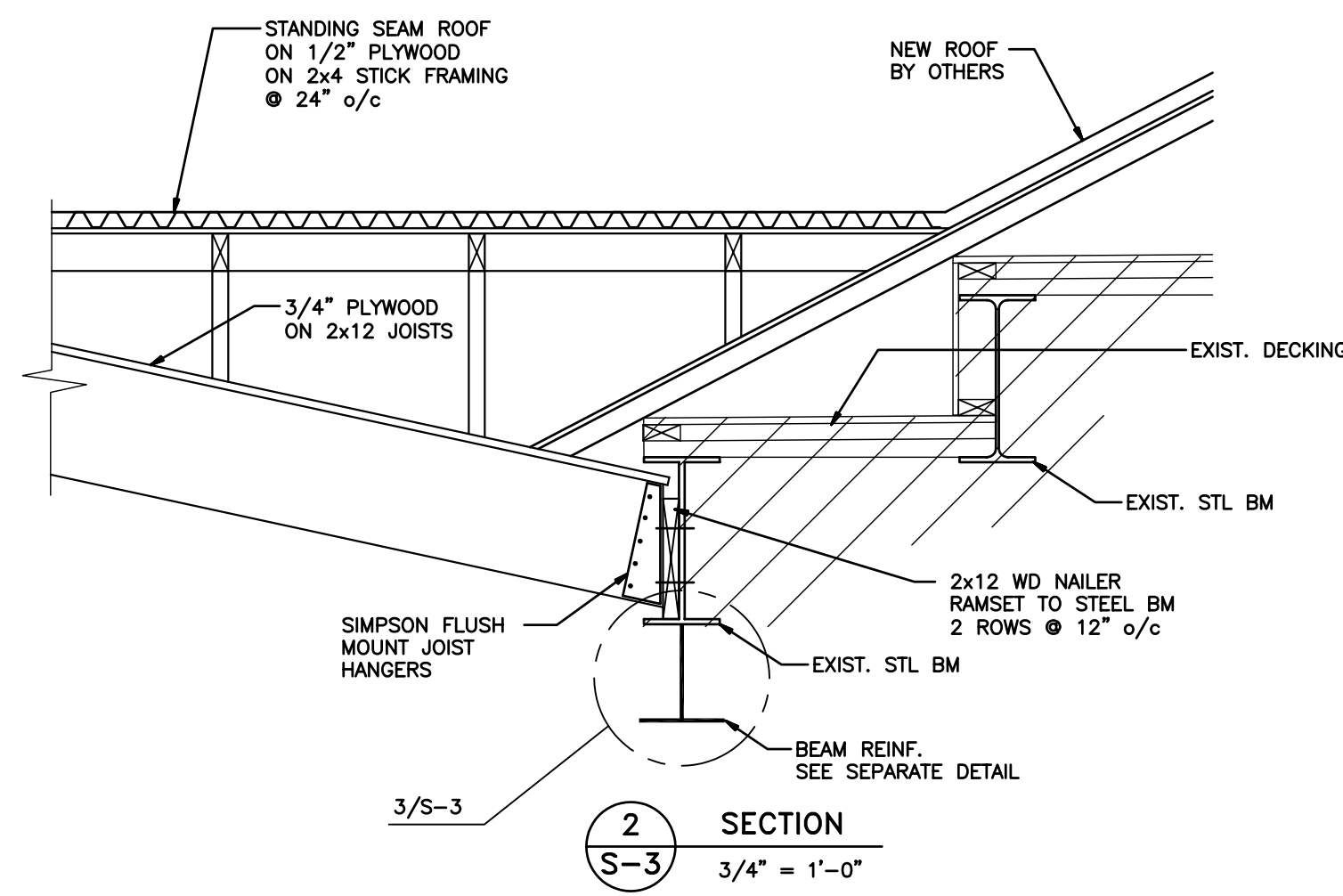
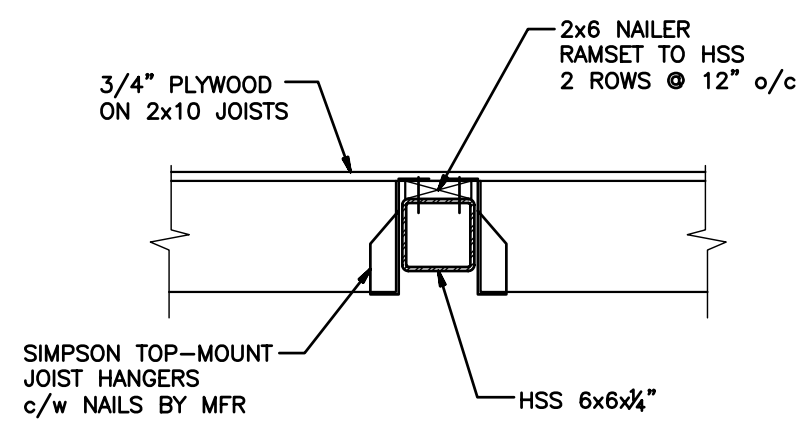


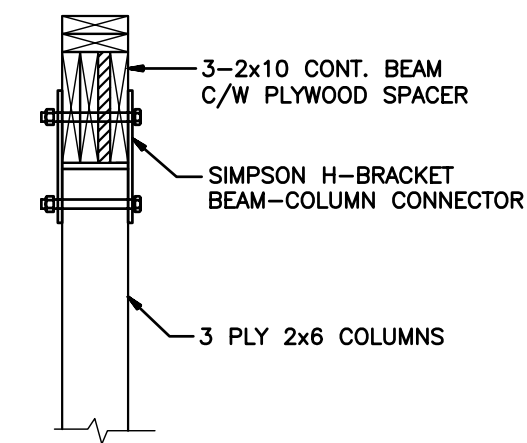
1 SECTION
S-3 3/4" = 1'-0"



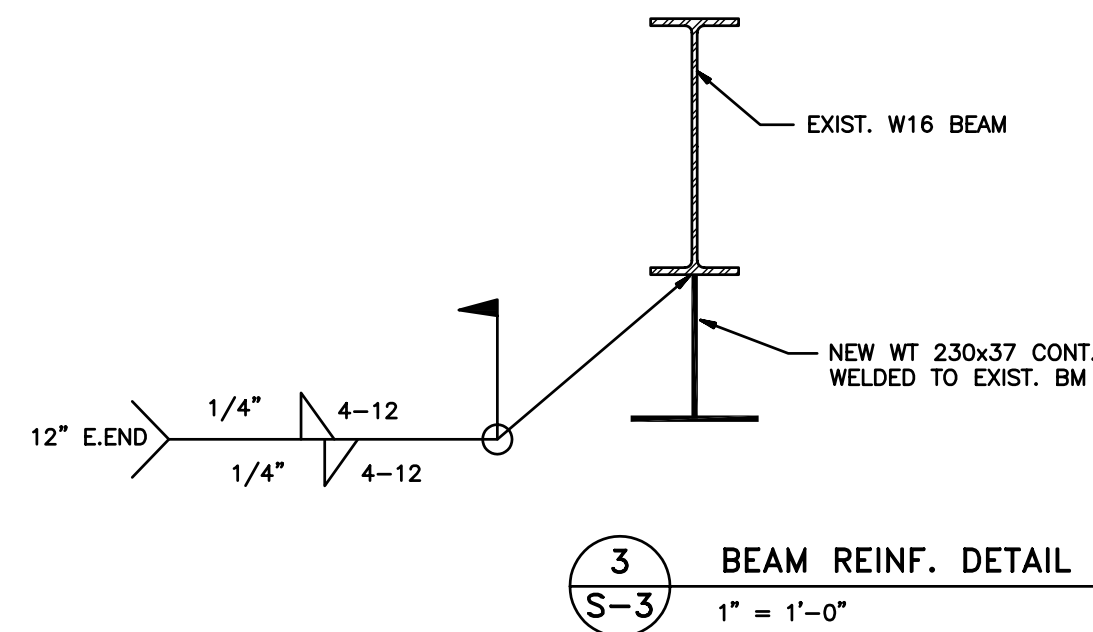
2 SECTION
S-3 3/4" = 1'-0"



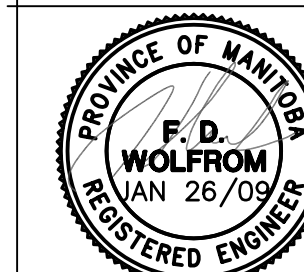
4 SECTION
S-3 3/4" = 1'-0"



5 SECTION @ COLUMNS
S-3 3/4" = 1'-0"



3 BEAM REINF. DETAIL
S-3 1" = 1'-0"



Project:
ASIATIC LION PAVILION
ASSINIBOINE PARK ZOO
WINNIPEG MB

Drawing Title:
SECTIONS AND
DETAILS

Project Number: w08152

Date: JAN 26 2009

Issued For: TENDER

Sheet No:

S3

This drawing is property of the Architect and cannot be reproduced or used without the consent of the Architect. The contractor is responsible for checking and verifying all details and dimensions on site. Report all discrepancies to the Architect immediately upon discovery to the contractor.