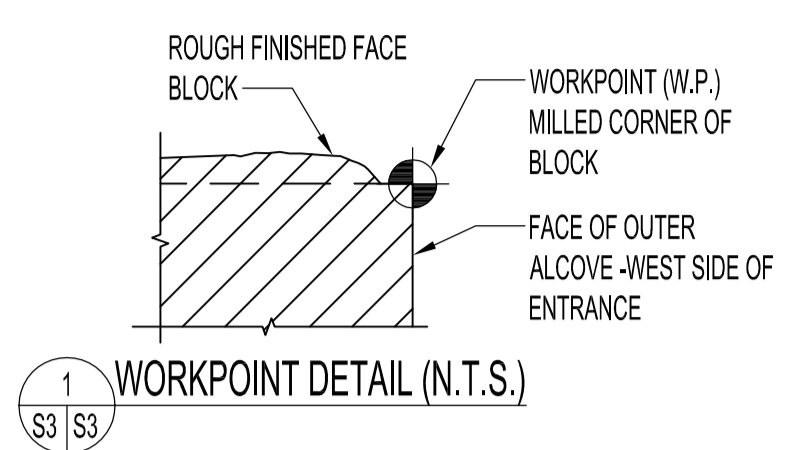
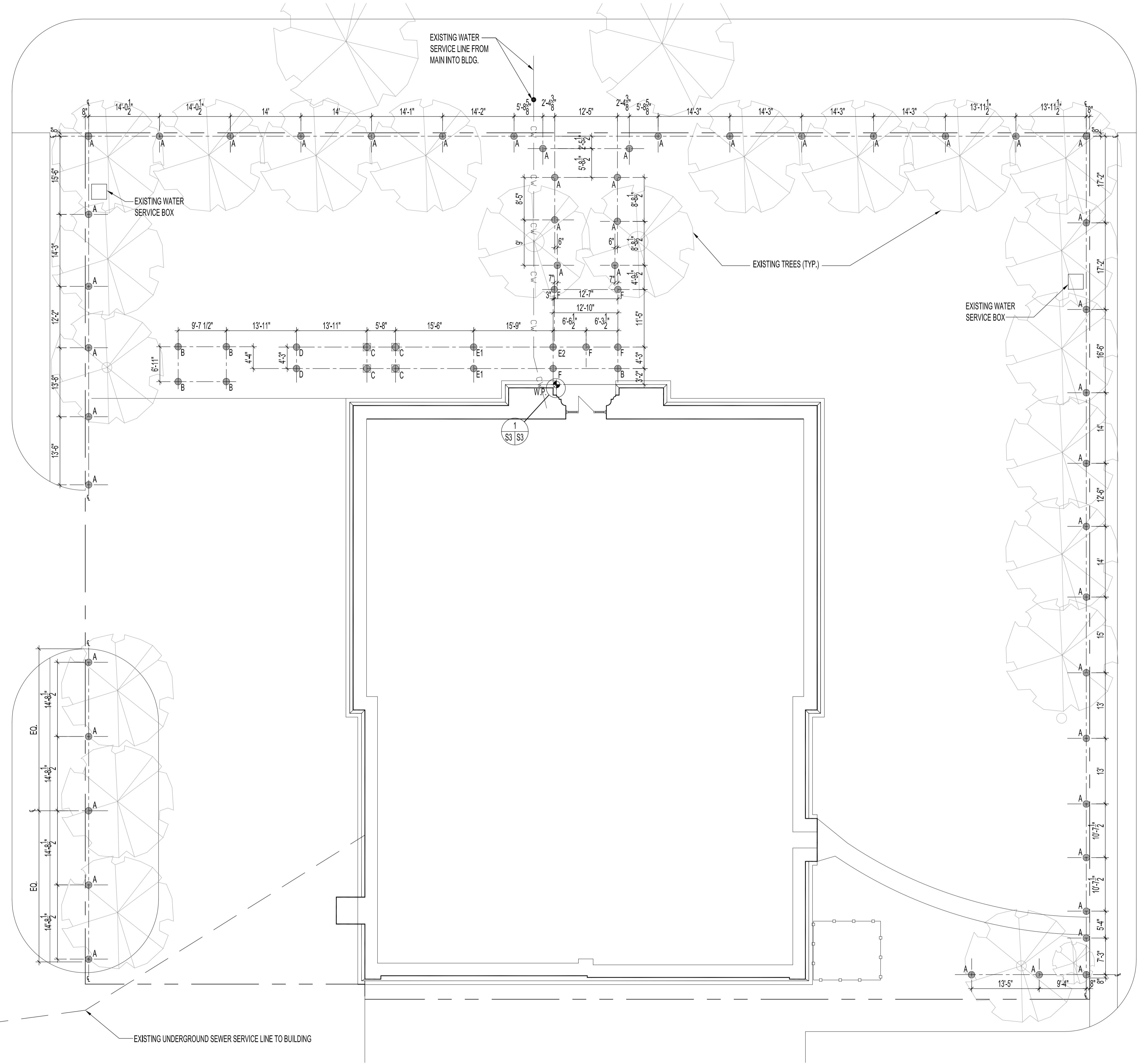


FILE NAME: 200808010.dwg S3
 DATE: 2009.08.25
 DESCRIPTION: PILING PLAN
 PROJECT No: 2008-080
 ADDRESS: 380 WILLIAM AVENUE

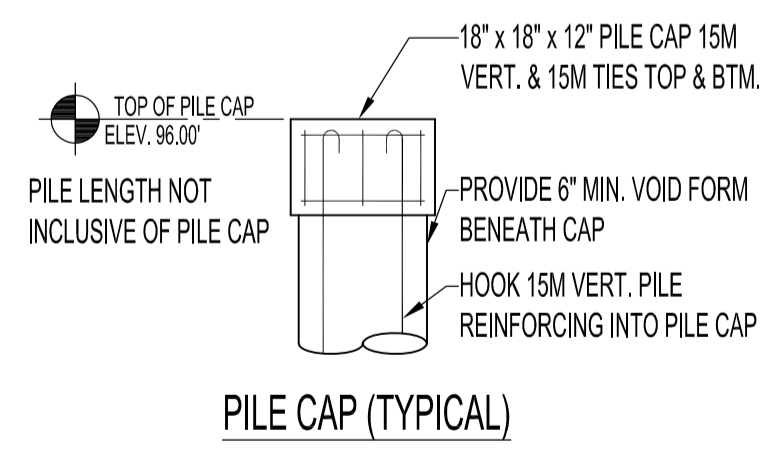
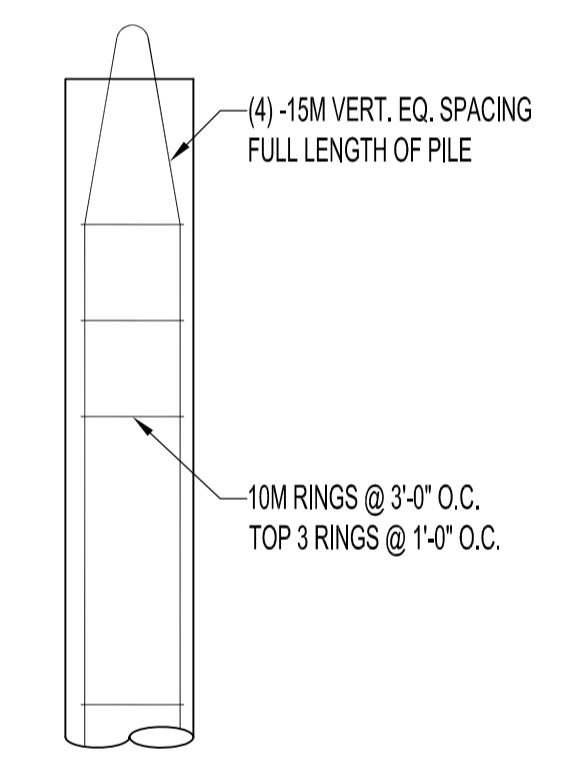
NOTES :



PILE SCHEDULE

MK.	DIA.	LENGTH	TOP ELEV.	NOTES
A	16"	12 FEET	VARIES - SEE FENCE CURB ELEV. DWG.	1
B	16"	25 FEET	95'-0"	1
C	16"	25 FEET	95'-0"	1, 2
D	16"	25 FEET	96'-0"	1
E1	16"	30 FEET	96'-0"	1
E2	16"	30 FEET	95'-0"	1
F	16"	27 FEET	95'-0"	1

- PILING NOTES:**
- CAST-IN-PLACE W/ SONOTUBE. WRAP TOP 6 FT. IN 10 MIL POLYETHYLENE & COAT INSIDE FACE OF SONOTUBE WITH GREASE FOR RESISTANCE TO FROST JACKING.
 - PROVIDE REINFORCED PILE CAP - SEE DETAIL.



ORIGINAL STAMPED BY: B. C. PINIUTA, P. ENG.
 DATE: 2009.10.08

NO.	REVISION/DESCRIPTION	BY	DATE
SEALS			

DRAWN BY: MMK
 CHECKED BY: USER APPROVAL
 DATE: 2009.08.25

CITY OF WINNIPEG
 PLANNING, PROPERTY AND DEVELOPMENT DEPARTMENT
 CIVIC ACCOMMODATIONS DIVISION
 300 - 65 GARRY ST. R3C 4K4

PROJECT
 CITY ARCHIVES BUILDING
 BARRIER FREE ACCESS TO ENTRANCE & FENCE RECONSTRUCTION
 380 WILLIAM AVENUE

SHEET TITLE

PILING PLAN

SCALE	PROJECT NO.	SHEET NO.
AS SHOWN	2008-080	S3

