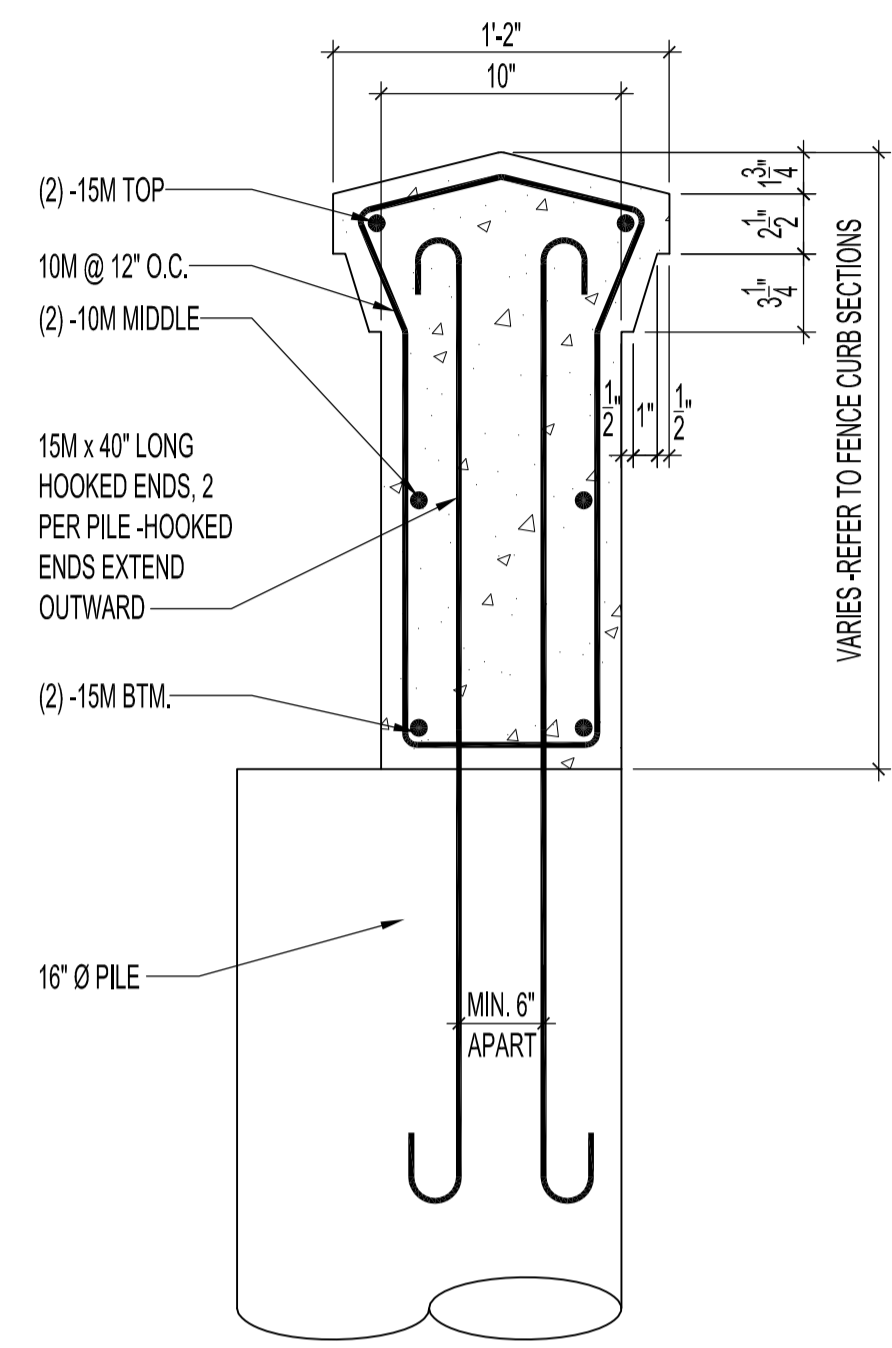
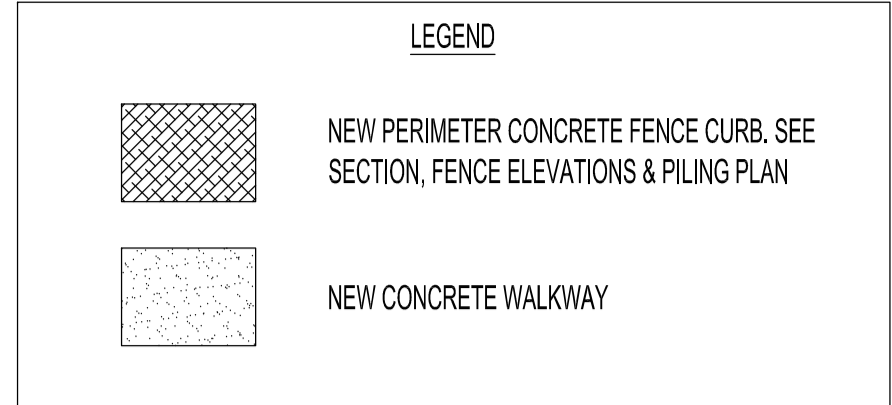
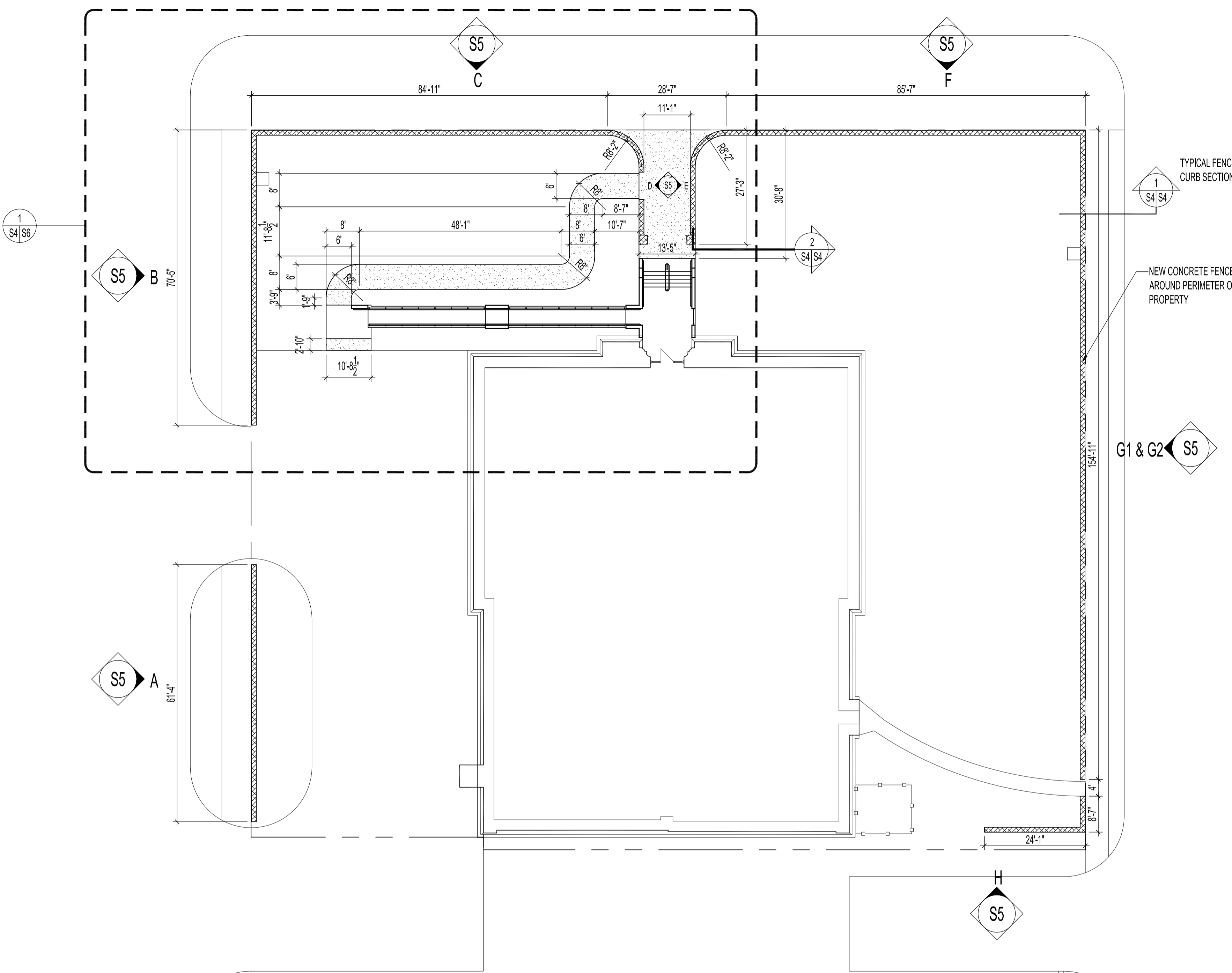


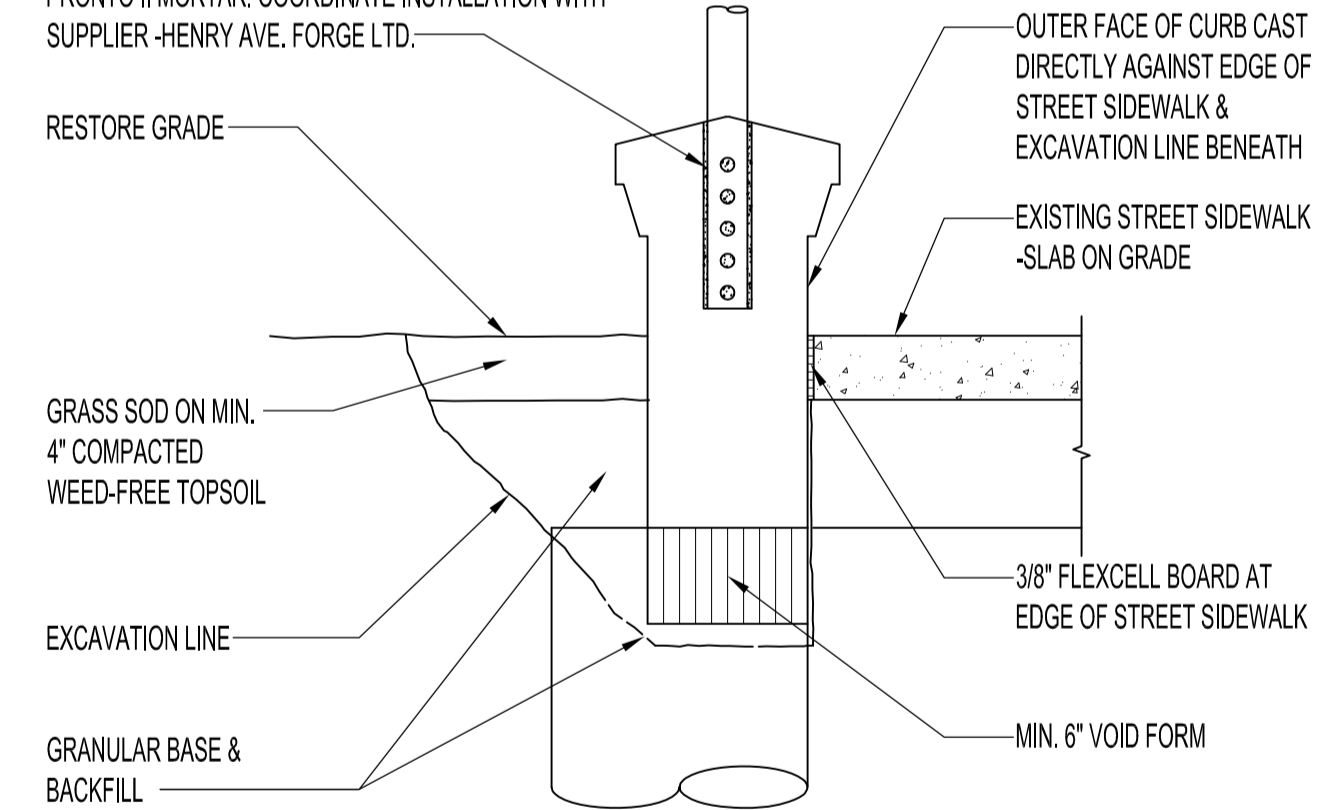
PROJECT No: 2008-080 ADDRESS: 380 WILLIAM AVENUE DATE: 2009.08.25 DESCRIPTION: NEW PERIMETER FENCE & WALKWAY PLAN FILE NAME: 200808010.dwg(S4)

NOTES :



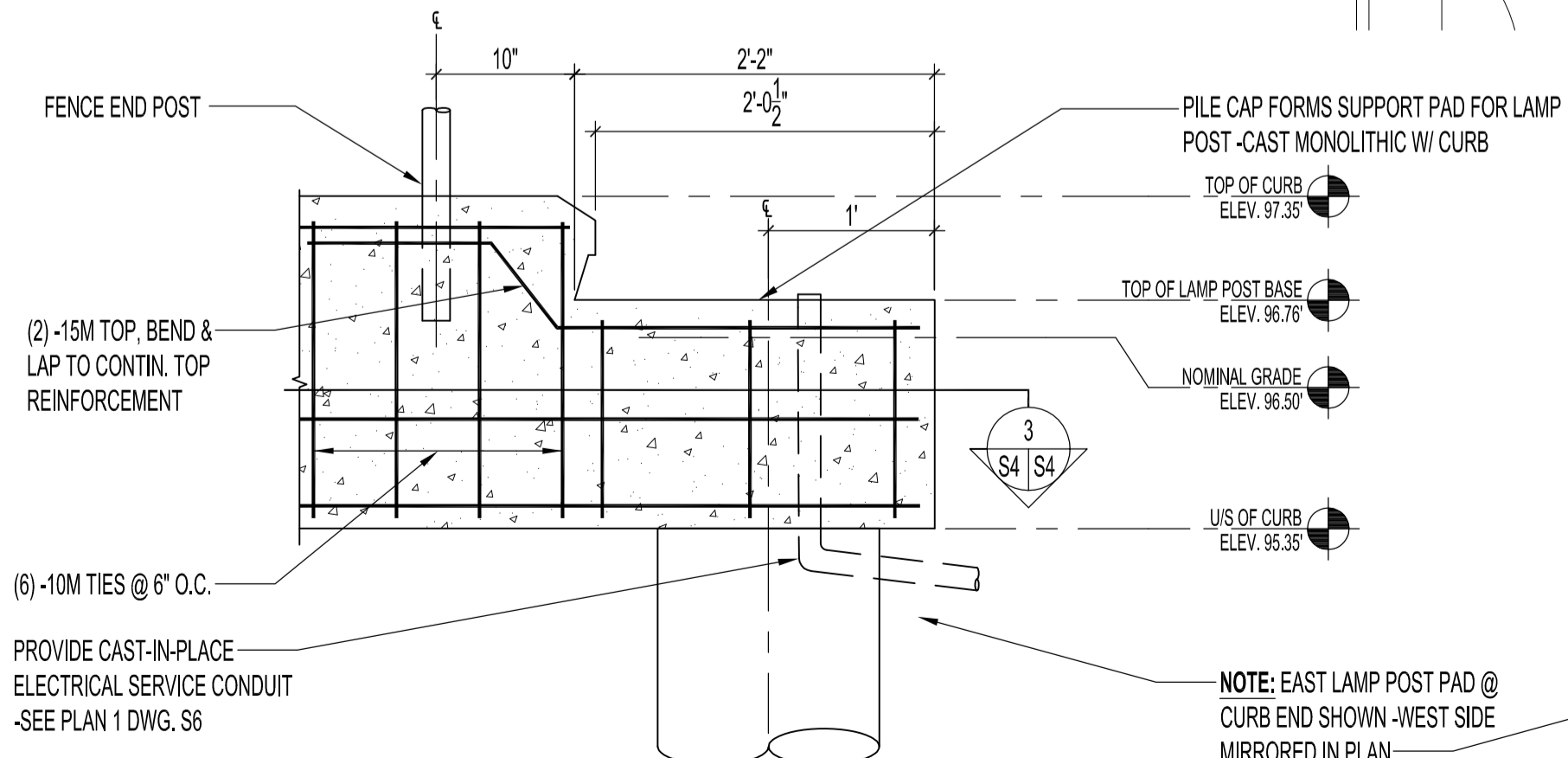
1 SECTION - NEW FENCE CURB PROFILE & REINFORCEMENT (TYPICAL)
S4/S4 SCALE: 1 1/2" = 1'-0"

CORE DRILL 3" Ø x 12" DEEP HOLES FOR NEW FENCE POSTS (CONTRACTOR MAY ELECT TO CAST REMOVABLE PLUGS IN SUBSTITUTE). HOLES SHALL BE LOCATED AS IDENTIFIED IN DRAWINGS. INSTALL NEW FENCE POSTS (SUPPLIED BY OTHERS) & GROUT IN PLACE W/ SIKA PRONTO II MORTAR. COORDINATE INSTALLATION WITH SUPPLIER - HENRY AVE. FORGE LTD.

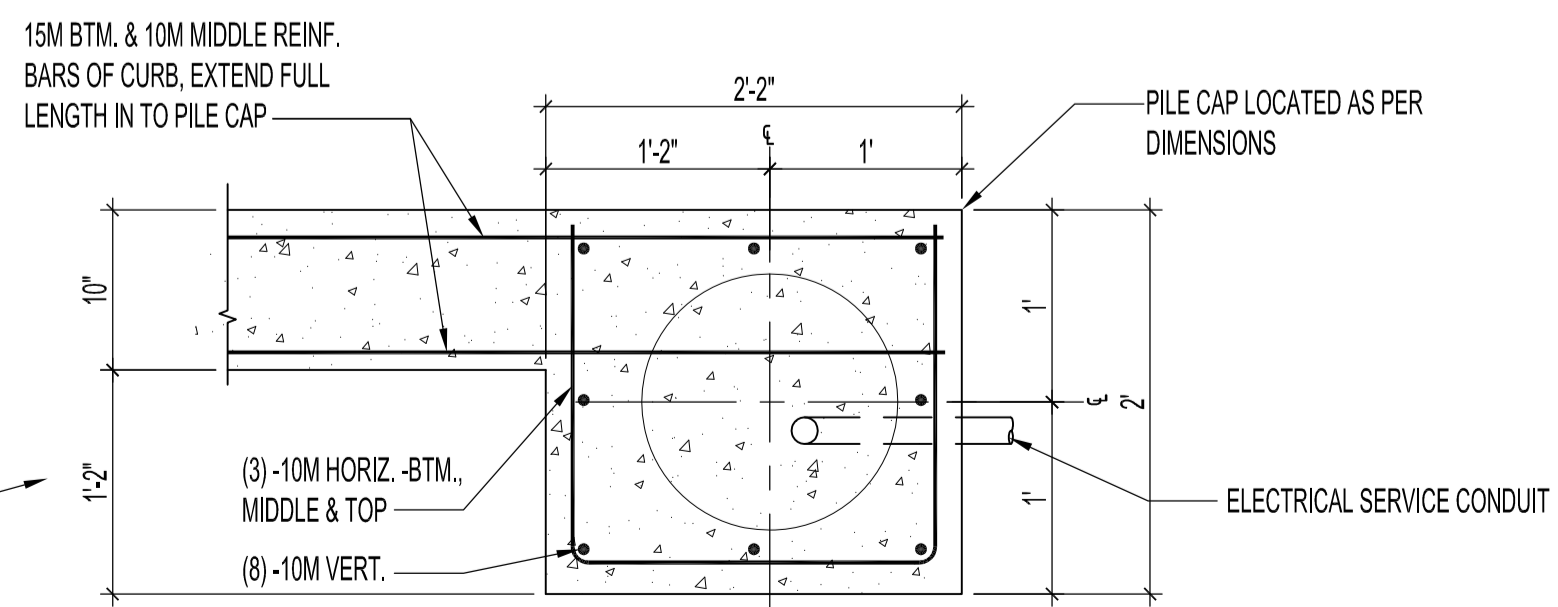


1 SECTION - NEW FENCE CURB & POST INSTALLATION (TYPICAL)
S4/S4 SCALE: 1" = 1'-0"

SITE PLAN - NEW PERIMETER FENCE & WALKWAY PLAN
SCALE: 1/16" = 1'-0"



2 SECTION - FENCE CURB (ELEV. 'E') W/ INTEGRAL LAMP POST PAD (2 LOCATIONS)
S4/S4 SCALE: 1" = 1'-0"



3 SECTION - PILE CAP AT CURB ELEV. E (2 LOCATIONS)
S4/S4 SCALE: 1" = 1'-0"

ORIGINAL STAMPED BY: B. C. PINIUTA, P. ENG.
DATE: 2009.10.08

| NO. | REVISION/DESCRIPTION | BY | DATE |
|-------|----------------------|----|------|
| SEALS | | | |

| DRAWN BY | CHECKED BY | APPROVED |
|----------|---------------|----------|
| MMK | USER APPROVAL | |

CITY OF WINNIPEG
PLANNING, PROPERTY AND DEVELOPMENT DEPARTMENT
CIVIC ACCOMMODATIONS DIVISION
300 - 65 GARRY ST. R3C 4K4

PROJECT
CITY ARCHIVES BUILDING
BARRIER FREE ACCESS TO ENTRANCE & FENCE RECONSTRUCTION
380 WILLIAM AVENUE

SHEET TITLE
NEW PERIMETER FENCE & WALKWAY PLAN

| SCALE | PROJECT NO. | SHEET NO. |
|----------|-------------|-----------|
| AS SHOWN | 2008-080 | S4 |