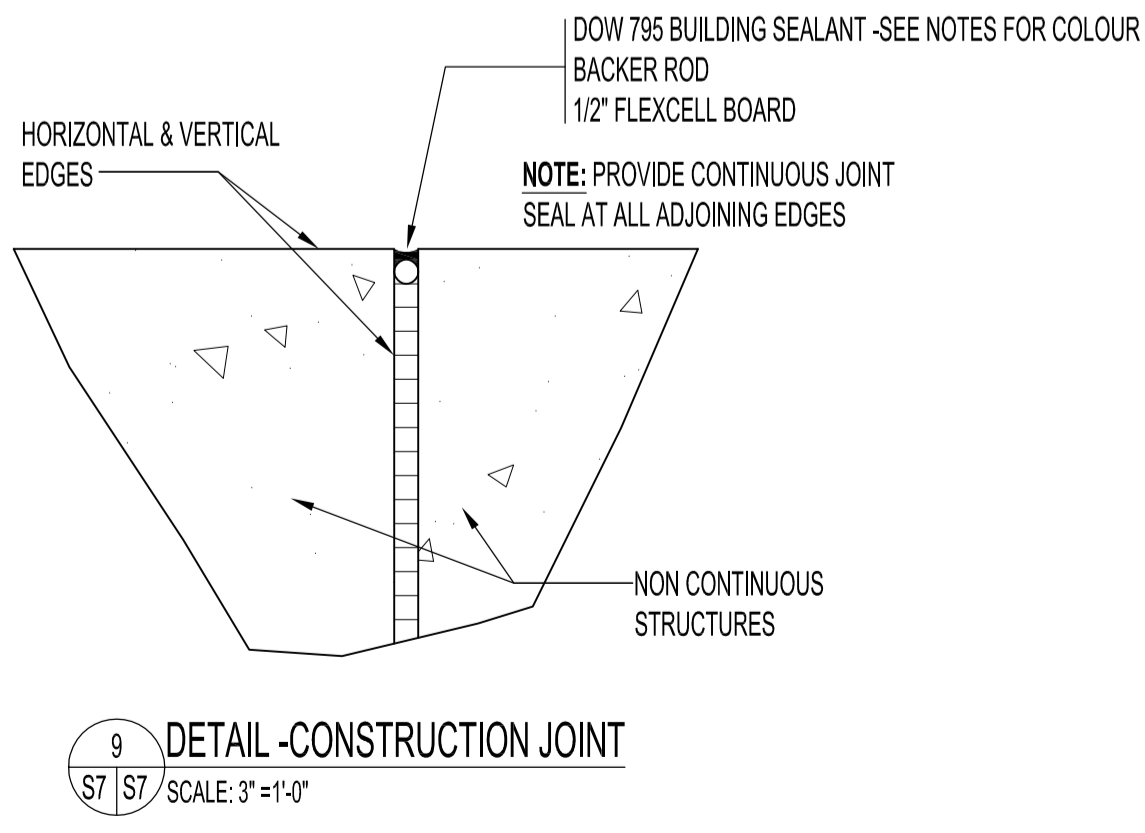
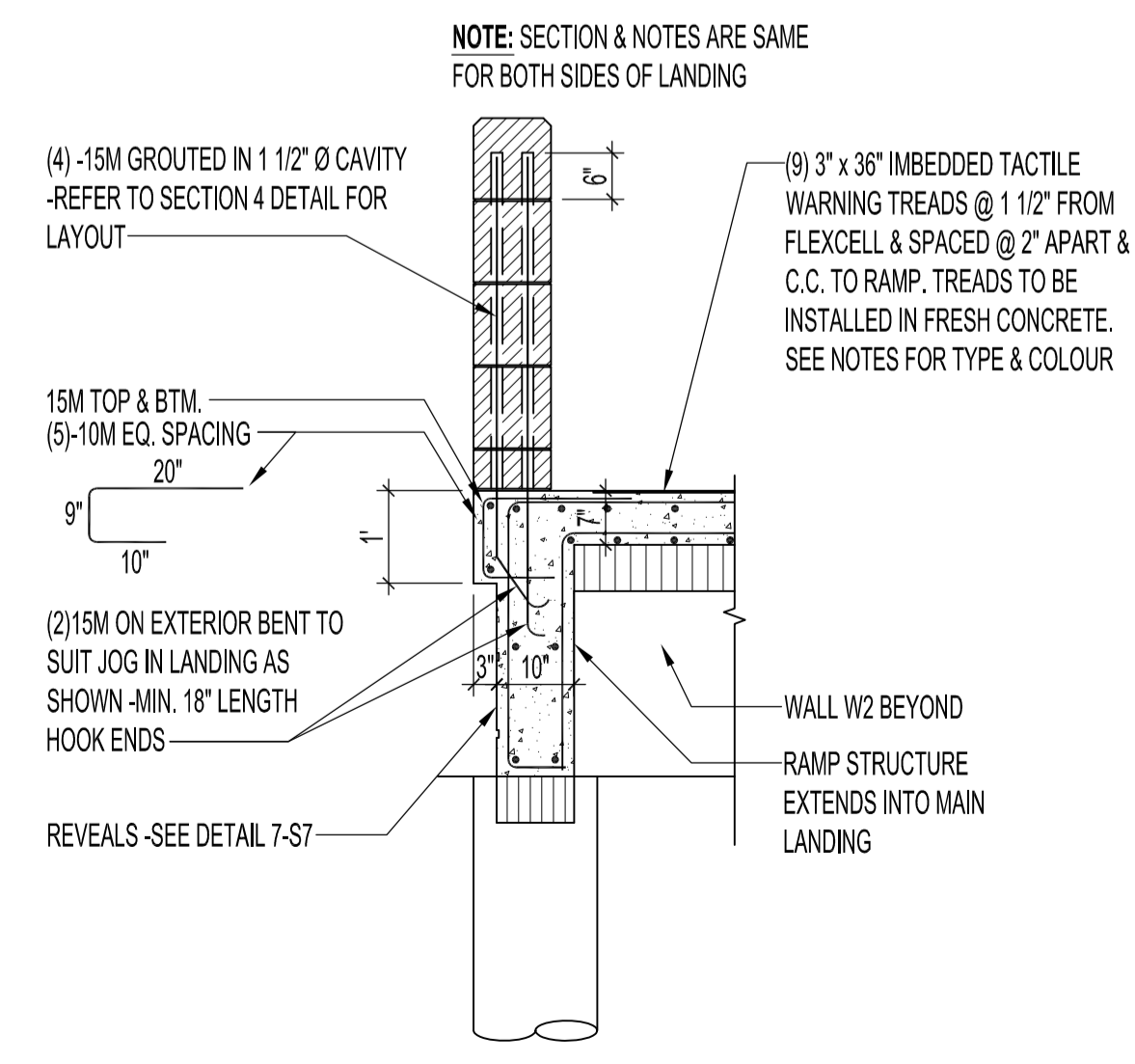
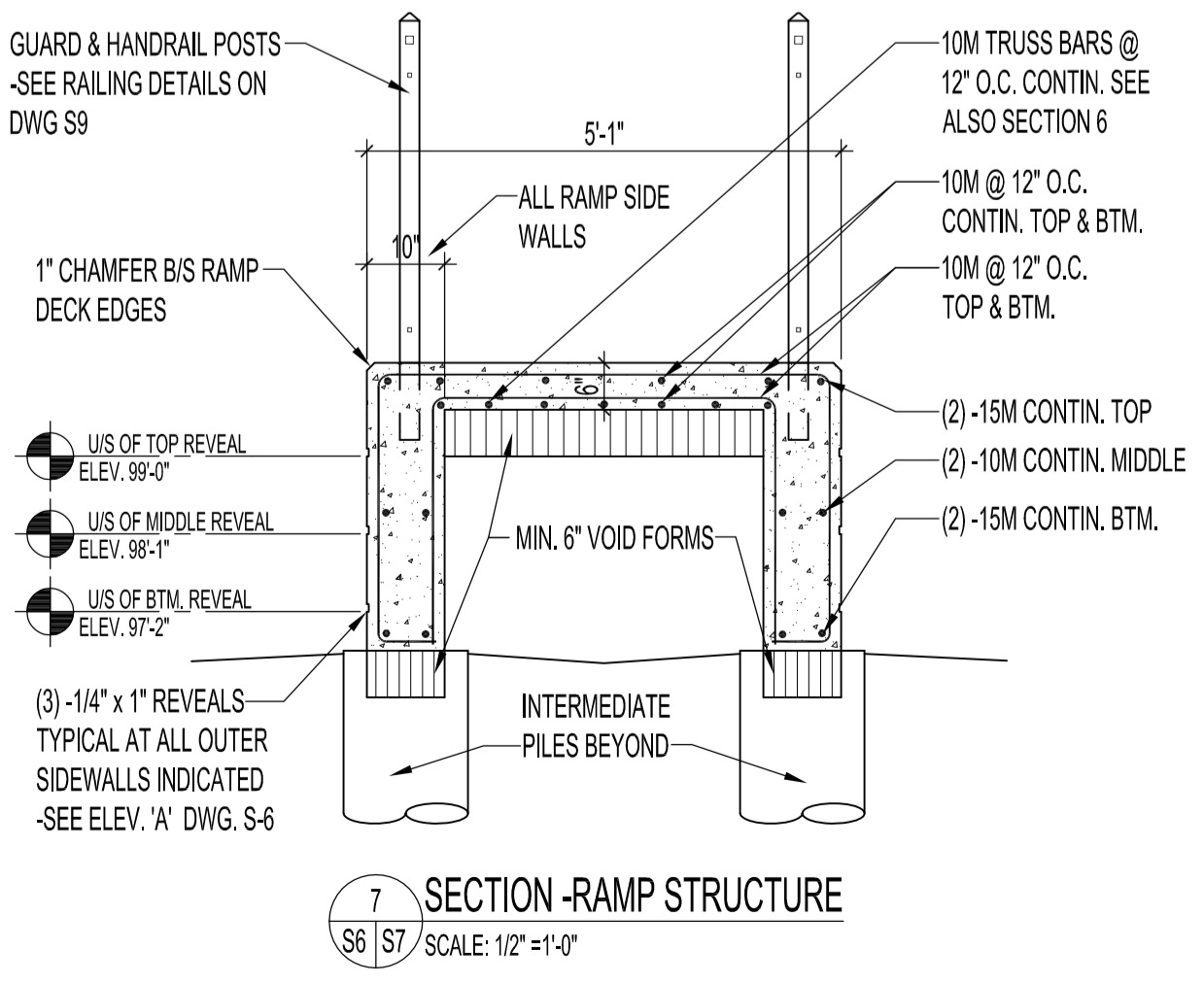
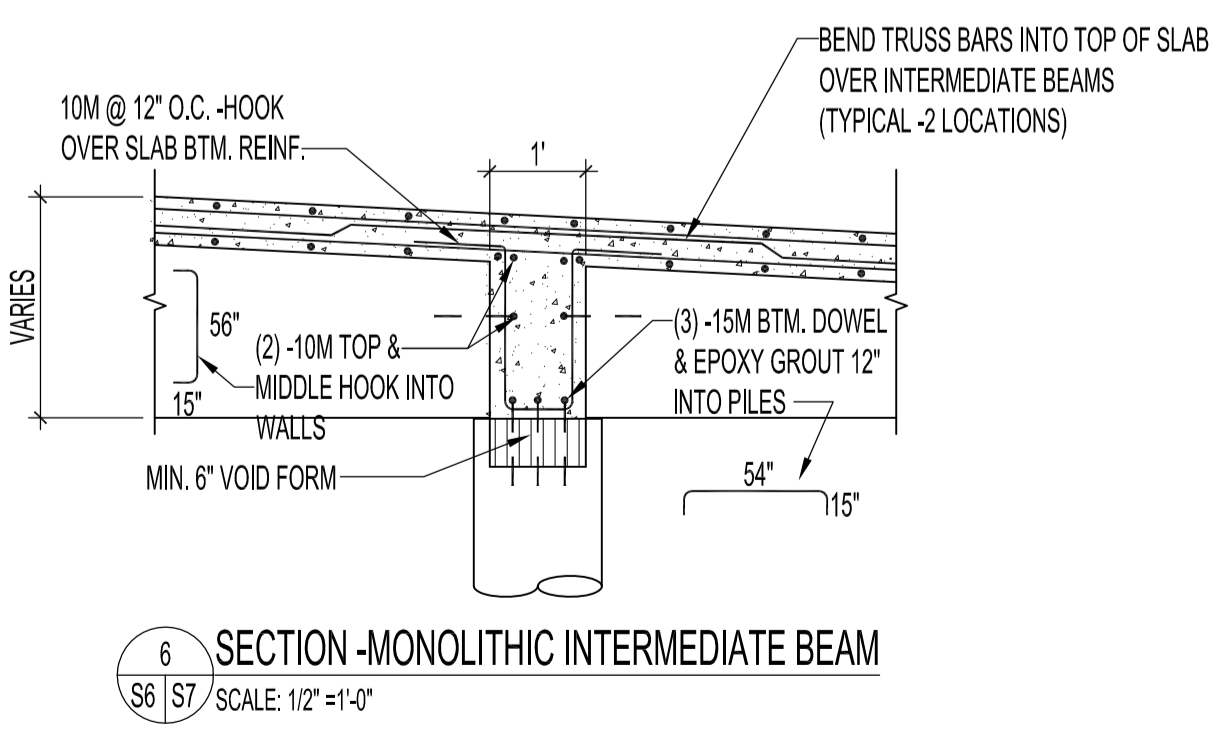
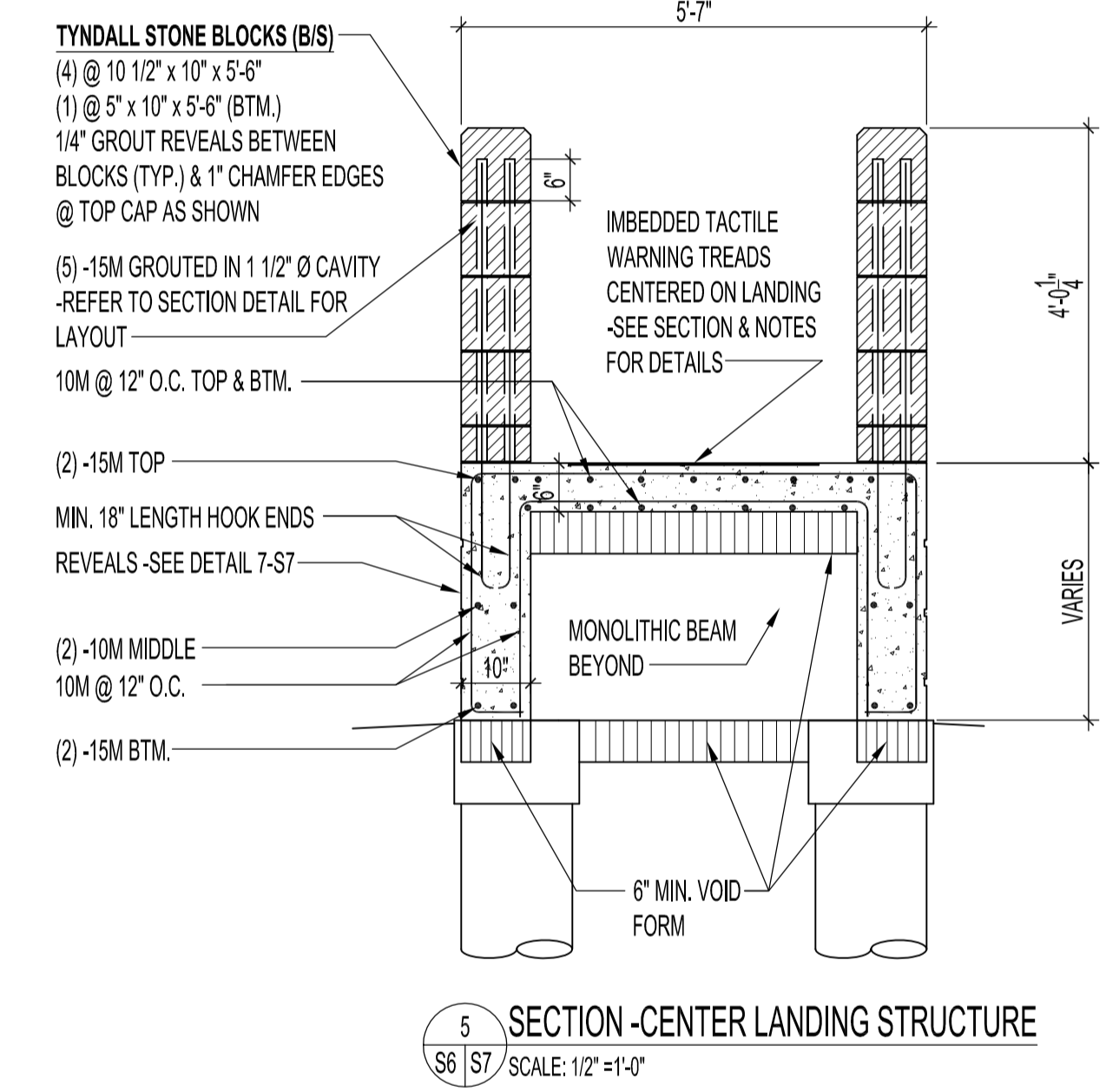
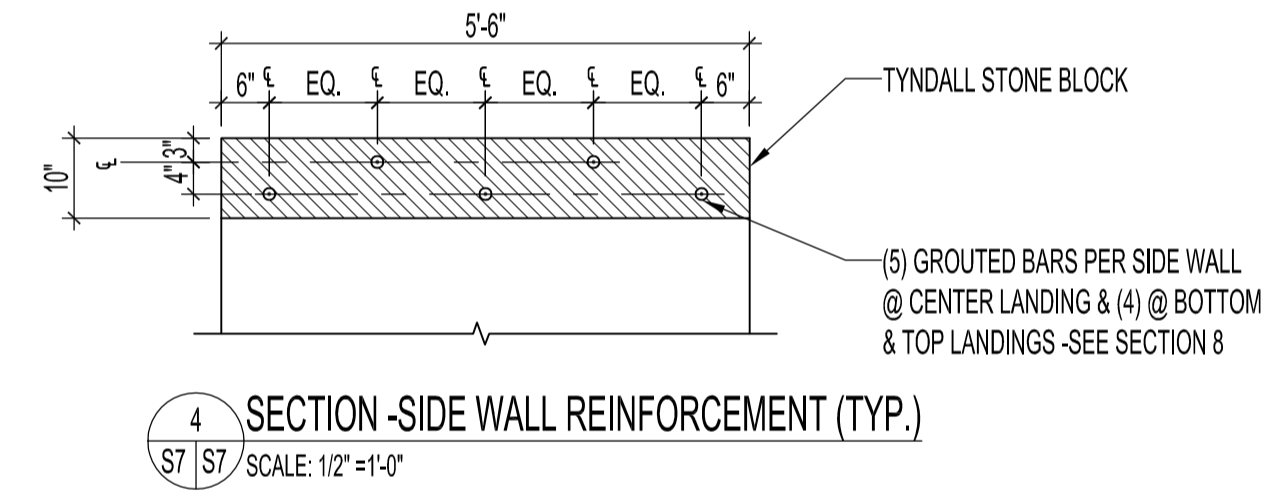
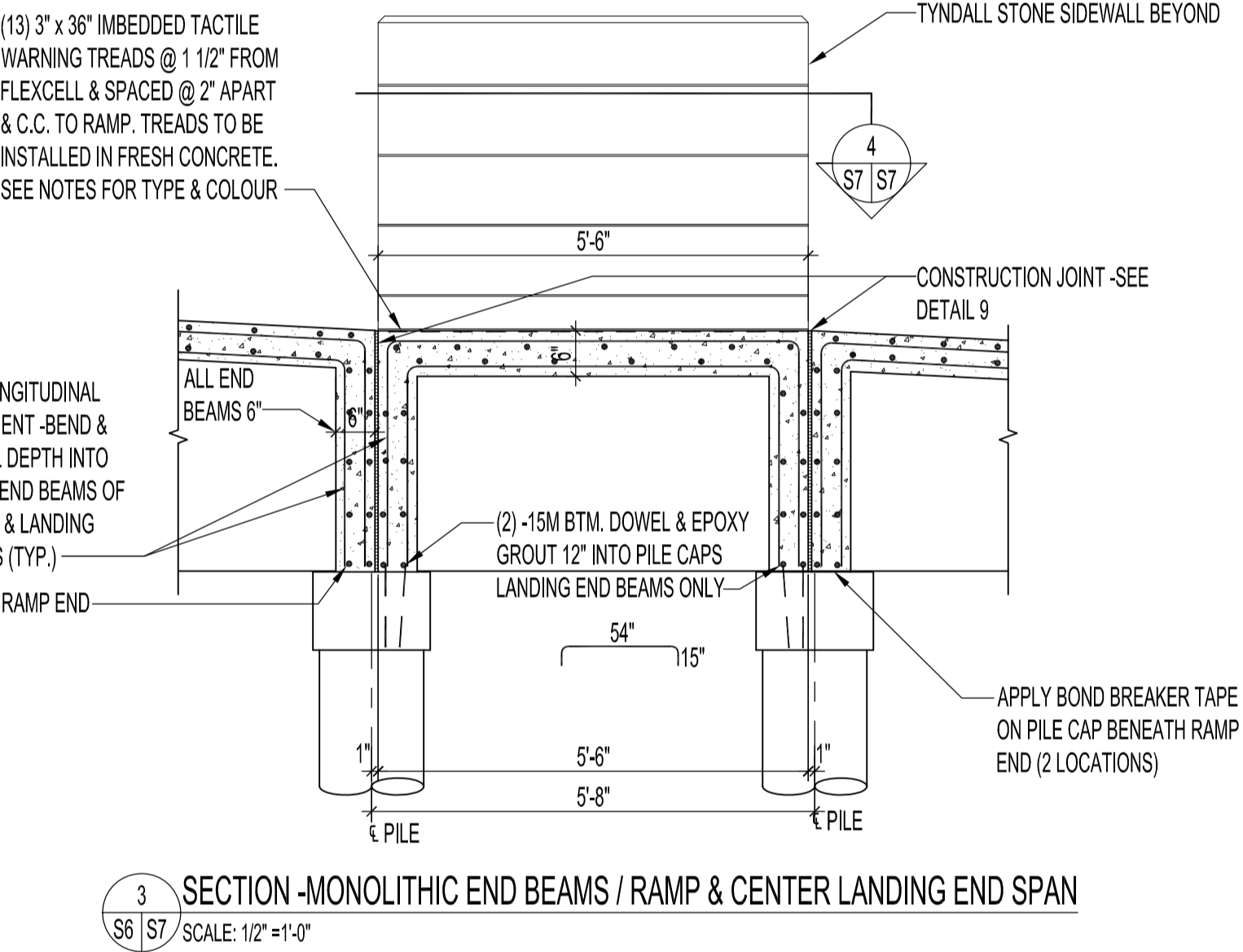
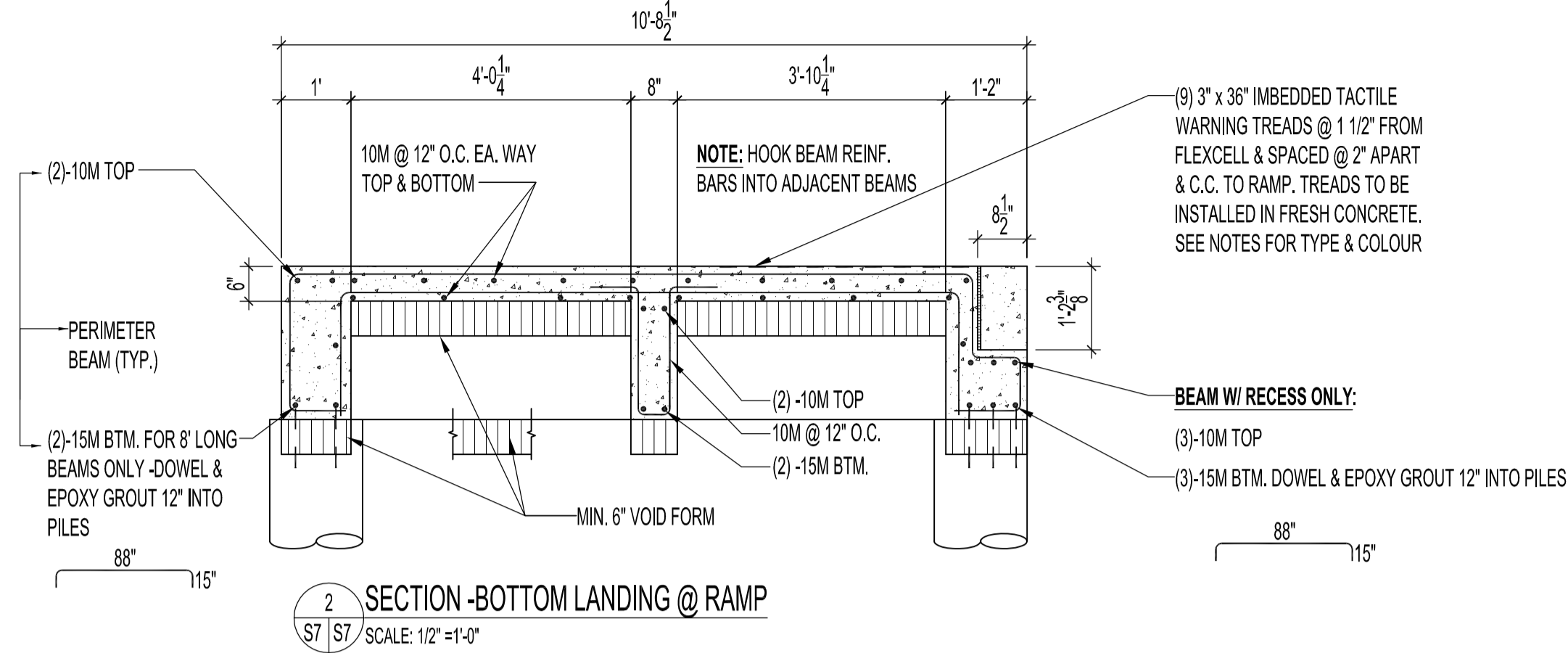
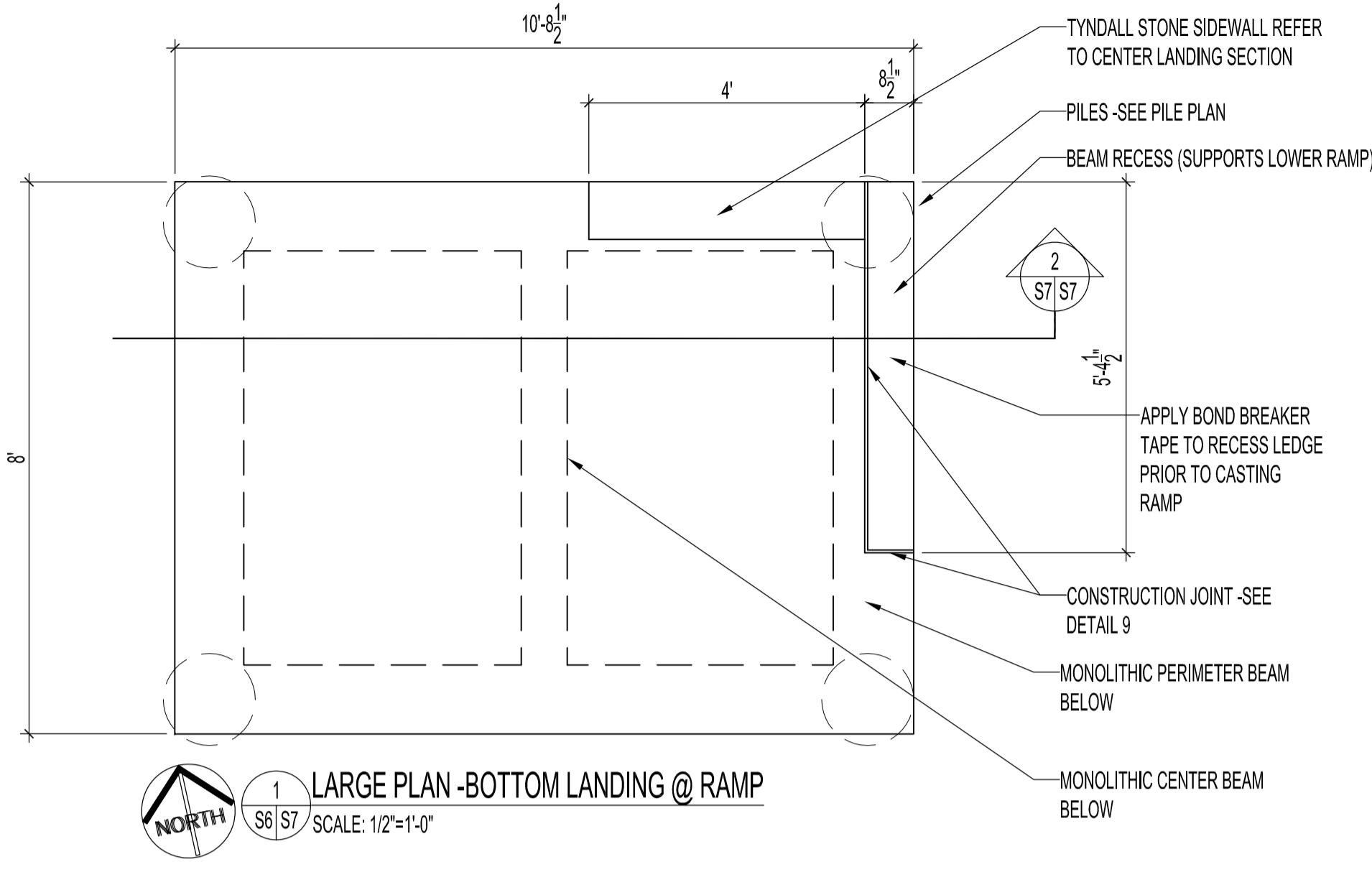


FILE NAME: 200808010.dwg DATE: 2009.08.25 DESCRIPTION: STRUCTURAL SECTIONS & DETAILS PROJECT NO: 2008-080 ADDRESS: 380 WILLIAM AVENUE



NOTES :
TACTILE WARNING/SAFETY TREADS
 ALL EXTERIOR TREADS ARE SUPERGRIT BY WOOSTER PRODUCTS IN 3" WIDTHS COLOUR BLACK BLA-1 TREADS FOR LANDINGS -TYPE 630 TREADS FOR STEPS -TYPE 231BF
 -ALL TREADS TO BE INSTALLED INTO FRESH CONCRETE.
 -ALL TREADS TO BE INSTALLED CENTERED BETWEEN RAILINGS AND IN LOCATION & SPACING AND SIZES AS NOTED ON SECTIONS.
 -REQUEST PROTECTIVE TAPE COVERING WHEN ORDERING.
 -INSTALL & ANCHOR AS PER MANUFACTURER'S INSTRUCTIONS.

CONTROL JOINT & CONSTRUCTION JOINT SEALANT
 PROVIDE CURED SAMPLES OF BOTH DOW 795 BUILDING SEALANT COLOUR 'LIMESTONE' AND COLOUR 'SANDSTONE' TO COMPARE WITH MOCK-UP OF LAFARGE COLOURED CONCRETE FOR RAMP STRUCTURE. CONTRACT ADMINISTRATOR SHALL PROVIDE SELECTION OF PRODUCT TO BE USED.

ORIGINAL STAMPED BY: B. C. PINIUTA, P. ENG.
 DATE: 2009.10.08

NO.	REVISION/DESCRIPTION	BY	DATE

DRAWN BY: MMK CHECKED BY: USER APPROVAL
 DATE: 2009.08.25

CITY OF WINNIPEG
 PLANNING, PROPERTY AND DEVELOPMENT DEPARTMENT
 CIVIC ACCOMMODATIONS DIVISION
 300 - 65 GARRY ST. R3C 4K4

PROJECT: CITY ARCHIVES BUILDING
 BARRIER FREE ACCESS TO ENTRANCE & FENCE RECONSTRUCTION
 380 WILLIAM AVENUE

SHEET TITLE: STRUCTURAL SECTIONS & DETAILS

SCALE: AS SHOWN PROJECT NO: 2008-080 SHEET NO: S7

DRAWING SHEET SIZE: A1 (841mm x 594mm) PLOT 1:1