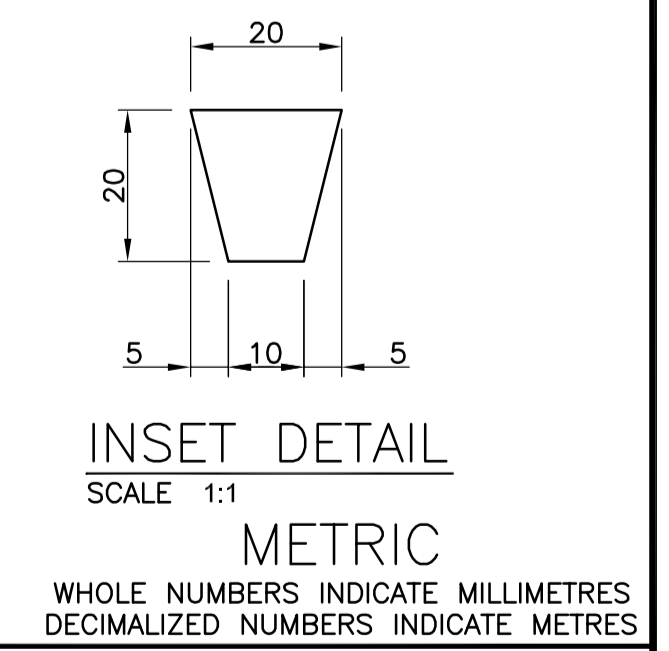
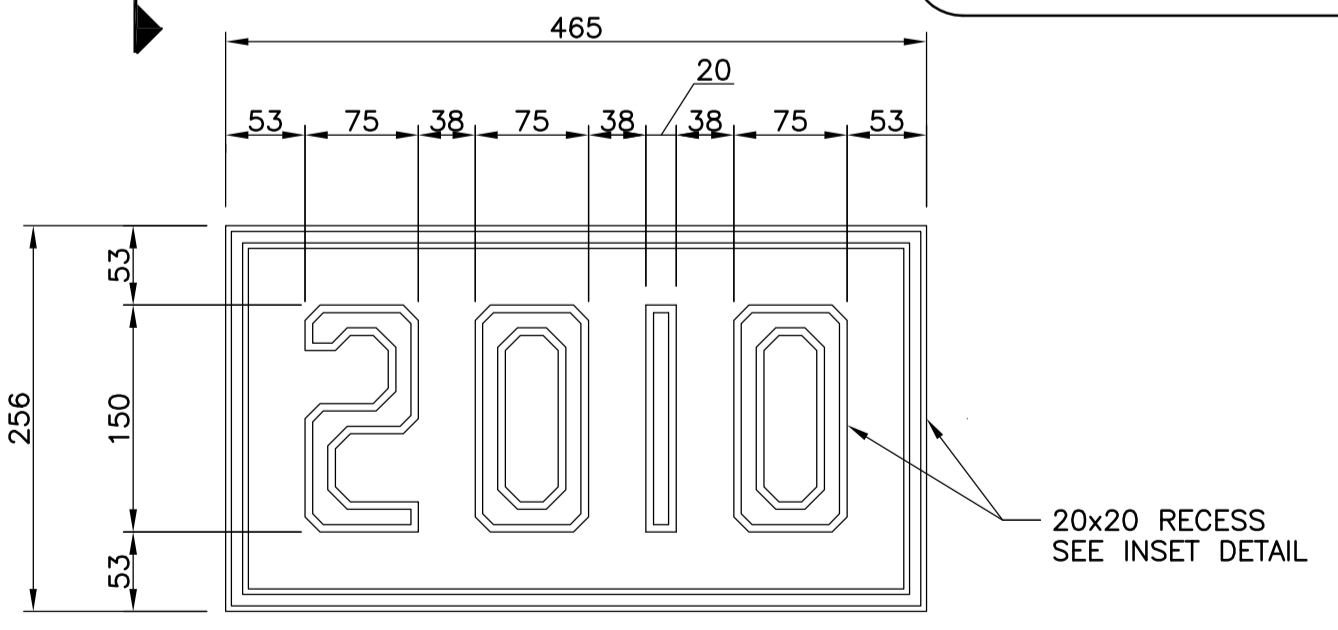


- NOTES:**
- EXISTING HYDRO DUCTS TO BE RAISED AND SUPPORTED DURING CONSTRUCTION.
 - EXISTING WATERMAIN TO BE RELOCATED.
 - EXISTING GAS, MTS, FIBER OPTIC CABLE TO BE SUPPORTED DURING CONSTRUCTION.

MINIMUM LAP LENGTH

10M - 400 mm
15M - 600 mm
20M - 800 mm
25M - 1000 mm
30M - 1200 mm
35M - 1400 mm

- CLEAR COVER FOR REINFORCING STEEL**
- PERMANENTLY EXPOSED TO EARTH - 75 mm
 - ALL OTHER UNLESS OTHERWISE NOTED 60 mm



B.M. ELEV.	37-023 1320 Ellice Ave. N.W. Corner Bldg Fndtn.	DESIGNED BY	KGW
	233.965 m	DRAWN BY	RCB
		CHECKED BY	KGW
		APPROVED BY	ORIGINAL SIGNED BY: BWB
		HOR. SCALE	AS SHOWN
		VERTICAL SCALE	AS SHOWN
0	ISSUED FOR TENDER 2009.11.05 SJM	RELEASED FOR ORIGINAL CONSTRUCTION SIGNED BY:	M.B. CHISLETT
NO.	REVISIONS	DATE	2009.11.02
		DATE	2009.11.23

DILLON CONSULTING

ENGINEER'S SEAL

ORIGINAL SIGNED BY
K.G. WILLIS
2009.11.05

CONSULTANT PROJECT NO.
088683

THE CITY OF WINNIPEG
PUBLIC WORKS DEPARTMENT

OMAND'S CREEK CULVERT THROUGH ST. MATTHEWS AVENUE

CITY DRAWING NUMBER
C331-09-05

SHEET **5** OF **13**

BID OPPORTUNITY NUMBER
801-2009

G:\CAD\088683\Contract\Drawings\Revisions\088683_51(04P).dwg