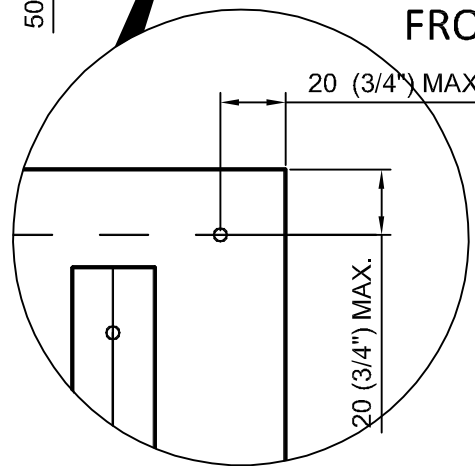
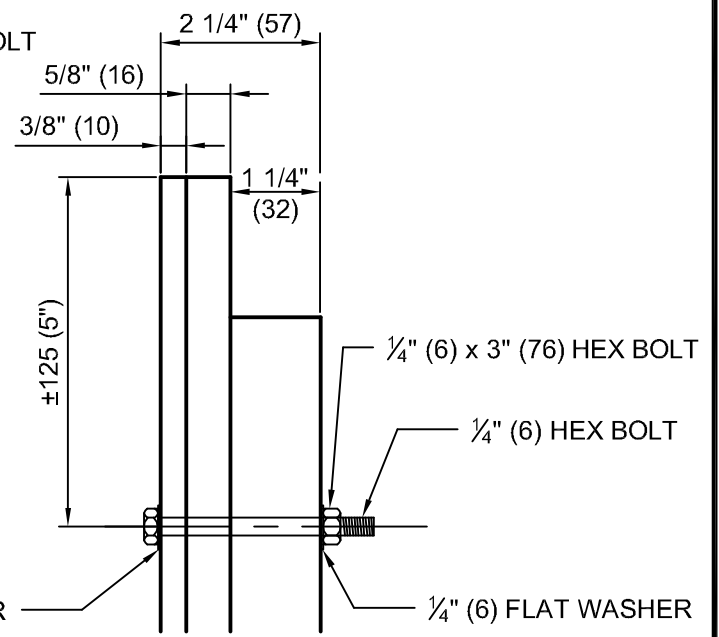


FRONT ELEVATION



SIZE A SIGN DETAIL



SIDE ELEVATION

NOTE: ALL DIMENSIONS SHOWN ARE IN MILLIMETRES AND INCHES

**INFRASTRUCTURE SIGNS
INSTALLATION DETAILS**

SCALE:	N.T.S.
DRAWING No.	SND - 21
CAD FILE.	?

DRAWN BY AP	DATE 2009-11-0	DESIGN	DATE
PRELIM CHK GC		CHECK	

APPROVED BY:

DATE