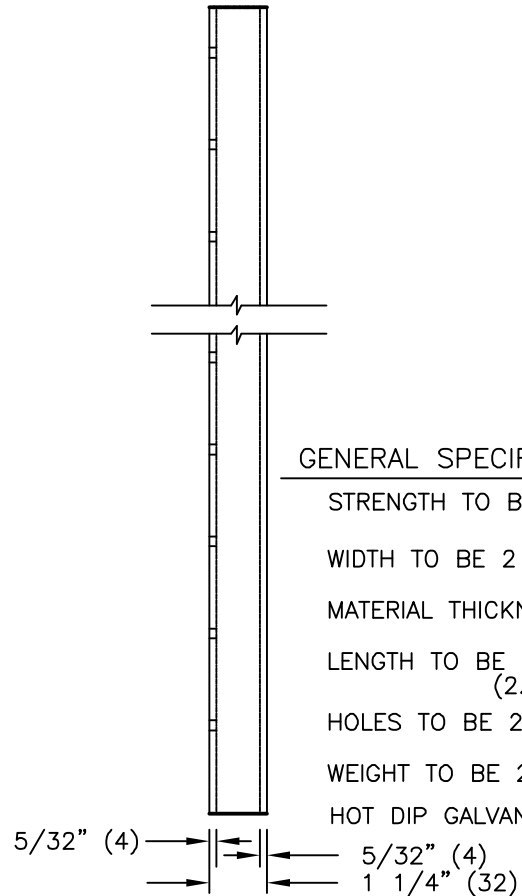


FRONT ELEVATION



SIDE ELEVATION

GENERAL SPECIFICATION (IMPERIAL)

STRENGTH TO BE MINIMUM 60,000 P.S.I.
(2872.816 KPa)
WIDTH TO BE 2 1/2" (64)
MATERIAL THICKNESS .157" (4) OR 8 GA.
LENGTH TO BE 8'-0", 10'-0", 12'-0"
(2.44m), (3.05m), (3.66m)
HOLES TO BE 2" (51) O.C. FULL LENGTH
WEIGHT TO BE 2 lbs PER FOOT (3kg/m)
HOT DIP GALVANIZED TO CSA G164 SPEC

NOTE: ALL DIMENSIONS SHOWN ARE IN MILLIMETRES AND INCHES

		SIGN POST DETAILS		SCALE: 3" = 1'-0"
				DRAWING No. SND-22
DRAWN BY A.R.	DATE 90/03/28	DESIGN	DATE	APPROVED BY:
PRELIM CHK t.w.h.	CHECK			DATE
				CAD FILE. TSERVICE\SND22