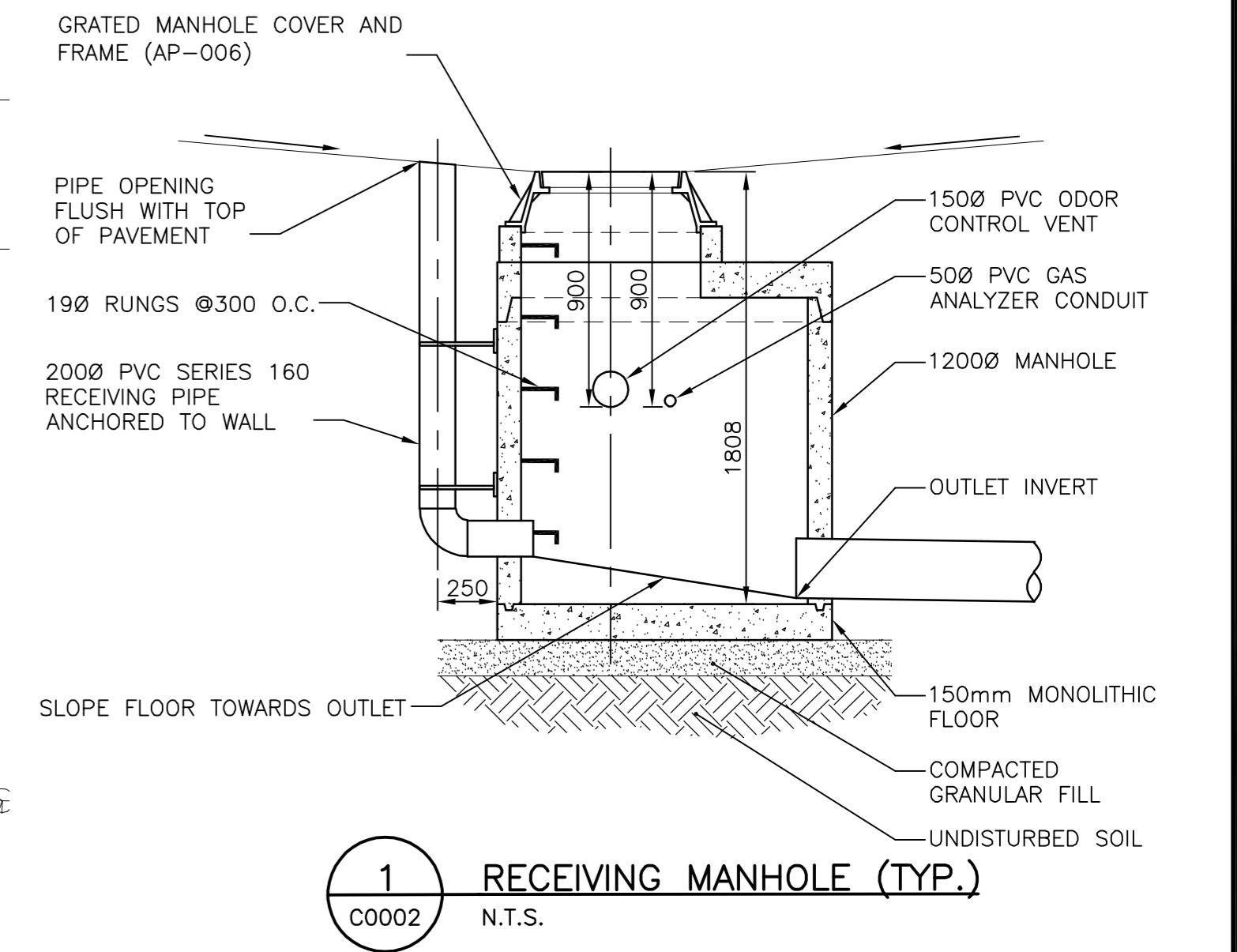
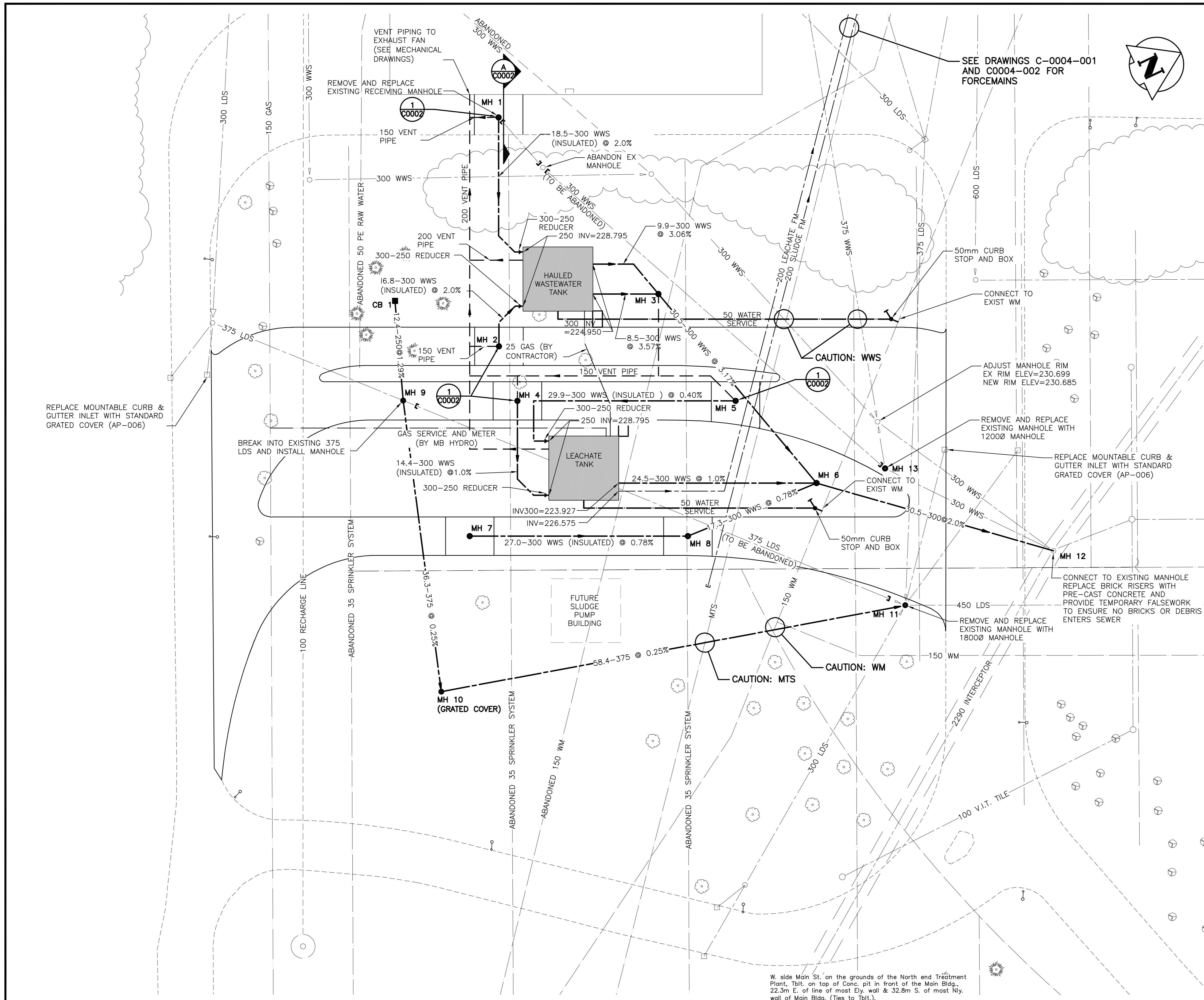


MANHOLE DATA						
MH#	TYPE	COVER	RIM ELEV.	INVERT	NORTHING	EASTING
MH1	RECEIVING	AP-006	230.888	300E=229.165	5534857.2	635737.8
MH2	RECEIVING	AP-006	230.660	300W=228.931	5534845.0	635763.4
MH3	SD-010	AP-004	230.900	300S,E&W=224.647	5534865.6	635766.0
MH4	RECEIVING	AP-006	230.640	300E=228.931	5534844.2	635770.4
MH5	RECEIVING	AP-006	230.430	300S=228.915	5534868.6	635782.1
MH6	SD-010	AP-004	231.000	300S,W&N=223.680 300E=228.617	5534873.2	635795.5
MH7	SD-010	AP-006	230.770	300N=228.962	5534831.7	635783.0
MH8	SD-010	AP-006	230.560	300N&S=228.752	5534856.0	635794.6
MH9	SD-010	AP-004	230.800	EX 375S=228.61±	5534831.5	635764.3
MH10	SD-010	AP-006	230.200	375W&N=228.519	5534820.2	635798.9
MH11	SD-010	AP-004	231.100	EX 375S=228.260 EX 300E=28.370 EX 450N=27.700 EX W=27.680 375S=28.373	5534820.2	635798.9
MH12	SD-010	AP-004	EX RIM=230.730	EX 300S=226.08 300S=223.070	5534876.7	635813.9
MH13	SD-010	AP-004	230.793	300W&N=226.730	5534881.7	635797.6

CATCHBASIN DATA				
CB#	RIM ELEV.	INVERT	NORTHING	EASTING
CB1	230.400	250E=228.770 BTM ELEV=228.000	5534835.9	635752.8



- NOTES:**
- UNDERGROUND VENT PIPING TO BE INSTALLED WITH MINIMUM 1 METRE COVER BELOW FINISHED GRADE AND WITH POSITIVE DRAINAGE TO MANHOLES.
 - EXISTING WATERMAIN TO BE LOCATED BY HAND EXCAVATION DURING INSTALLATION OF 300 WWS.



W. side Main St. on the grounds of the North end Treatment Plant, Tblt. on top of Conc. pit in front of the Main Bldg., 22.3m E. of line of most Ely. wall & 32.8m S. of most Nly. wall of Main Bldg. (Ties to Tblt.).

METRIC
WHOLE NUMBERS INDICATE MILLIMETRES
DECIMALIZED NUMBERS INDICATE METRES

APEGM
Certificate of Authorization
Stantec Consulting Ltd.
No. 1301 Date:

EXISTING	LEGEND-PLAN	PROPOSED	EXISTING	LEGEND-PLAN	PROPOSED
150 WM	WATERMAIN	150 WM	M.T.S.		
Hydrant	HYDRANT	Concrete	CONCRETE		
Valve	VALVE	Asphalt	ASPHALT		
300 LDS	LAND DRAINAGE SEWER	Sidewalk	SIDEWALK		
250 WWS	WASTE WATER SEWER	Property Line	PROPERTY LINE		
Vent Piping	VENT PIPING	Survey Bar	SURVEY BAR		
Manhole	MANHOLE	Ditch	DITCH		
Catch Basin	CATCH BASIN	Elevation	ELEVATION	31.334	32.23
Gas	GAS				
Hydro	HYDRO				

LOCATION APPROVED UNDERGROUND STRUCTURES

SUPV. U/G STRUCTURES DATE COMMITTEE

NOTE:
LOCATION OF UNDERGROUND STRUCTURES AS SHOWN ARE BASED ON THE BEST INFORMATION AVAILABLE BUT NO GUARANTEE IS GIVEN THAT ALL EXISTING UTILITIES ARE SHOWN OR THAT THE GIVEN LOCATIONS ARE EXACT. CONFIRMATION OF EXISTENCE AND EXACT LOCATION OF ALL SERVICES MUST BE OBTAINED FROM THE INDIVIDUAL UTILITIES BEFORE PROCEEDING WITH CONSTRUCTION.

B.M. 13-027
ELEV. 231.261

Stantec Consulting Ltd.
905 Waverley Street, Winnipeg, Manitoba
Tel 204-489-5900 Fax 204-453-9012

DESIGNED BY: B.J.R. CHECKED BY: H.A.K.
DRAWN BY: W.R.A. APPROVED BY: B.J.R.

HOR. SCALE: 1:250
VERTICAL: AS SHOWN

RELEASER FOR CONSTRUCTION: B.J.R.

NO. REVISIONS DATE BY DATE 09.10.30

ENGINEER'S SEAL

ORIGINAL SEALED BY: B.J. RAMSON
P. ENG.
10.02.16

BID OPPORTUNITY NO. 822-2009

CITY DRAWING NUMBER 1-0101A-C0002-001

SHEET 1 OF 1

THE CITY OF WINNIPEG
WATER AND WASTE DEPARTMENT

Winnipeg

NORTH END WATER POLLUTION CONTROL CENTRE
HAULED LIQUID WASTE RECEIVING FACILITIES

UNDERGROUND SERVICES

V:\1170\cadd\11701183\11701183.dwg (User: jrb) 10/2/16 10:23:11 AM