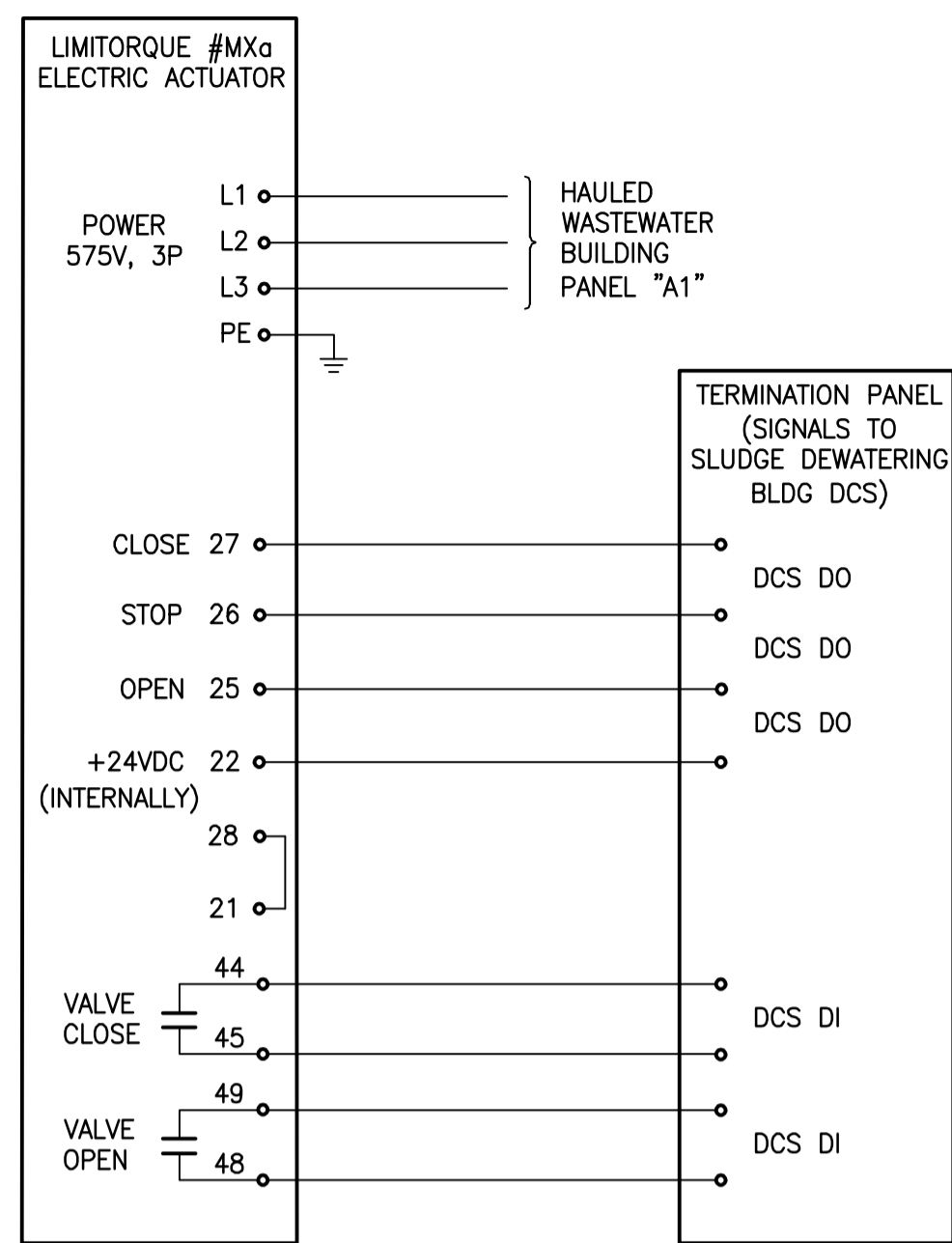
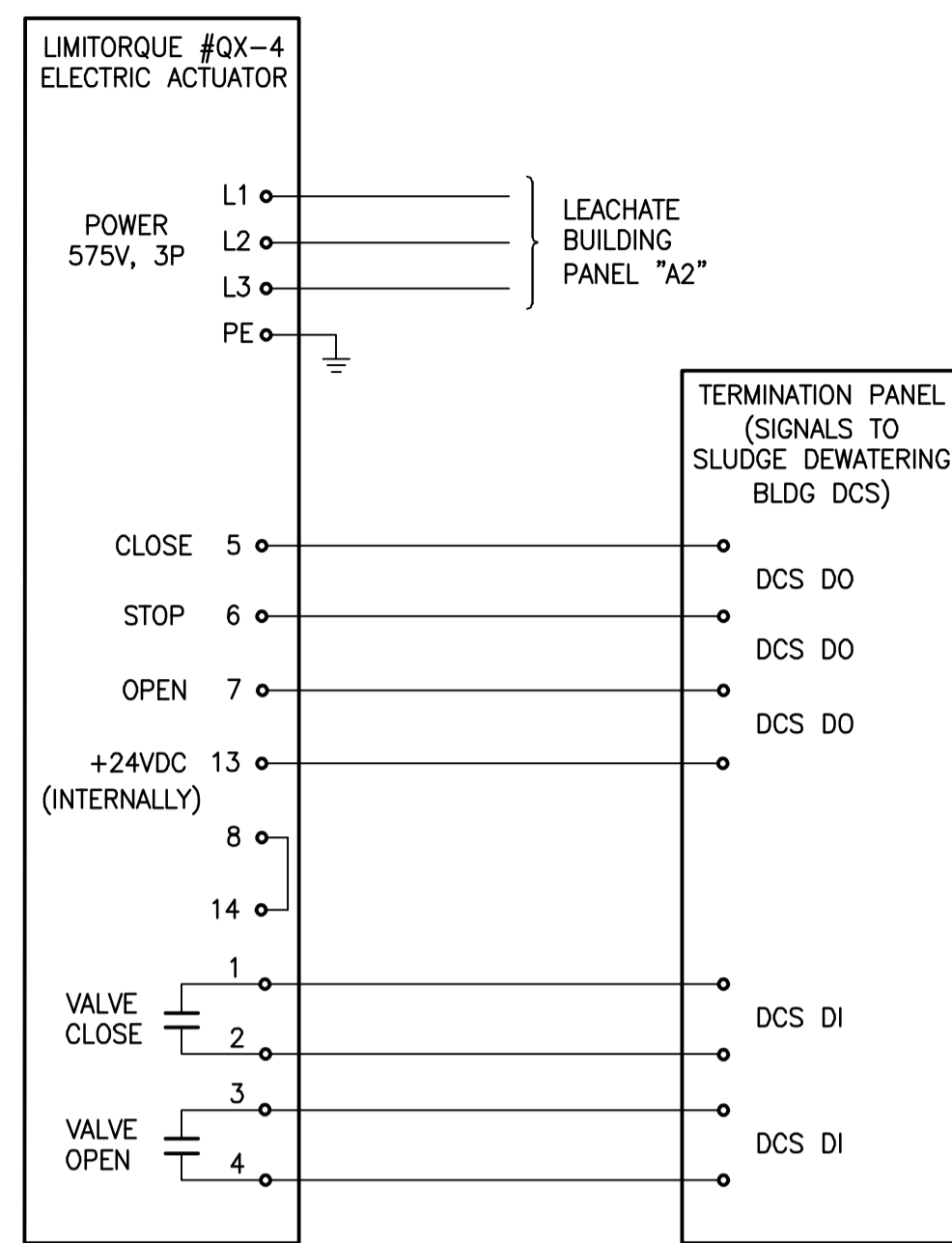


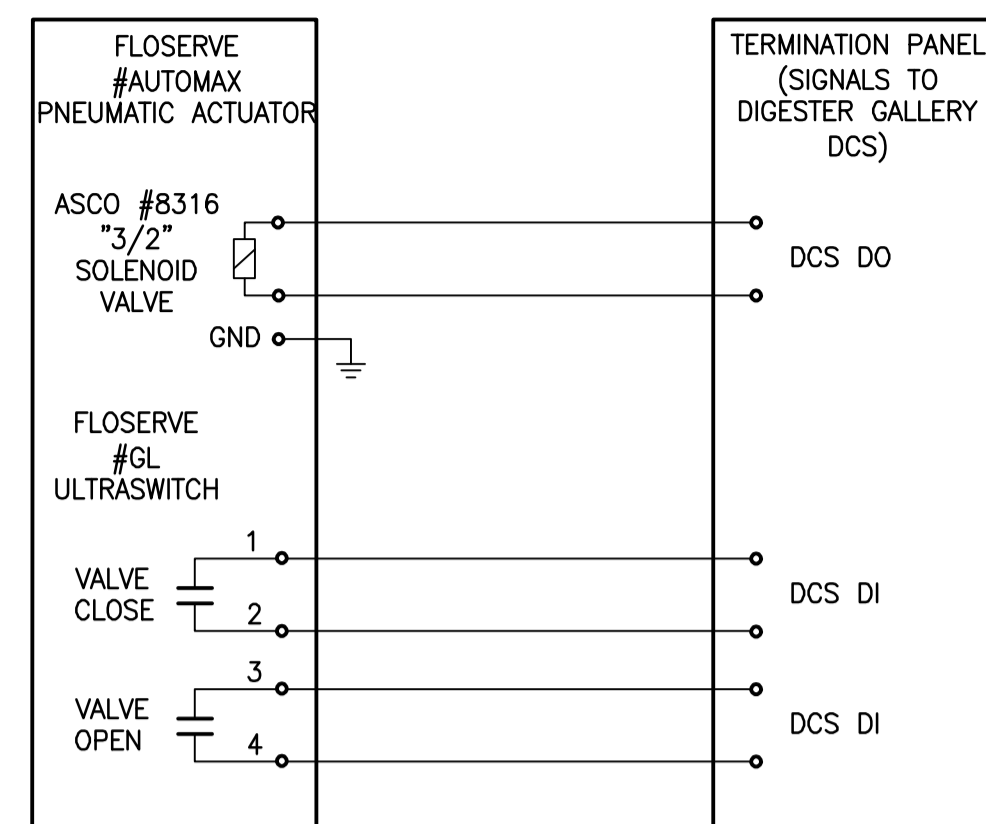
LEACHATE PUMP VFD WIRING DIAGRAM
(TYPICAL FOR LP-3; LP-4; LP-5)



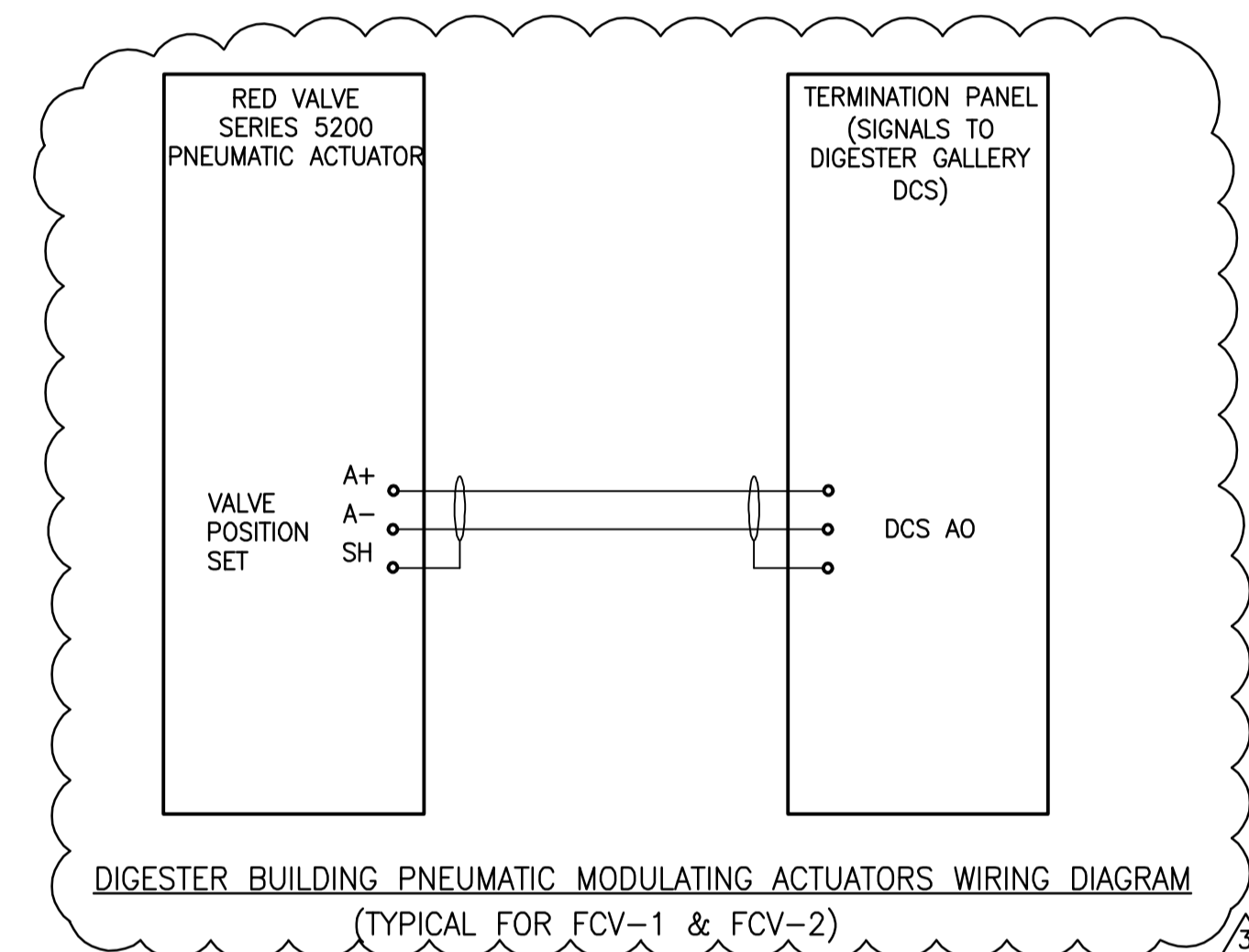
HAULED WASTEWATER BUILDING ELECTRIC ACTUATORS WIRING DIAGRAM
(TYPICAL FOR SBV-1; SBV-2)



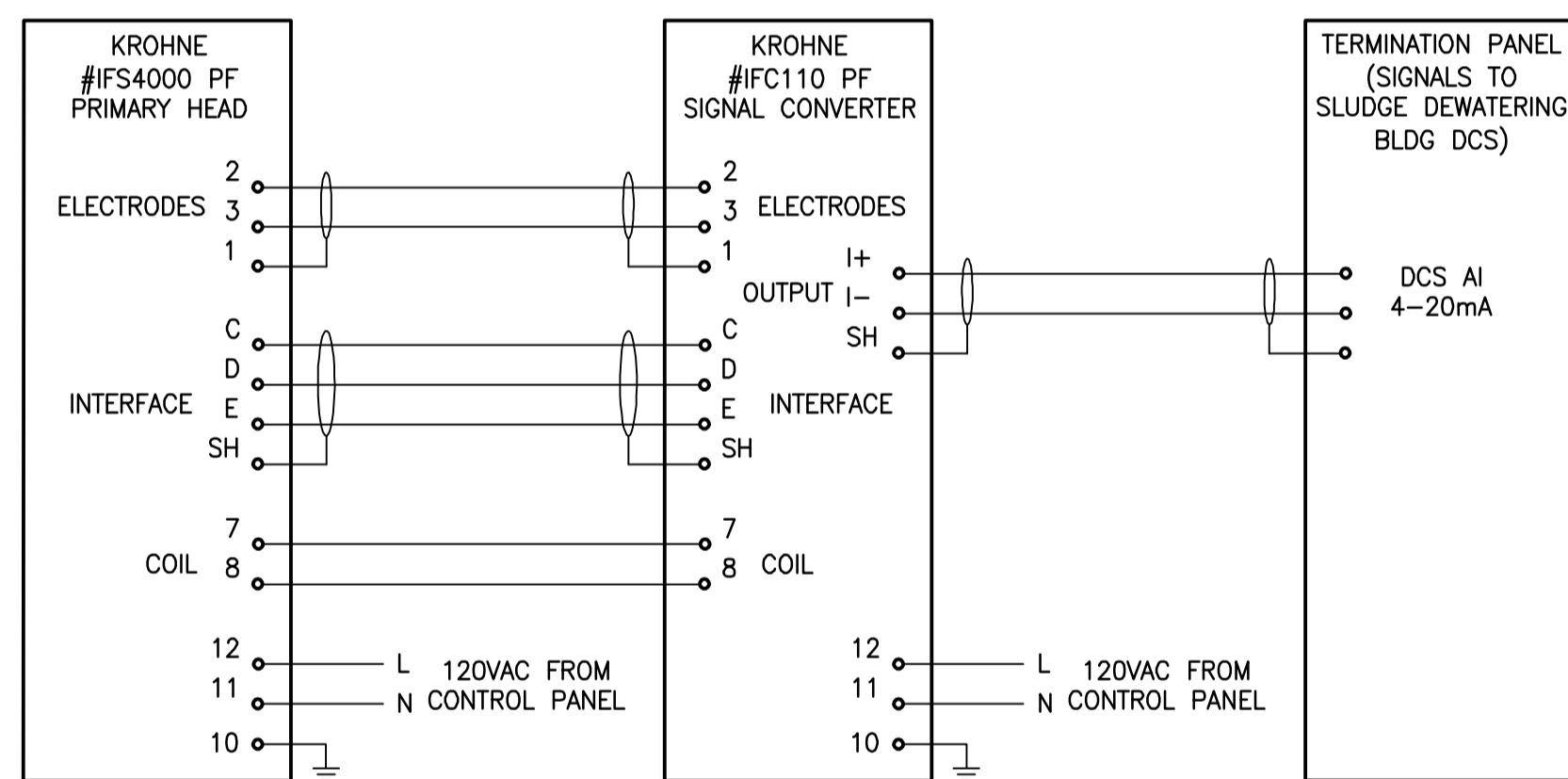
LEACHATE BUILDING ELECTRIC ACTUATORS WIRING DIAGRAM
(TYPICAL FOR LBV-1; LBV-2; LBV-3; LBV-4; LBV-5; LBV-6; LBV-7)



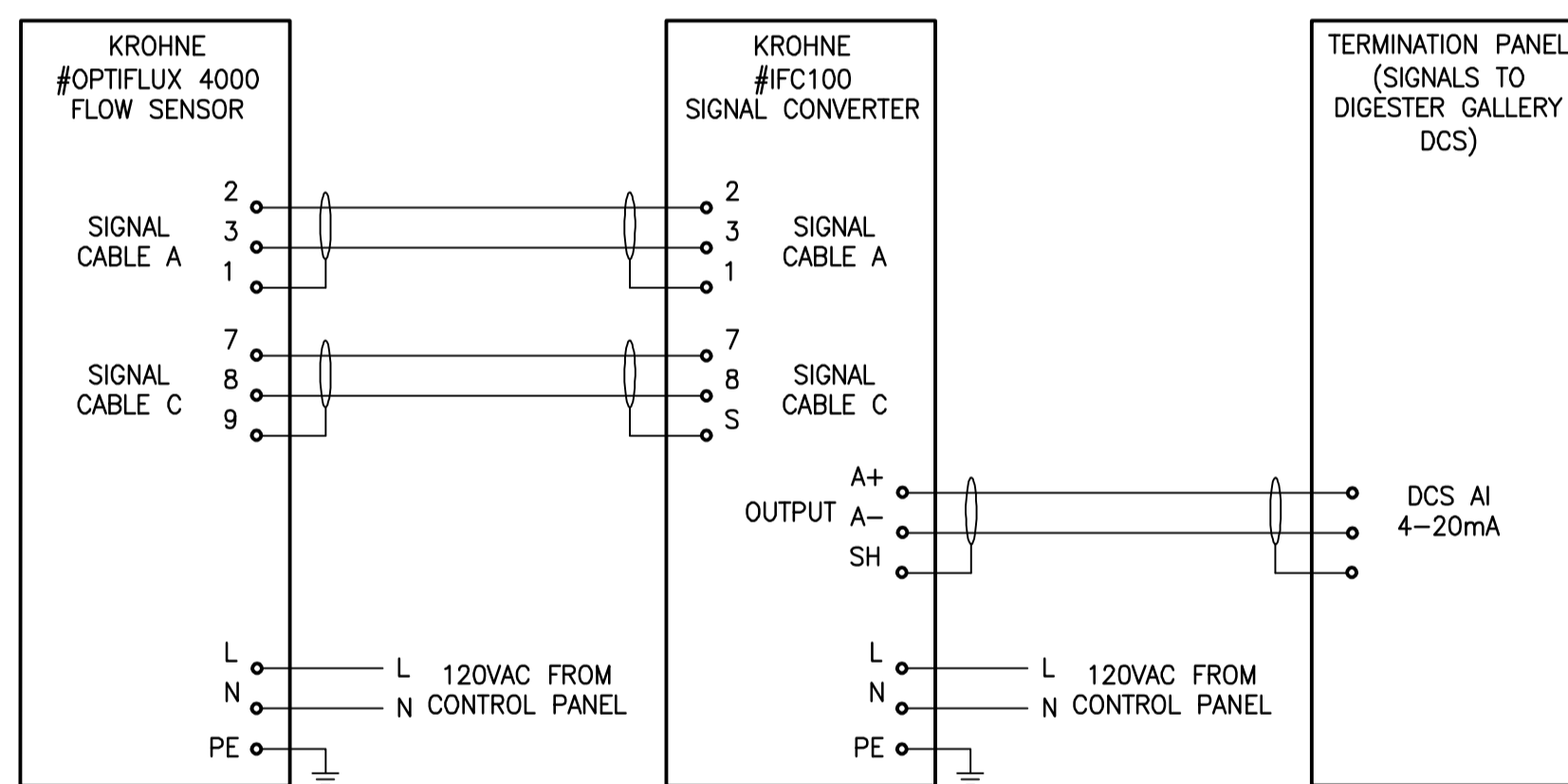
DIGESTER BUILDING PNEUMATIC ACTUATORS WIRING DIAGRAM
(TYPICAL FOR LBV-8; LBV-9; LBV-10; LBV-11; LBV-12; LBV-13; LBV-14)



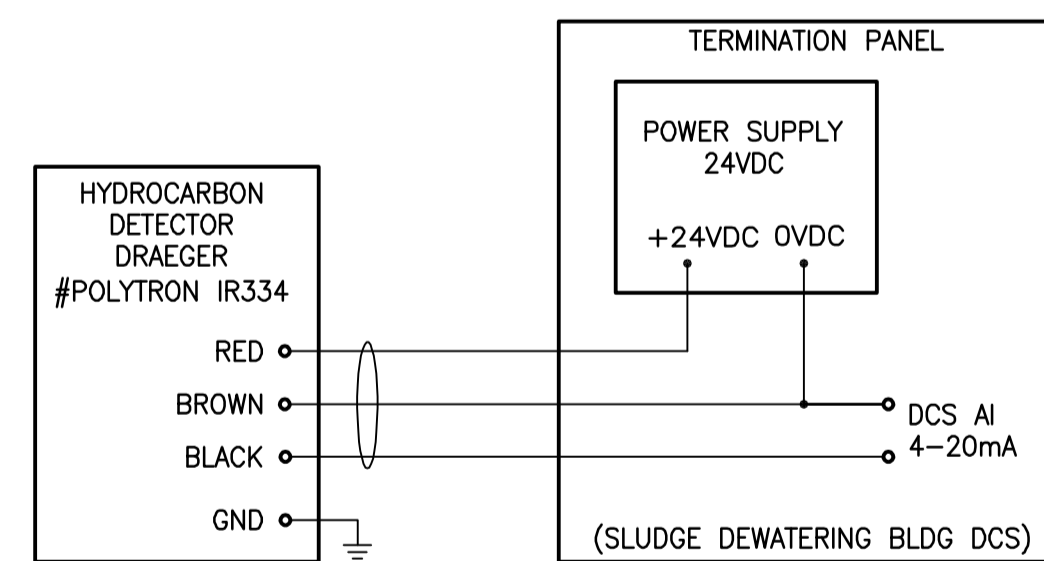
DIGESTER BUILDING PNEUMATIC MODULATING ACTUATORS WIRING DIAGRAM
(TYPICAL FOR FCV-1 & FCV-2)



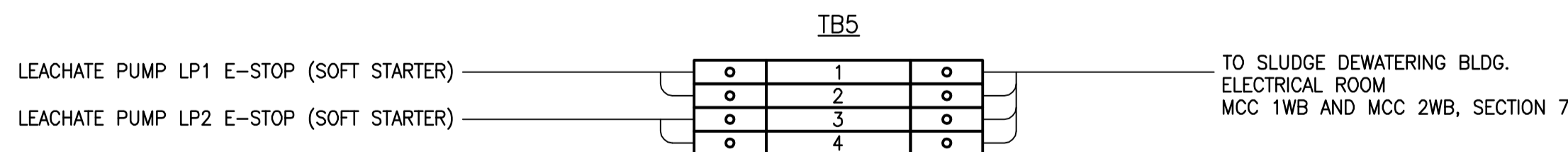
FLOW METERS FOR PARTIALLY FILLED PIPES WIRING DIAGRAM
(TYPICAL FOR FIT-1; FIT-2; FIT-3; FIT-4)



FLOW METERS WIRING DIAGRAM
(TYPICAL FIT-5; FIT-6)



HYDROCARBON DETECTOR WIRING DIAGRAM
(TYPICAL FOR AIT-1; AIT-2; AIT-3; AIT-4)



LEACHATE RECEIVING BUILDING TERMINATION PANEL TB5 STRIP (E-STOPS TO SOFT STARTERS)



V:\1170\weld\11701830\dwg\11701830.dwg (working sheet) Date: 10/02/16 By: wmm

METRIC

WHOLE NUMBERS INDICATE MILLIMETRES
DECIMALIZED NUMBERS INDICATE METRES

LOCATION APPROVED
UNDERGROUND STRUCTURES

SUPV. U/G STRUCTURES COMMITTEE DATE

NOTE:
LOCATION OF UNDERGROUND STRUCTURES AS SHOWN ARE BASED ON THE BEST INFORMATION AVAILABLE BUT NO GUARANTEE IS GIVEN THAT ALL EXISTING UTILITIES ARE SHOWN OR THAT THE GIVEN LOCATIONS ARE EXACT. CONFIRMATION OF EXISTENCE AND EXACT LOCATION OF ALL SERVICES MUST BE OBTAINED FROM THE INDIVIDUAL UTILITIES BEFORE PROCEEDING WITH CONSTRUCTION.

B.M. ELEV.	NO.	REVISIONS	DATE	BY
	1	REVISED AS PER ADDENDUM #3		
	A	ISSUED FOR TENDER	10.02.16	S.T.

Stantec Consulting Ltd.
905 Waverley Street, Winnipeg, Manitoba
Tel 204-489-5900 Fax 204-453-9012

DESIGNED BY	S.T.	CHECKED BY	D.D.
DRAWN BY	S.T.	APPROVED BY	-
HOR. SCALE:	-	RELEASED FOR CONSTRUCTION:	
VERTICAL:		DATE	09.11.20

ENGINEER'S SEAL
ORIGINAL SEALED BY SLOBODAN TREBIC P. ENG. 10/02/16
TENDER NO. **822-2009**

THE CITY OF WINNIPEG
WATER AND WASTE DEPARTMENT
Winnipeg
NORTH END WATER POLLUTION CONTROL CENTRE
HAULED WASTEWATER RECEIVING FACILITIES
HAULED WASTEWATER AND LEACHATE RECEIVING BUILDING
MISCELLANEOUS WIRING DETAILS
CITY DRAWING NUMBER **I-OIOIA-A0005-001**
SHEET **1** OF **1**