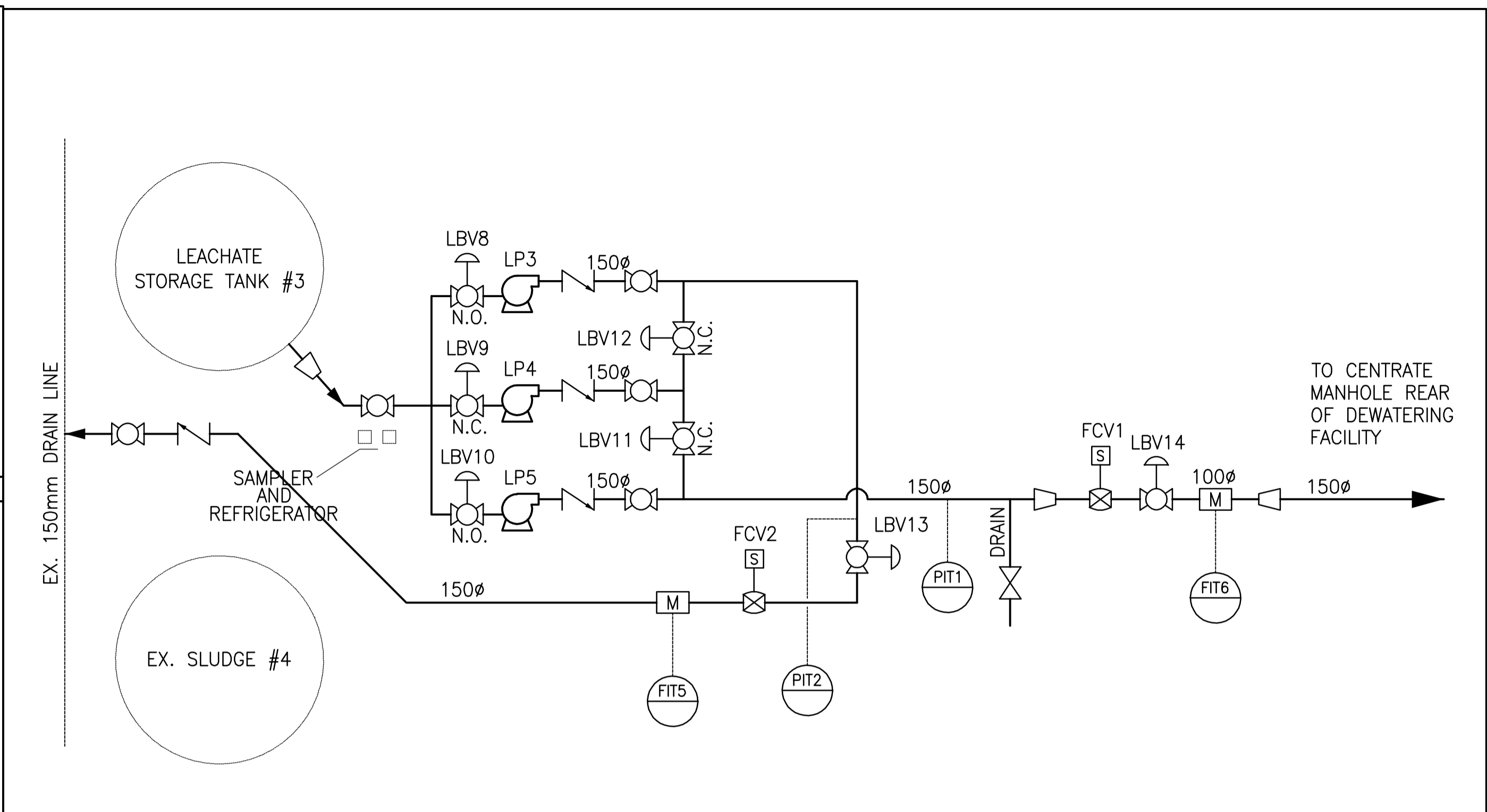


SITE PLAN
NTS



DETAIL #1

CABLE LIST

- No.12 3C TECK 90 (PUMPS POWER 575V, 3P)
- No.12, 2C TECK 90 (TERMINATION PANEL POWER 120V, 1P)
- No.12, 6C TECK 90 (E-STOPS TO VFDs)
- No.12, 2C TECK 90 (SAMPLER, POWER 120VAC, 1P)
- FIBER OPTIC CABLE
- REDUNDANT FIBER OPTIC CABLE

NOTES

- USE EXISTING CABLE TRAY 24"x3" TO BULKHEAD (APPROXIMATE DISTANCE 50M) AND INSTALL NEW CABLE TRAY 24"x3" FROM BULKHEAD TO WEST ELECTRICAL ROOM AND DIGESTER CONTROL ROOM. (APPROXIMATE DISTANCE 100M).
- PROVIDE TWO NEW 15A, 1P CIRCUIT BREAKERS IN EXISTING 120VAC POWER PANEL IN WEST ELECTRICAL ROOM TO FEED NEW TERMINATION PANEL AND NEW SAMPLER.

DETAIL #2

| | | | | | | | |
|--------|------|------|------|--------|------|------|------|
| MCC 3D | | | | MCC 4D | | | |
| SEC1 | SEC2 | SEC3 | SEC4 | SEC1 | SEC2 | SEC3 | SEC4 |

NOTES

- INSTALL NEW VFD FOR LEACHATE PUMP LP-3 IN LOWER PART OF SECTION 1 OF MCC 3D. REMOVE MOTOR STARTER FOR NOT USED FOAM PUMP DP-21.
- ADD NEW STRUCTURE ADJACENT TO SECTION 4 OF MCC 4D. STRUCTURE TO ACCOMMODATE TWO NEW VFDs FOR LEACHATE PUMPS LP-4 AND LP-5.

DETAIL #4

LEGEND

LP - LEACHATE PUMP
 DS - DISCONNECT SWITCH MOUNTED ON UNISTRUT
 ES - E-STOP MOUNTED ON UNISTRUT
 LBV - LEACHATE PNEUMATIC VALVE (ON-OFF)
 FCV - FLOW CONTROL VALVE (MODULATING)
 FIT - MAGNETIC FLOW METER
 LIT - LEVEL TRANSMITTER
 LSH - HIGH LEVEL SWITCH
 LSL - LOW LEVEL SWITCH
 PIT - PRESSURE TRANSMITTER

NOTES

- DISCONNECT AND RECONNECT POWER AND CONTROLS FOR SLUDGE PUMPS IN GALLERY #5.
- RELOCATE LIGHTING FIXTURE ON SOUTH SIDE OF GALLERY #2.
- INSTALL NEW FAN IN SLUDGE DEWATERING FACILITY IN TRUCK BAY. FAN TO BE SUSPENDED FROM MEZZANINE LEVEL.

DETAIL #3

METRIC
 WHOLE NUMBERS INDICATE MILLIMETRES
 DECIMALIZED NUMBERS INDICATE METRES

APEGM
 Certificate of Authorization
 Stantec Consulting Ltd.
 No. 1301 Date:

LOCATION APPROVED UNDERGROUND STRUCTURES

| | |
|--------------------------------|------|
| SUPV. U/G STRUCTURES COMMITTEE | DATE |
| | |

NOTE:
 LOCATION OF UNDERGROUND STRUCTURES AS SHOWN ARE BASED ON THE BEST INFORMATION AVAILABLE BUT NO GUARANTEE IS GIVEN THAT ALL EXISTING UTILITIES ARE SHOWN OR THAT THE GIVEN LOCATIONS ARE EXACT. CONFIRMATION OF EXISTENCE AND EXACT LOCATION OF ALL SERVICES MUST BE OBTAINED FROM THE INDIVIDUAL UTILITIES BEFORE PROCEEDING WITH CONSTRUCTION.

| | |
|---------------|---------------------------------|
| B.M. ELEV. | |
| NO. REVISIONS | DATE BY |
| 1 | REVISED AS PER ADDENDUM #3 |
| A | ISSUED FOR TENDER 10.02.16 S.T. |

Stantec Consulting Ltd.
 905 Waverley Street, Winnipeg, Manitoba
 Tel 204-489-5900 Fax 204-453-9012

| | | | |
|-------------|------|-------------|------|
| DESIGNED BY | W.A. | CHECKED BY | A.B. |
| DRAWN BY | W.A. | APPROVED BY | A.B. |

HOR. SCALE: AS NOTED
 VERTICAL: DATE 09.11.20

ENGINEER'S SEAL
 ORIGINAL SEALED BY SLOBODAN TREBIC
 P. ENG. 10/02/16

TENDER NO. 822-2009

THE CITY OF WINNIPEG
 WATER AND WASTE DEPARTMENT

Winnipeg

NORTH END WATER POLLUTION CONTROL CENTRE
 HAULED LIQUID WASTE RECEIVING FACILITIES
 DIGESTER GALLERY
 SITE PLAN, MISCELLANEOUS WIRING DETAILS

CITY DRAWING NUMBER I-0101A-A0006-001

SHEET 1 OF 1

V:\1172\winnipeg\11721830\drawing\01_wiring\sheet_01a_misc_wiring.dwg
 2009-11-20 02:17PM By: wmmaster