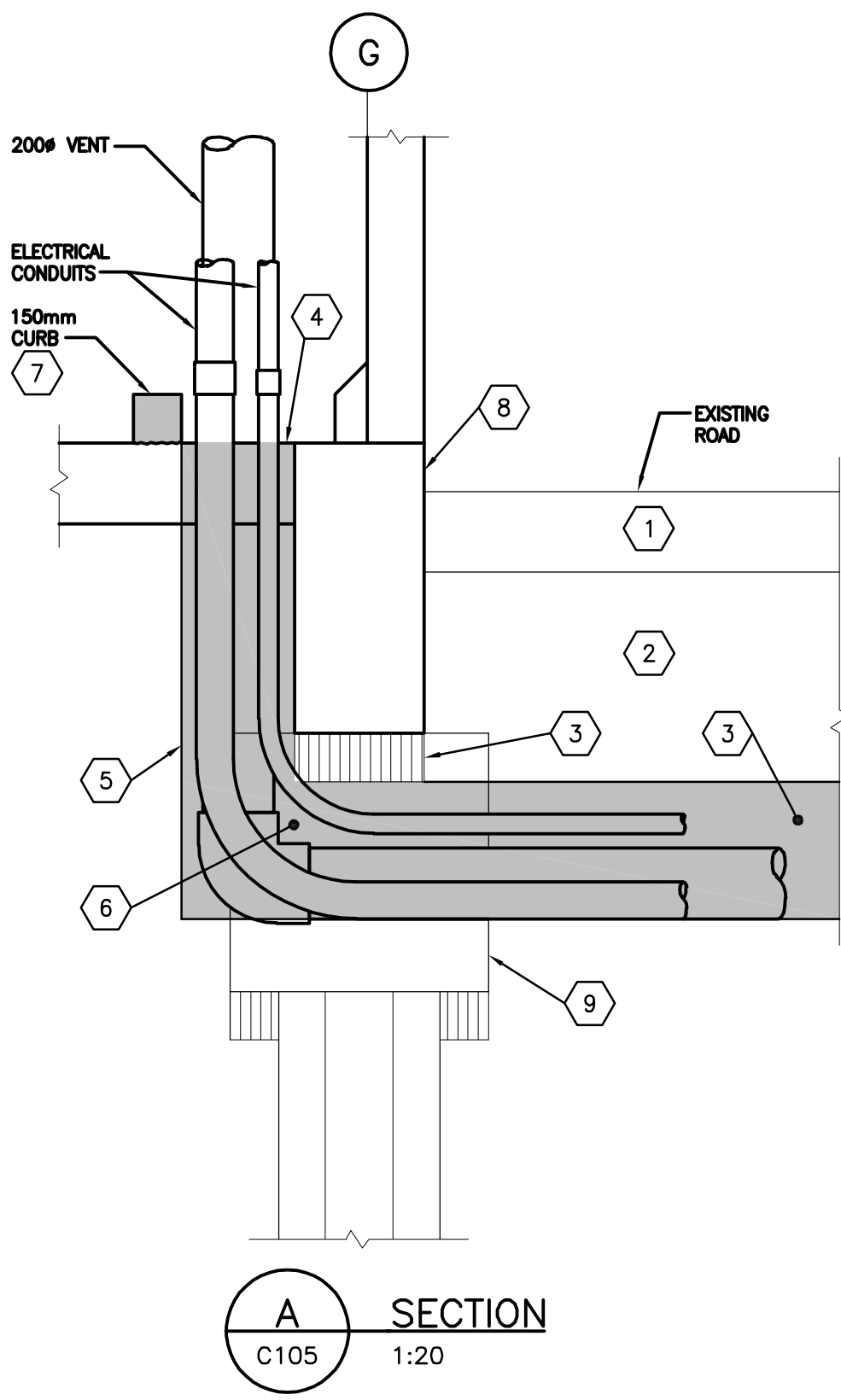


1 PLAN
C105 1:50



A SECTION
C105 1:20

NOTES:

1. VERIFY THAT CITY HAS FLUSHED GLYCOL FROM EXISTING IN SLAB HEATING SYSTEM.
2. PROVIDE SHORING TO PREVENT UNDERMINING OF ROADWAY.
3. REPLACE 150mm CARDBOARD VOID FORM UNDER GRADE BEAM.
4. SAWCUT AND REMOVE CONCRETE INSIDE BUILDING.
5. DRIVE 6mm THICK STEEL PLATES ON THREE SIDES OF DUCT CHASE TO PREVENT UNDERMINING OF TRUCK BAY. LEAVE STEEL PLATES IN PLACE.
6. EXCAVATE SOIL INSIDE PIPE CHASE. BACKFILL WITH GRANULAR OR CRUSHED LIMESTONE AS PER CW3110 TABLE CW3110.2. TAMP TO COMPACT.
7. PROVIDE 150x150mm HIGH CONCRETE CURB AROUND PIPE CHASE AREA. ROUGHEN CONTACT AREA UNDER CURB AND APPLY CONCRETE ADHESIVE PRIOR TO POURING CONCRETE. INSTALL 12mm DOWELS @ 400 O.C.. DRILL HOLE IN EXISTING FLOOR AND EPOXY GROUT DOWELS INTO FLOOR. PROVIDE 100mm EMBEDMENT LENGTH. PROVIDE 1-12mm CURB PERIMETER REINFORCING STEEL. CONCRETE IN ACCORDANCE WITH CW3310.
8. EXISTING GRADE BEAM
9. EXISTING PILE CAP
10. FOR CONTINUATION, REFER TO DRAWINGS: 1-0101A-M0001-001 & 1-0101A-E0005-001

W:\111\winnipeg\11930c-105\dwg\11930c-105-newpcc.dwg
 2010-03-25 10:04am By: [unclear]

LOCATION APPROVED UNDERGROUND STRUCTURES SUPV. U/G STRUCTURES COMMITTEE _____ DATE _____ NOTE: LOCATION OF UNDERGROUND STRUCTURES AS SHOWN ARE BASED ON THE BEST INFORMATION AVAILABLE BUT NO GUARANTEE IS GIVEN THAT ALL EXISTING UTILITIES ARE SHOWN OR THAT THE GIVEN LOCATIONS ARE EXACT. CONFIRMATION OF EXISTENCE AND EXACT LOCATION OF ALL SERVICES MUST BE OBTAINED FROM THE INDIVIDUAL UTILITIES BEFORE PROCEEDING WITH CONSTRUCTION.	B.M. 64-014 ELEV. 232.479m <table border="1" style="width: 100%; border-collapse: collapse;"> <thead> <tr> <th>NO.</th> <th>REVISIONS</th> <th>DATE</th> <th>BY</th> </tr> </thead> <tbody> <tr><td> </td><td> </td><td> </td><td> </td></tr> <tr><td> </td><td> </td><td> </td><td> </td></tr> <tr><td> </td><td> </td><td> </td><td> </td></tr> </tbody> </table>	NO.	REVISIONS	DATE	BY													 Stantec Consulting Ltd. 905 Waverley Street, Winnipeg, Manitoba Tel 204-489-5900 Fax 204-453-9012	ENGINEER'S SEAL CONSULTANT DRAWING NO. <p style="text-align: center;">C-105</p>	 THE CITY OF WINNIPEG WATER AND WASTE DEPARTMENT NORTH END WATER POLLUTION CONTROL CENTRE HAULED WASTEWATER RECEIVING FACILITIES ELECTRICAL AND VENTILATION DUCT CHASE	SHEET _____ OF _____ CAD FILE DRAWING NUMBER 11930c-105-NEWPCC.DWG CITY DRAWING NUMBER 1-0101A-E0008-001
NO.	REVISIONS	DATE	BY																		
		<table border="1" style="width: 100%; border-collapse: collapse;"> <tr> <td>DESIGNED BY</td> <td>A.H.B.</td> <td>CHECKED BY</td> <td>A.H.B.</td> </tr> <tr> <td>DRAWN BY</td> <td>K.R.</td> <td>APPROVED BY</td> <td>A.H.B.</td> </tr> <tr> <td>HOR. SCALE:</td> <td>AS NOTED</td> <td>RELEASED FOR CONSTRUCTION:</td> <td>_____</td> </tr> <tr> <td>VERTICAL:</td> <td>N/A</td> <td>DATE</td> <td>_____</td> </tr> </table>	DESIGNED BY	A.H.B.	CHECKED BY	A.H.B.	DRAWN BY	K.R.	APPROVED BY	A.H.B.	HOR. SCALE:	AS NOTED	RELEASED FOR CONSTRUCTION:	_____	VERTICAL:	N/A	DATE	_____			
DESIGNED BY	A.H.B.	CHECKED BY	A.H.B.																		
DRAWN BY	K.R.	APPROVED BY	A.H.B.																		
HOR. SCALE:	AS NOTED	RELEASED FOR CONSTRUCTION:	_____																		
VERTICAL:	N/A	DATE	_____																		
		<table border="1" style="width: 100%; border-collapse: collapse;"> <tr> <td>DATE</td> <td>MARCH, 2010</td> </tr> </table>	DATE	MARCH, 2010																	
DATE	MARCH, 2010																				