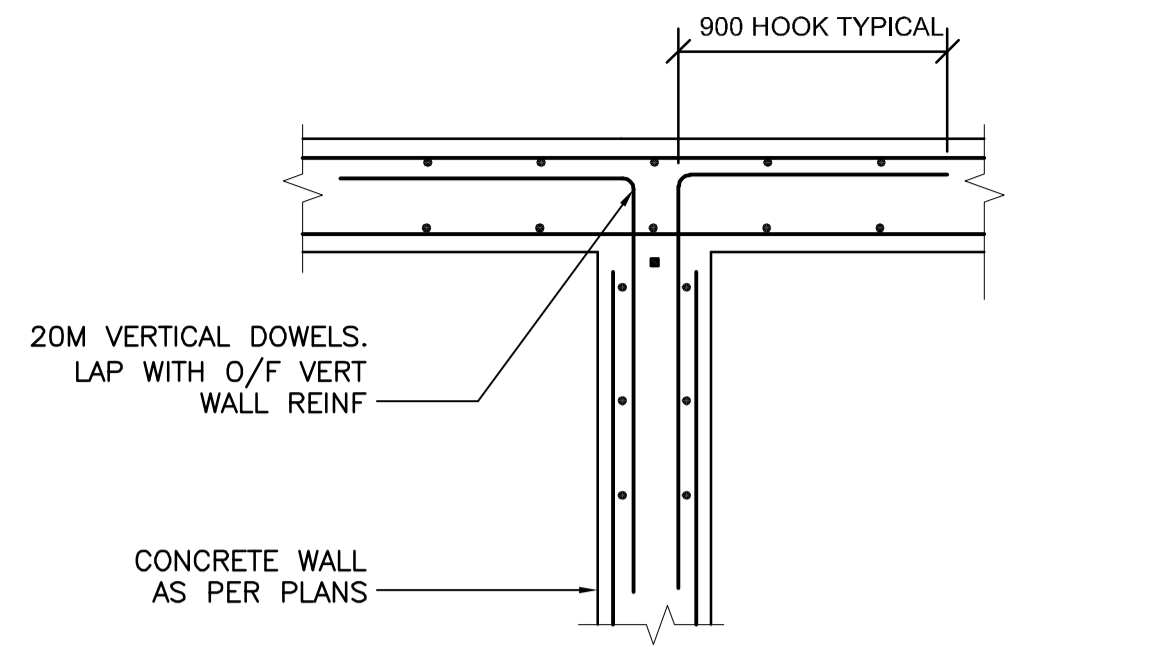
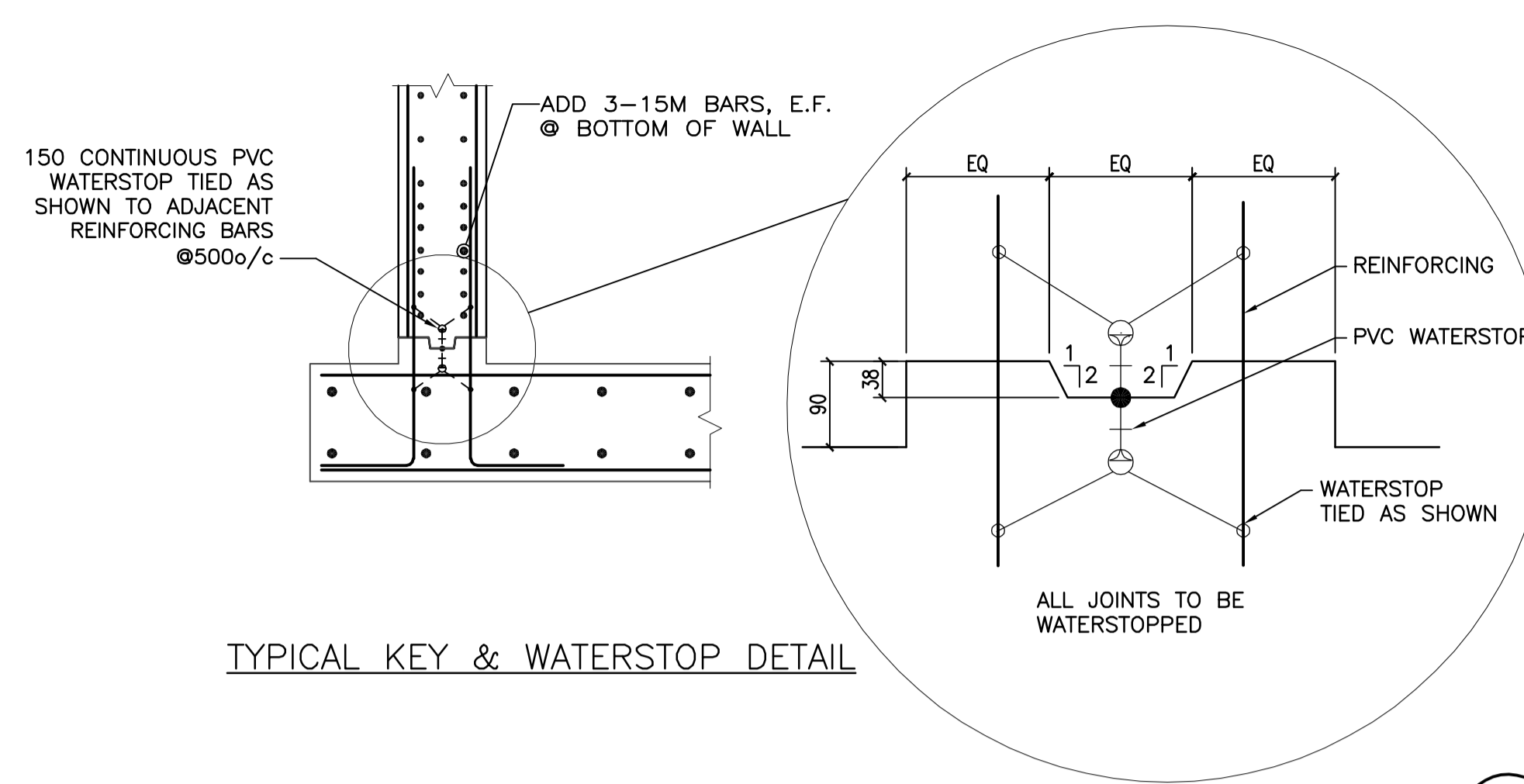


NOTE:  
PROVIDE CORNER BARS WITH SAME SIZE AND SPACING OF WALL HORIZONTAL BARS, TYPICAL AT ALL WALL CORNERS, U/N

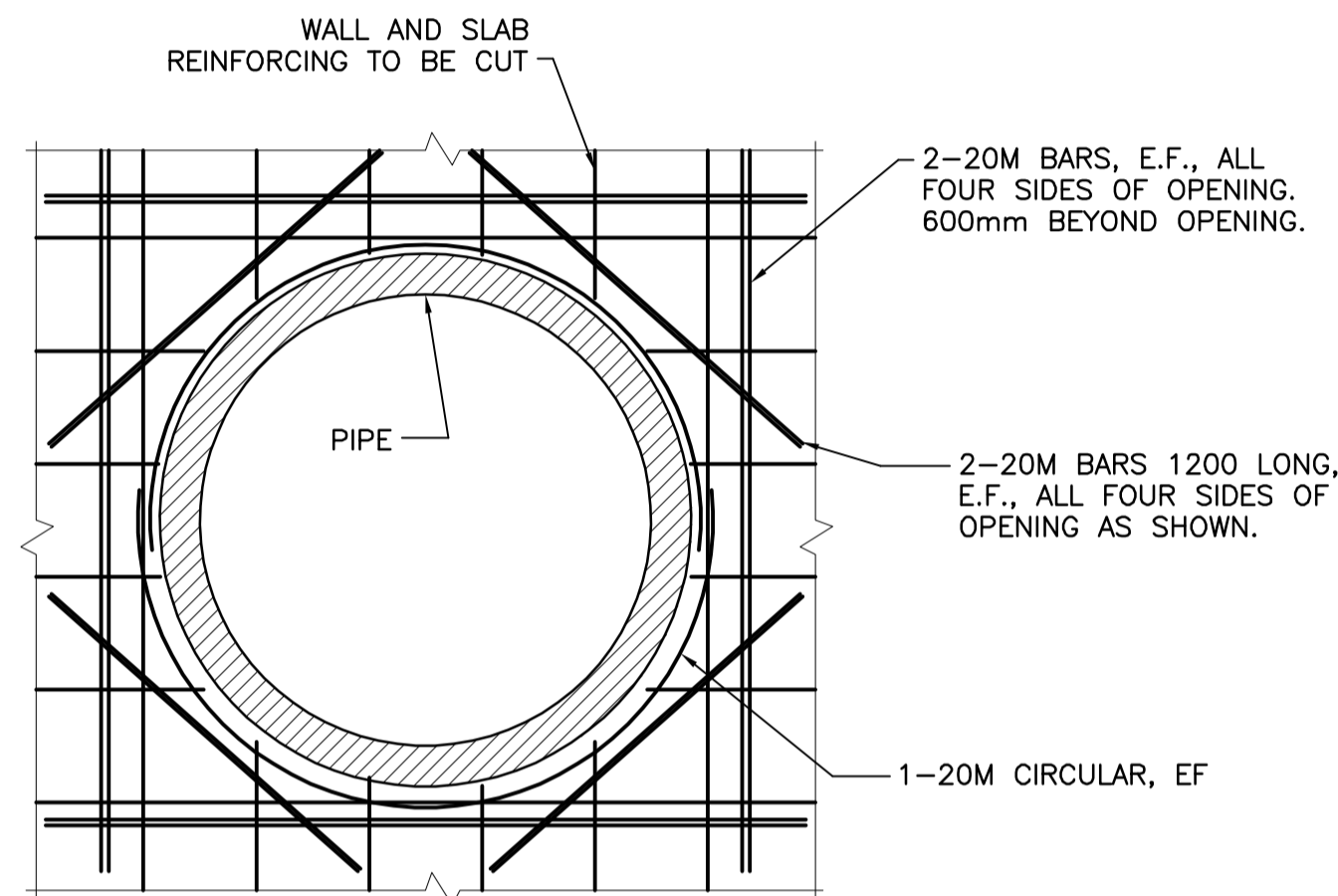
TYPICAL CORNER BAR PLAN DETAIL



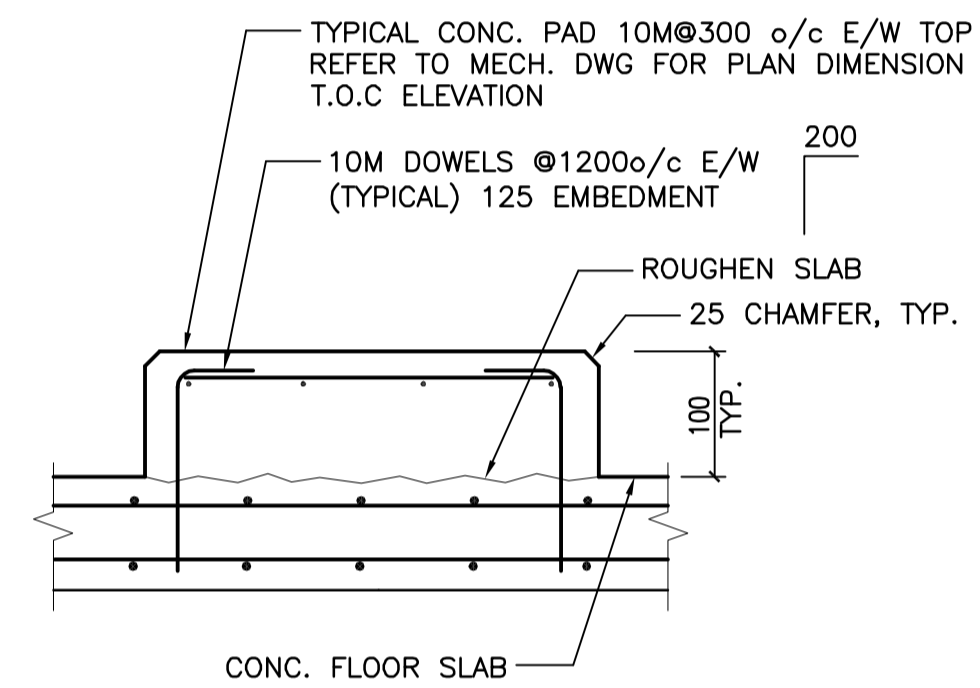
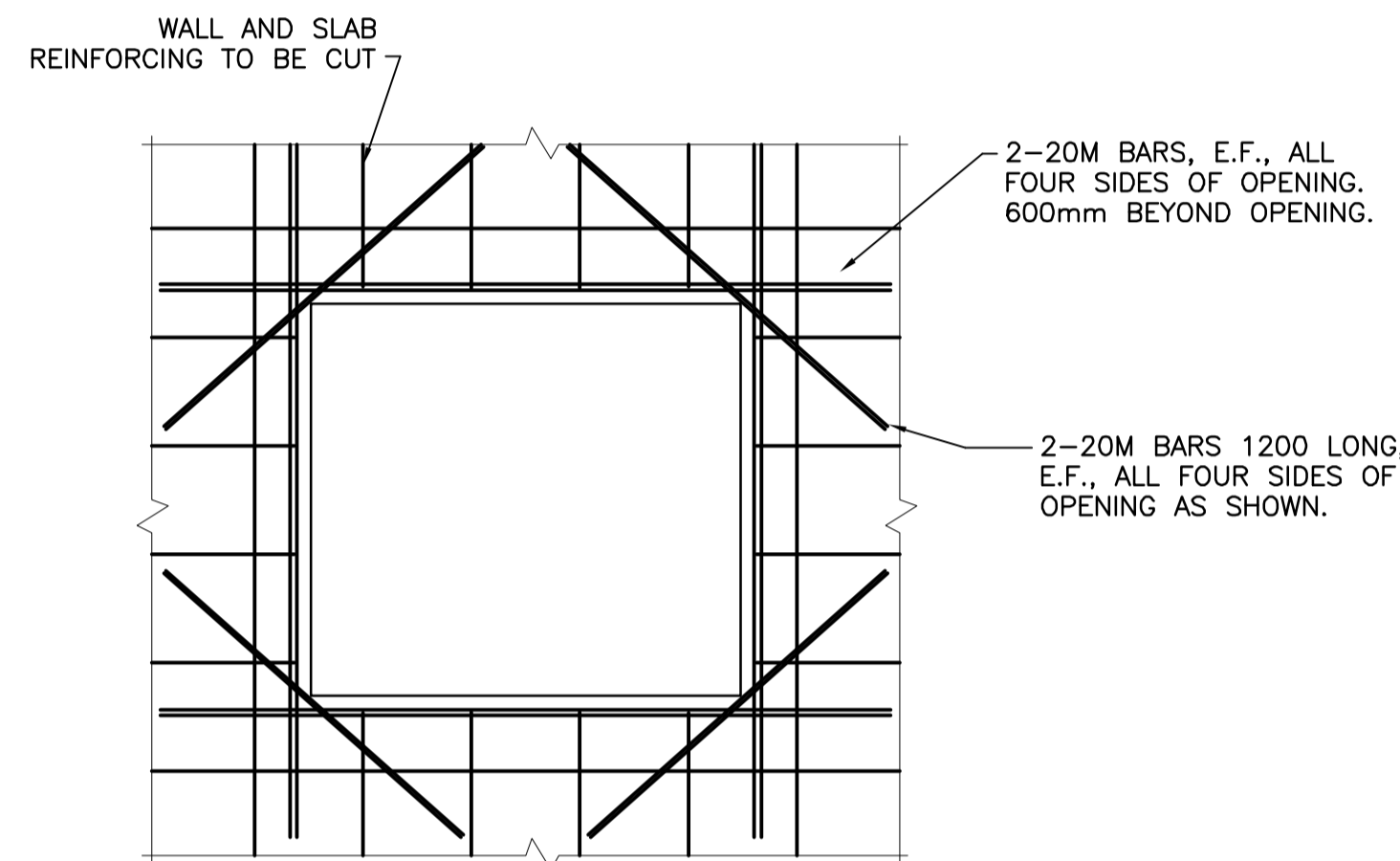
TYPICAL WALL / SLAB CONNECTION DETAIL



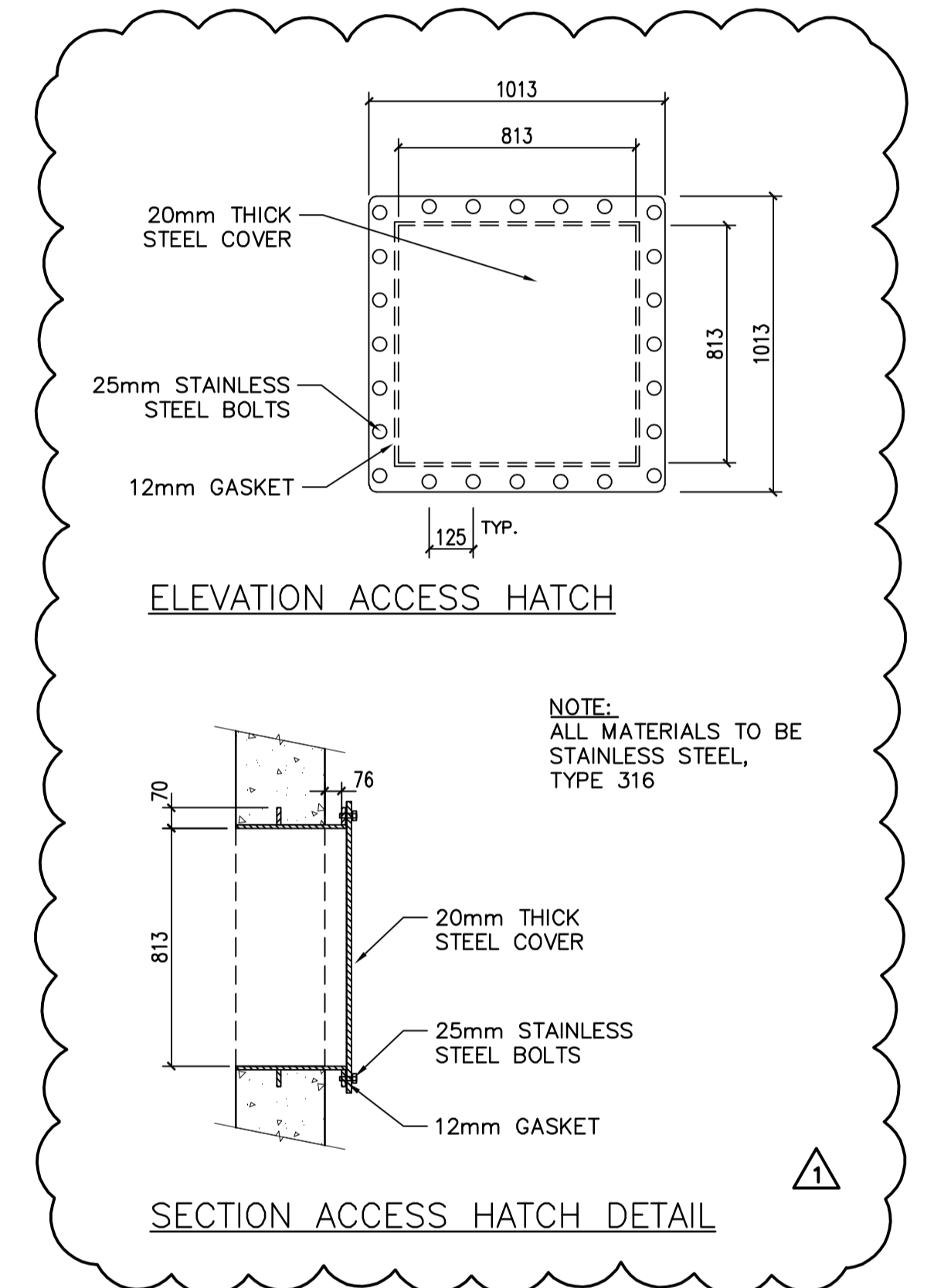
TYPICAL KEY & WATERSTOP DETAIL



TYPICAL REINFORCING FOR OPEING ON SLAB AND WALL  
(FOR OPENING SIZE 300 TO 1200)



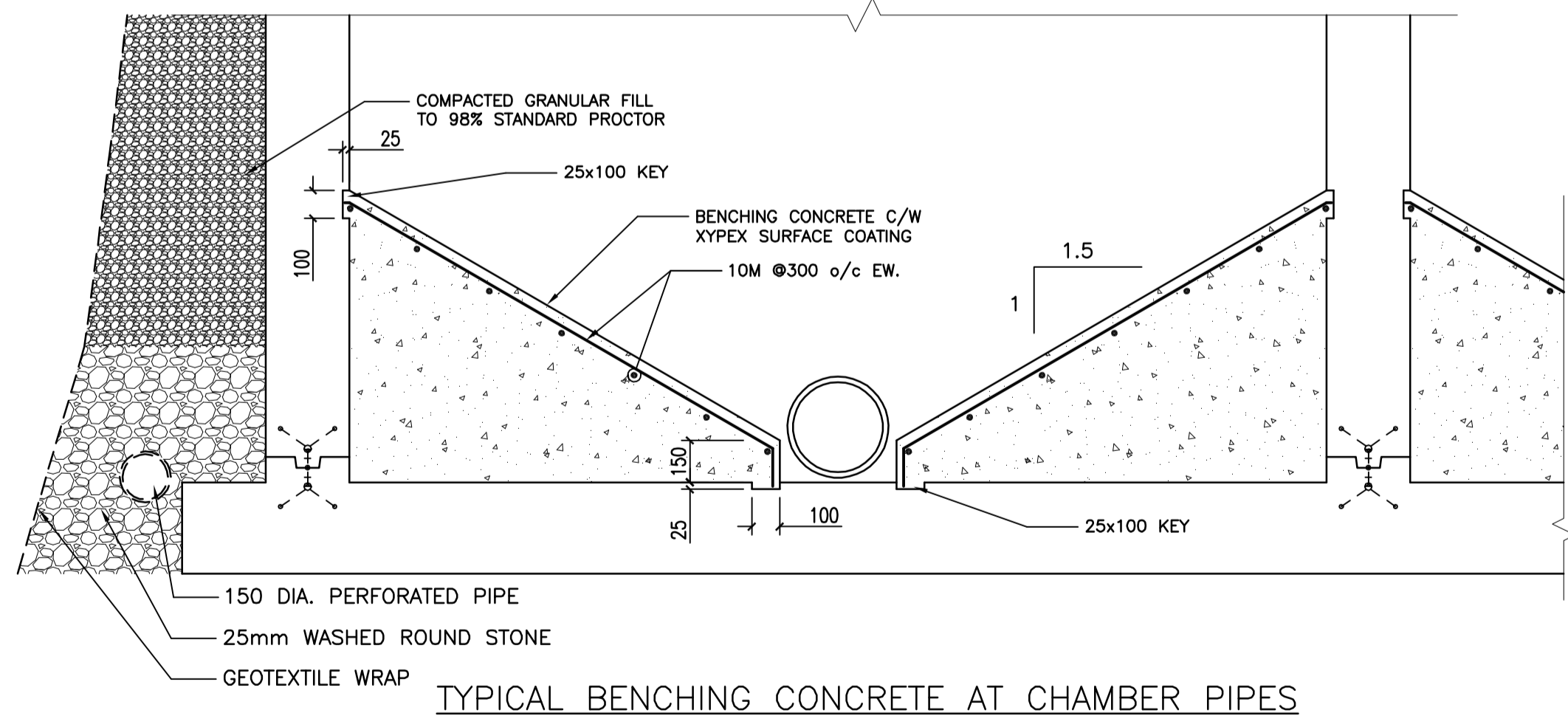
TYPICAL CONC. PAD DETAIL



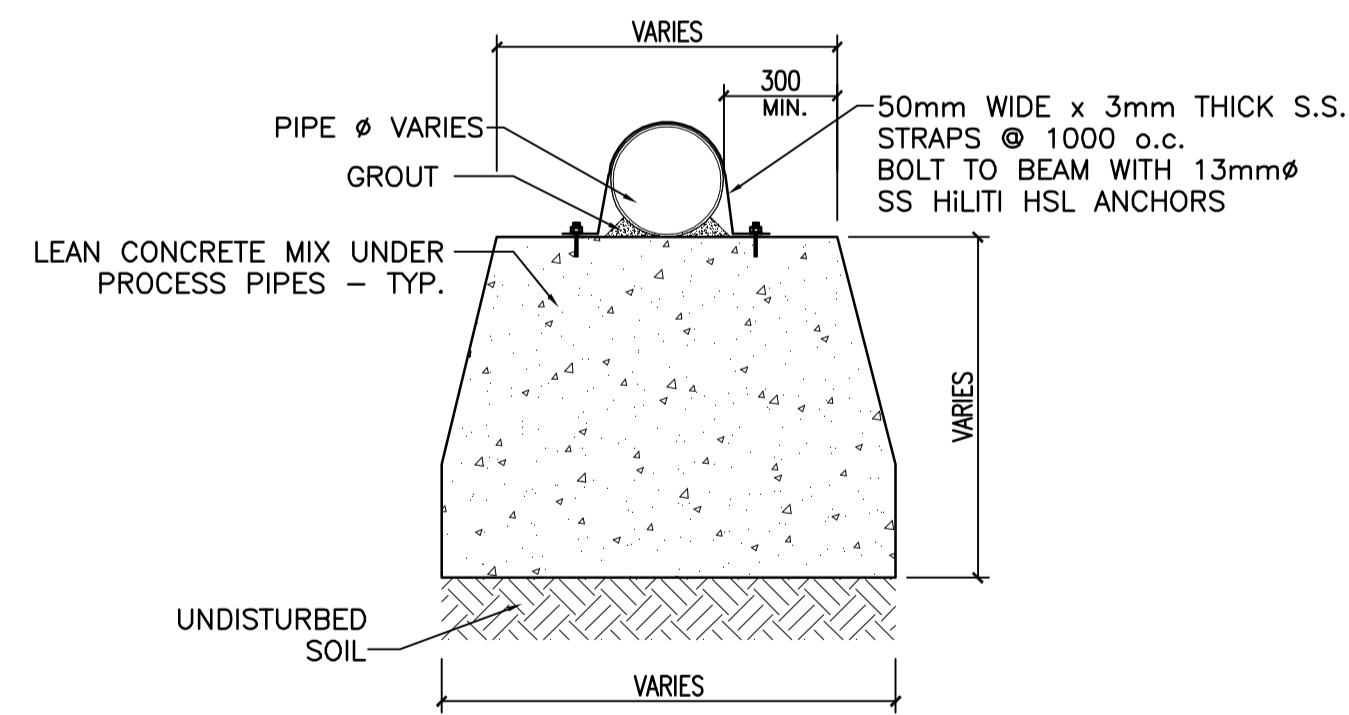
ELEVATION ACCESS HATCH

SECTION ACCESS HATCH DETAIL

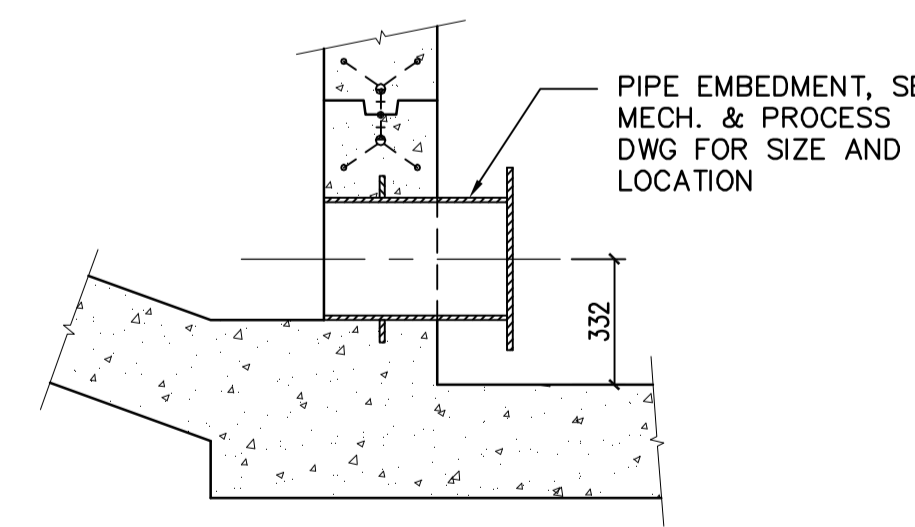
NOTE:  
ALL MATERIALS TO BE STAINLESS STEEL, TYPE 316



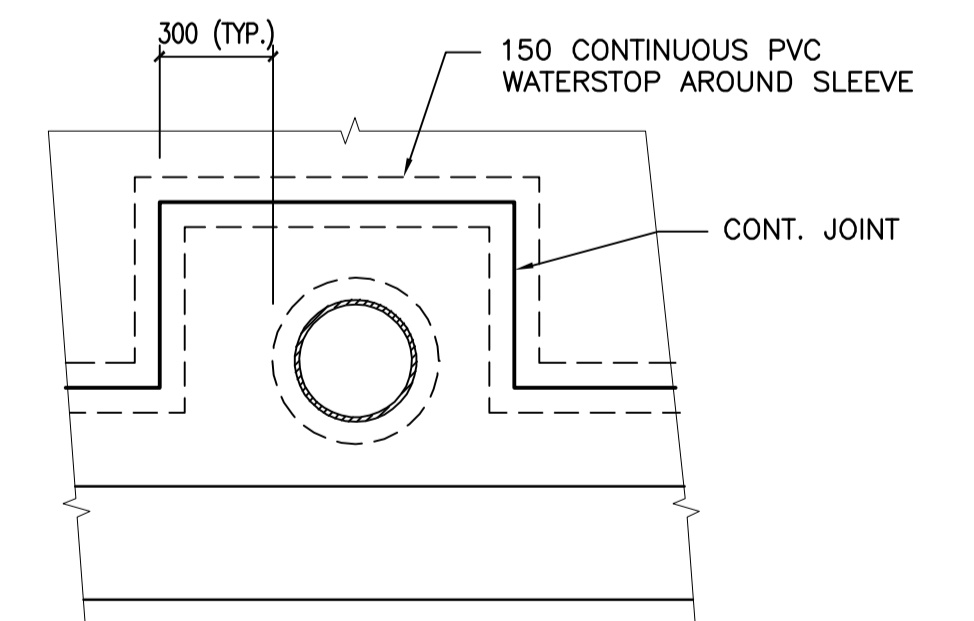
TYPICAL BENCHING CONCRETE AT CHAMBER PIPES



TYPICAL PIPE SUPPORT BEAM DETAIL



TYPICAL PIPE EMBEDMENT DETAIL



SECTION VIEW OF TYPICAL PIPE EMBEDMENT DETAIL

METRIC  
WHOLE NUMBERS INDICATE MILLIMETRES  
DECIMALIZED NUMBERS INDICATE METRES

**APEGM**  
Certificate of Authorization  
Stantec Consulting Ltd.  
No. 1301 Date: \_\_\_\_\_

LOCATION APPROVED UNDERGROUND STRUCTURES

SUPV. U/G STRUCTURES COMMITTEE	DATE
NOTE: LOCATION OF UNDERGROUND STRUCTURES AS SHOWN ARE BASED ON THE BEST INFORMATION AVAILABLE BUT NO GUARANTEE IS GIVEN THAT ALL EXISTING UTILITIES ARE SHOWN OR THAT THE GIVEN LOCATIONS ARE EXACT. CONFIRMATION OF EXISTENCE AND EXACT LOCATION OF ALL SERVICES MUST BE OBTAINED FROM THE INDIVIDUAL UTILITIES BEFORE PROCEEDING WITH CONSTRUCTION.	

B.M. ELEV.	
DESIGNED BY	M.H.
CHECKED BY	T.D.
DRAWN BY	L.L.
APPROVED BY	M.H.
HOR. SCALE:	AS NOTED
VERTICAL:	
RELEASED FOR CONSTRUCTION:	
NO. REVISIONS	DATE BY
1	ADDENDUM #3 - HATCH DETAIL 10.03.19
A	ISSUED FOR TENDER 10.02.16 WO

**Stantec Consulting Ltd.**  
905 Waverley Street, Winnipeg, Manitoba  
Tel 204-489-5900 Fax 204-453-9012

DESIGNED BY: M.H. CHECKED BY: T.D.  
DRAWN BY: L.L. APPROVED BY: M.H.

HOR. SCALE: AS NOTED  
VERTICAL: \_\_\_\_\_  
RELEASED FOR CONSTRUCTION: \_\_\_\_\_  
DATE: 09.11.23

ENGINEER'S SEAL  
ORIGINALLY SEALED BY:  
MOHAMMAD HOQUE  
OCT. 9, 2009

**THE CITY OF WINNIPEG**  
WATER AND WASTE DEPARTMENT

**Winnipeg**  
NORTH END WATER POLLUTION CONTROL CENTRE  
HAULED WASTEWATER RECEIVING FACILITIES  
HAULED WASTEWATER BUILDING  
TYPICAL DETAILS

BID OPPORTUNITY NO. 822-2009  
CITY DRAWING NUMBER 1-0101A-S0002-001  
SHEET 2 OF 4