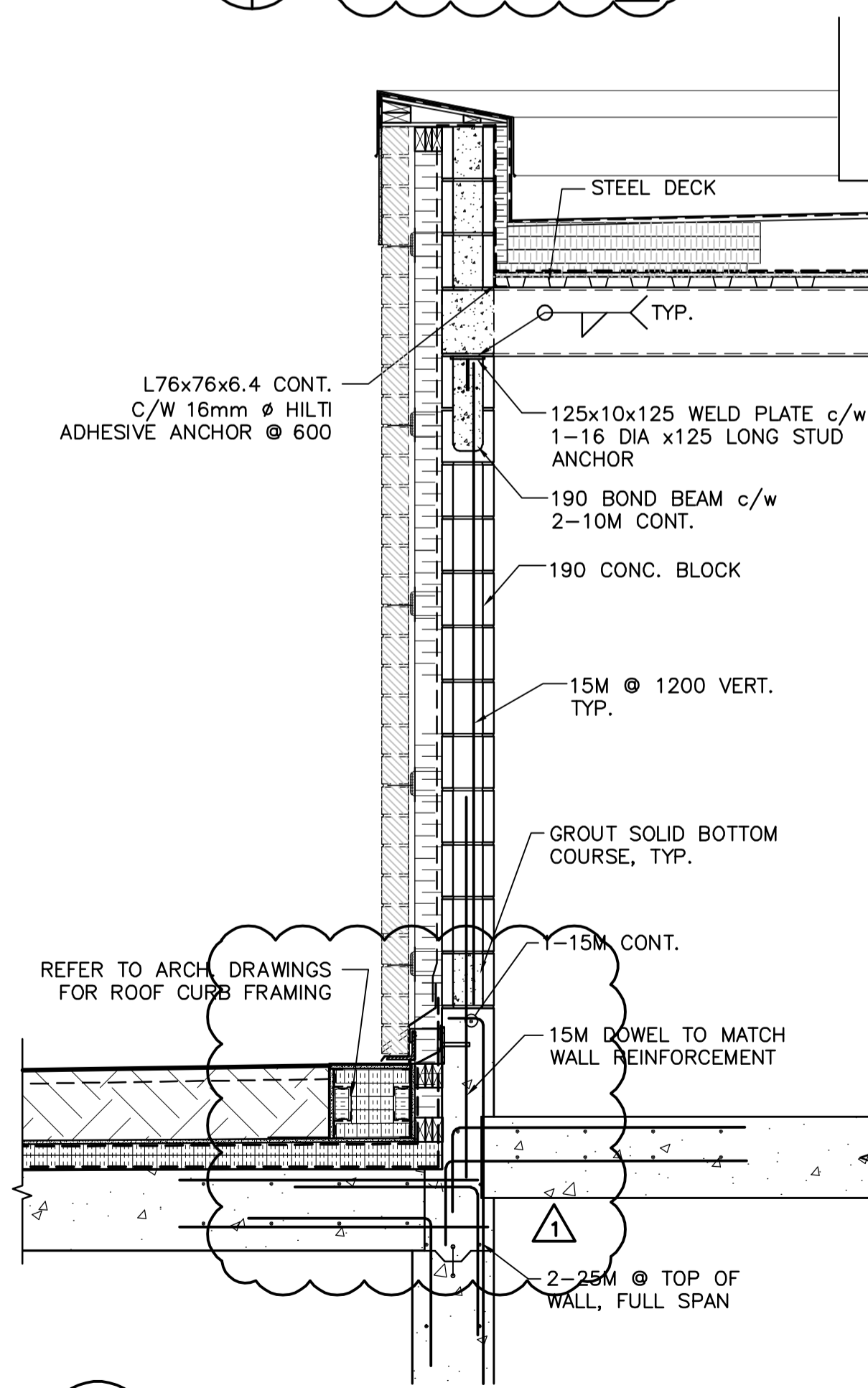


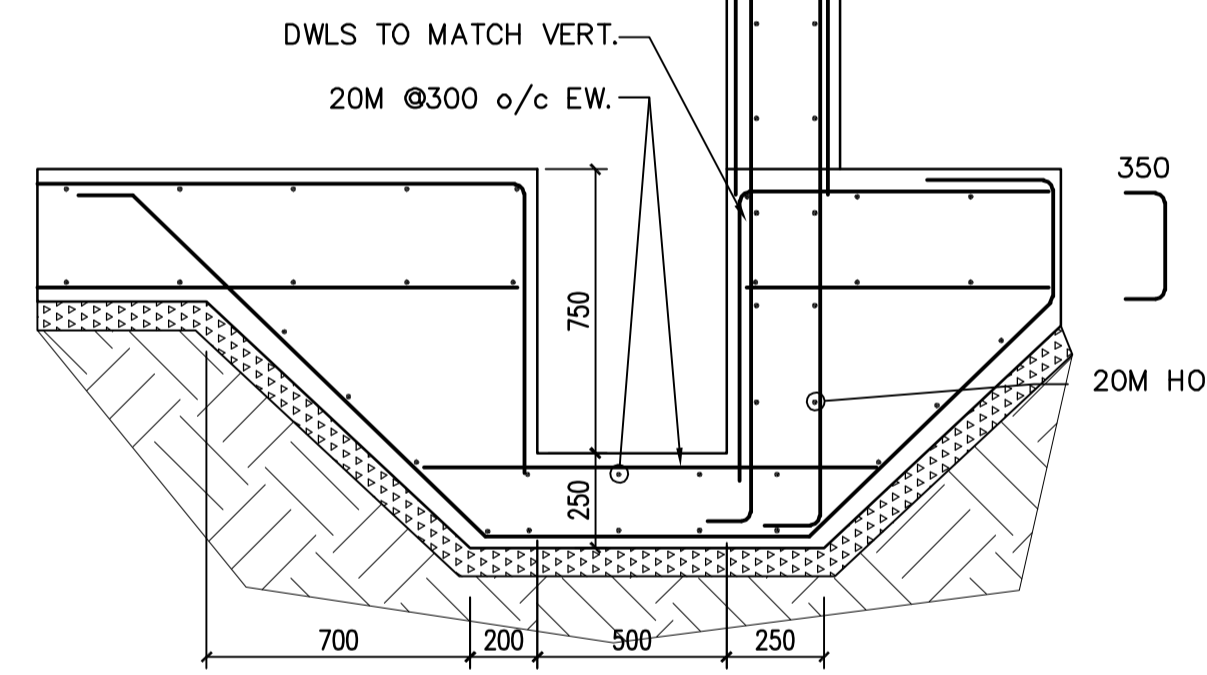
**A BUILDING SECTION**  
S0003 S0004 1:50

**B BUILDING SECTION**  
S0003 S0004 1:50

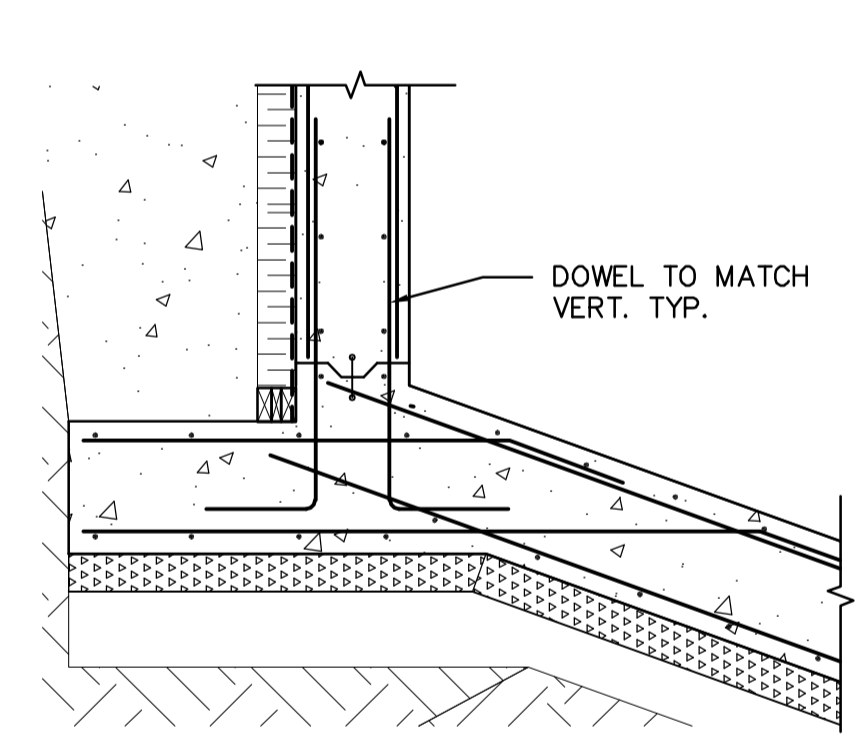
**C BUILDING SECTION**  
S0003 S0004 1:50



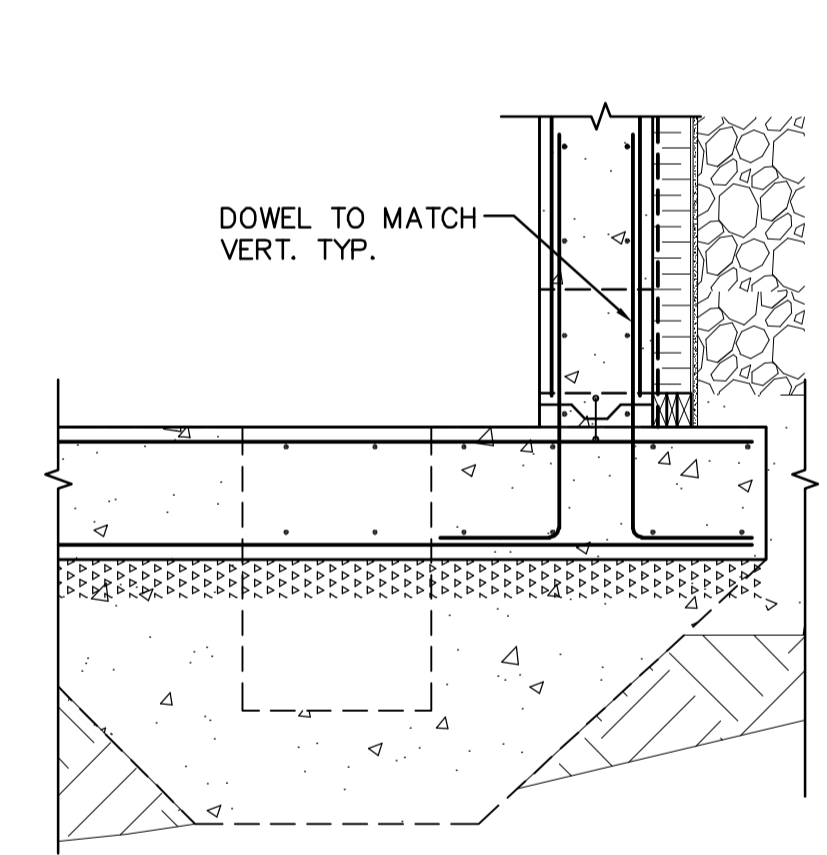
**5 SECTION DETAIL**  
S0004 S0004 1:20



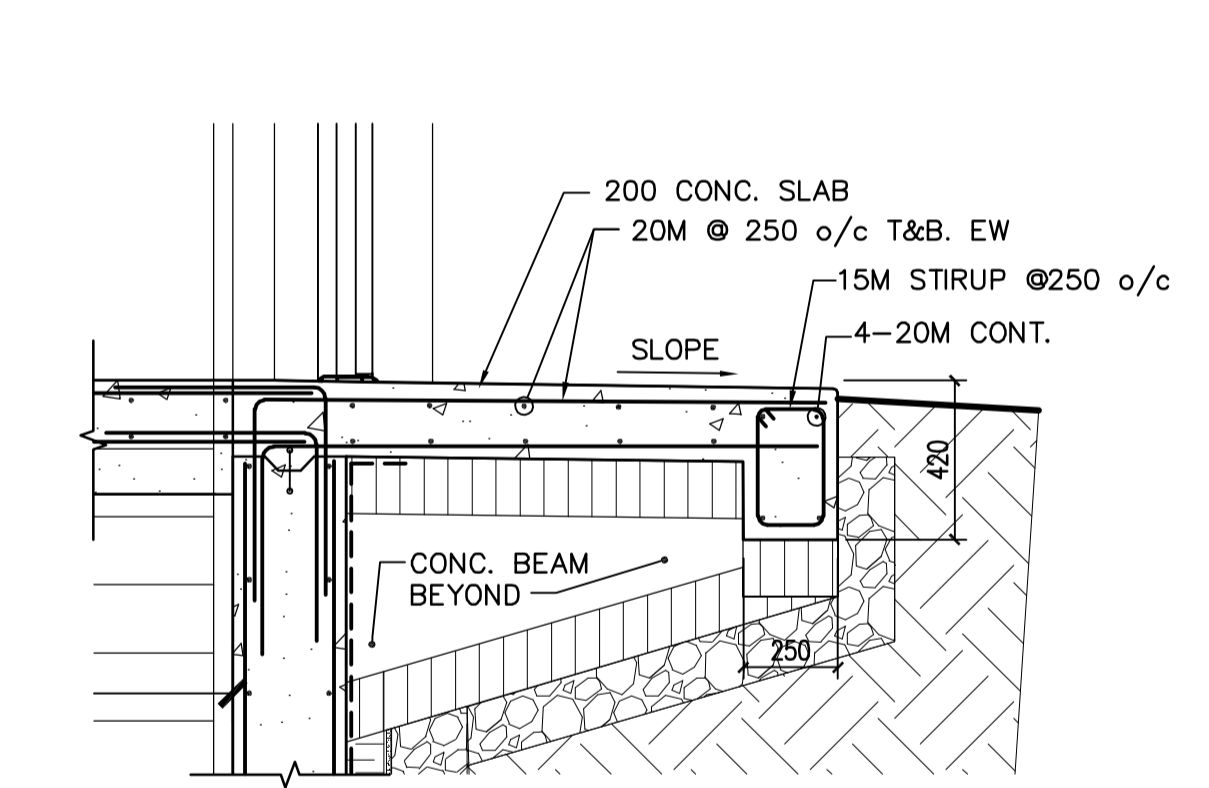
**D SECTION DETAIL**  
S0003 S0004 1:50



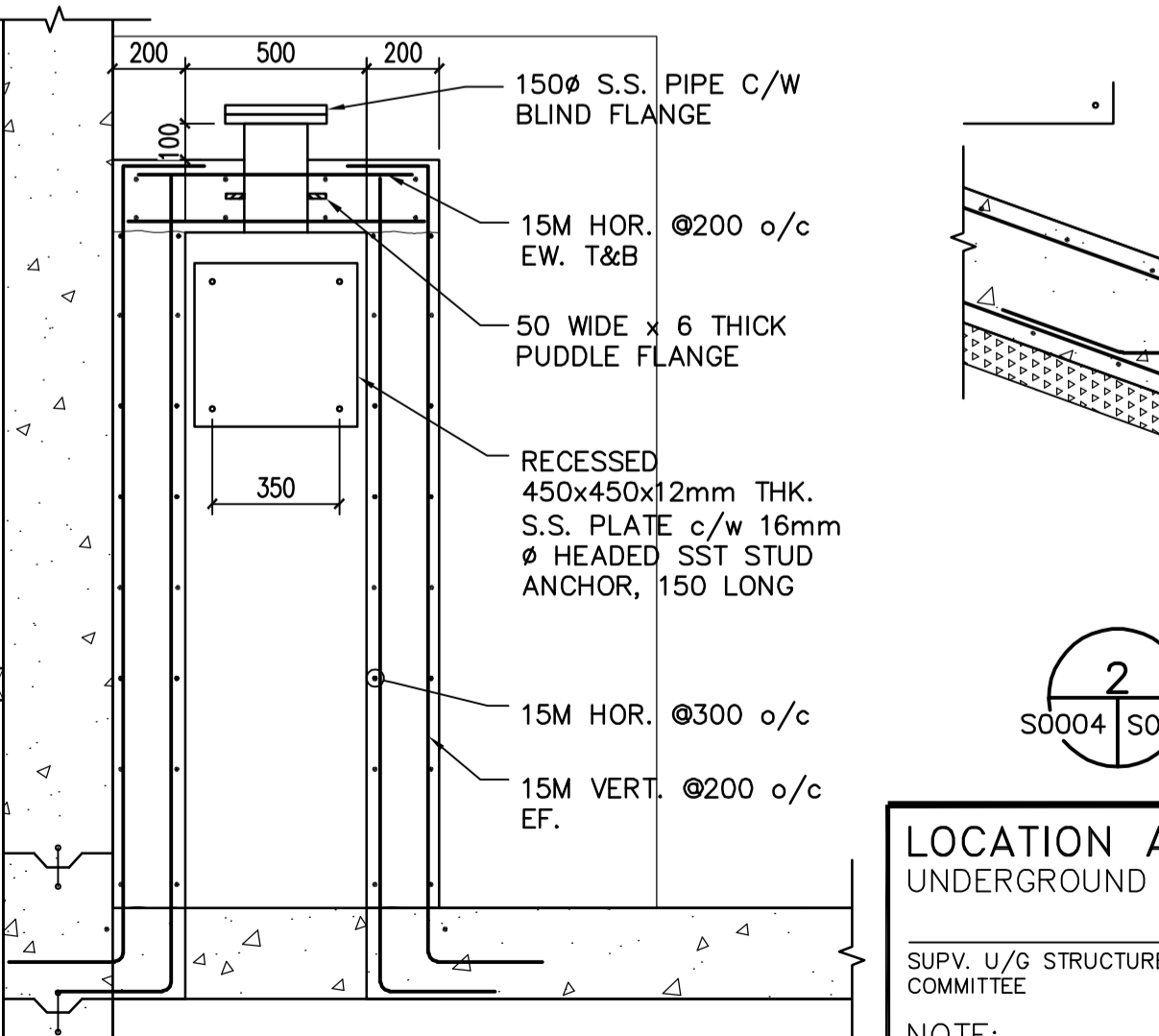
**1 SECTION DETAIL**  
S0004 S0004 1:20



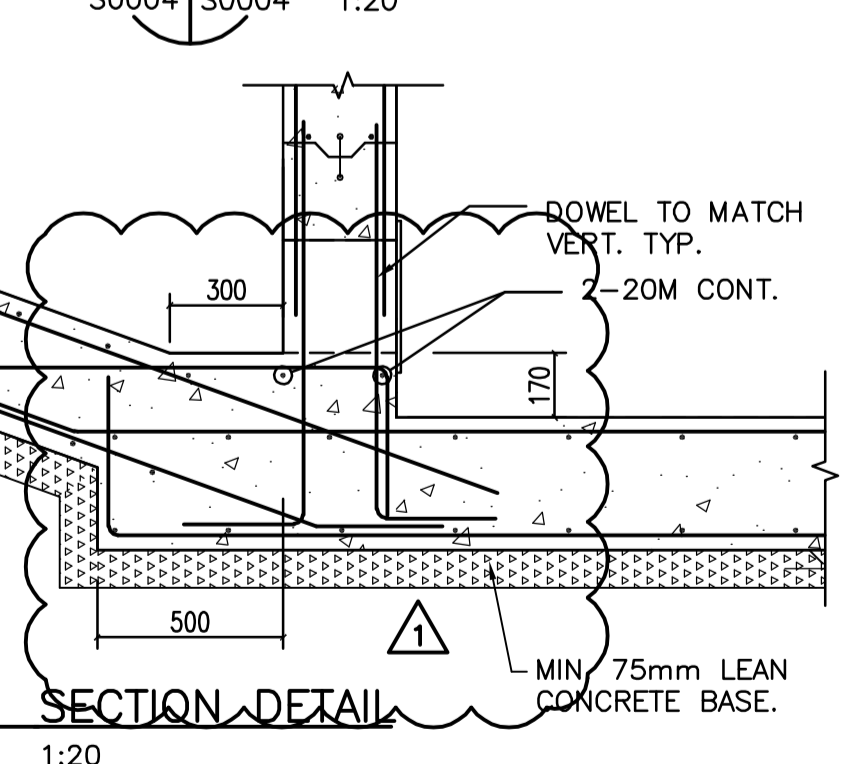
**3 SECTION DETAIL**  
S0004 S0004 1:20



**4 SECTION DETAIL**  
S0004 S0004 1:20



**2 SECTION DETAIL**  
S0004 S0004 1:20



**2 SECTION DETAIL**  
S0004 S0004 1:20

METRIC  
WHOLE NUMBERS INDICATE MILLIMETRES  
DECIMALIZED NUMBERS INDICATE METRES

**APEGM**  
Certificate of Authorization  
Stantec Consulting Ltd.  
No. 1301 Date: \_\_\_\_\_

LOCATION APPROVED UNDERGROUND STRUCTURES

SUPV. U/G STRUCTURES COMMITTEE DATE

NOTE:  
LOCATION OF UNDERGROUND STRUCTURES AS SHOWN ARE BASED ON THE BEST INFORMATION AVAILABLE BUT NO GUARANTEE IS GIVEN THAT ALL EXISTING UTILITIES ARE SHOWN OR THAT THE GIVEN LOCATIONS ARE EXACT. CONFIRMATION OF EXISTENCE AND EXACT LOCATION OF ALL SERVICES MUST BE OBTAINED FROM THE INDIVIDUAL UTILITIES BEFORE PROCEEDING WITH CONSTRUCTION.

NO.	REVISIONS	DATE	BY
1	ADDENDUM #3 - CURB DETAIL	10.03.19	
A	ISSUED FOR TENDER	10.02.16	WO

B.M. ELEV.

NO.	REVISIONS	DATE	BY
1	ADDENDUM #3 - CURB DETAIL	10.03.19	
A	ISSUED FOR TENDER	10.02.16	WO

**Stantec Consulting Ltd.**  
905 Waverley Street, Winnipeg, Manitoba  
Tel 204-489-5900 Fax 204-453-9012

DESIGNED BY	M.H.	CHECKED BY	T.D.
DRAWN BY	W.O.	APPROVED BY	M.H.
HOR. SCALE:	AS NOTED	RELEASED FOR CONSTRUCTION:	
VERTICAL:		DATE	09.11.23

ENGINEER'S SEAL

ORIGINALLY SEALED BY:  
MOHAMMAD HOQUE  
OCT. 9, 2009

BID OPPORTUNITY NO.  
**822-2009**

**THE CITY OF WINNIPEG**  
WATER AND WASTE DEPARTMENT

**Winnipeg**

**NORTH END WATER POLLUTION CONTROL CENTRE  
HAULED WASTEWATER RECEIVING FACILITIES  
HAULED WASTEWATER BUILDING  
SECTIONS AND DETAILS**

CITY DRAWING NUMBER  
**1-0101A-S0004-001**

SHEET OF  
**4** OF **4**

V:\1170\wastwa\11701830\dwg\11701830.dwg (43...\_address) Address: #3 Veracell, 5866, University Ave, Winnipeg, MB R3T 0M6  
2010-01-22 14:03:06