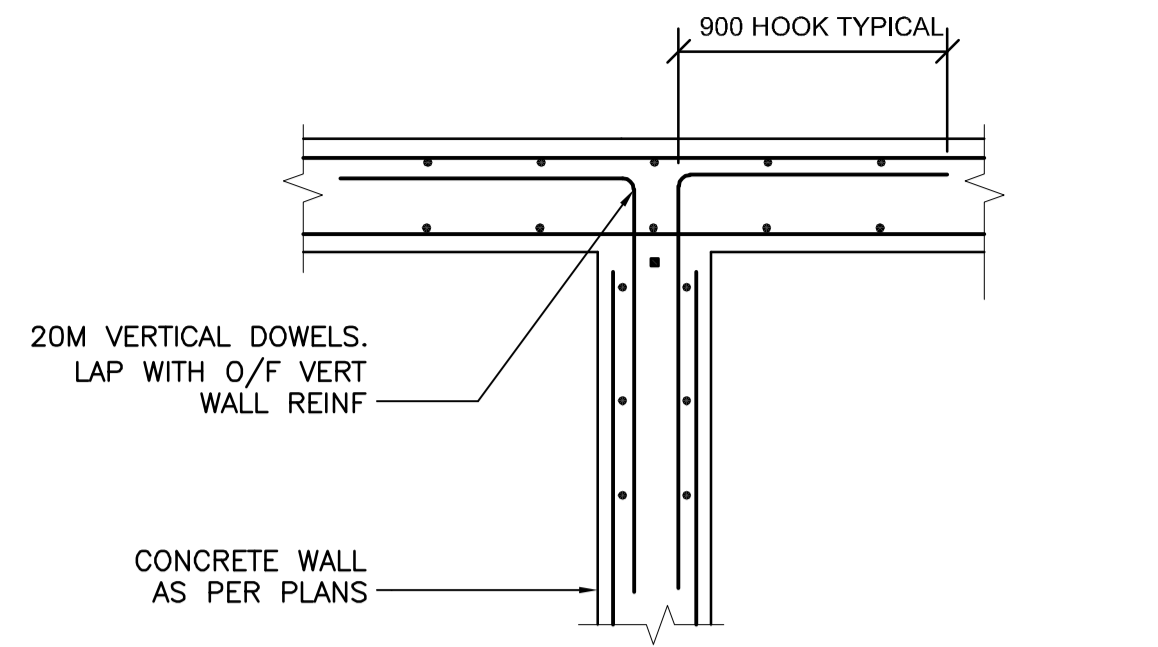
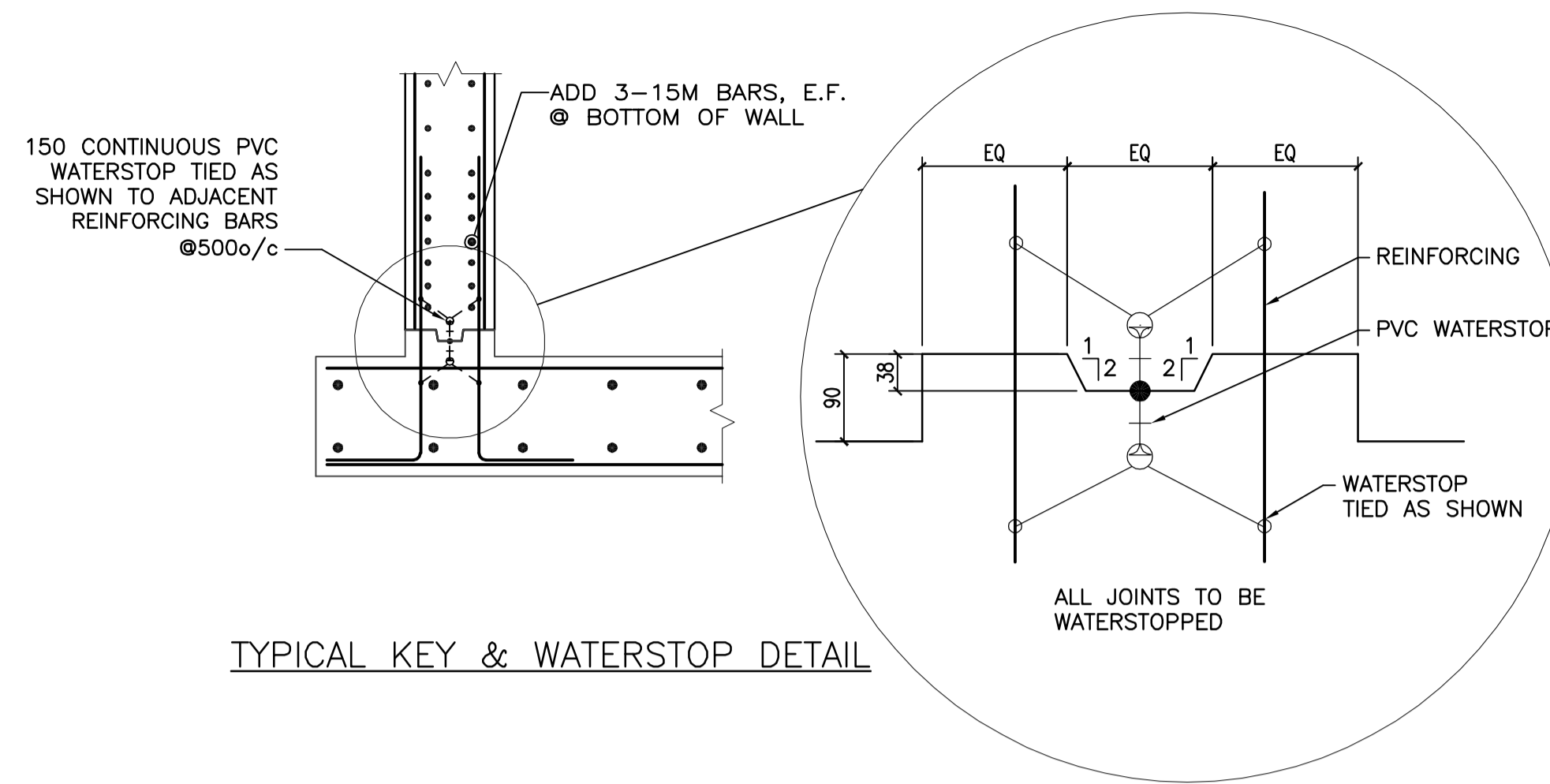


NOTE:
PROVIDE CORNER BARS WITH SAME SIZE AND SPACING OF WALL HORIZONTAL BARS, TYPICAL AT ALL WALL CORNERS, U/N

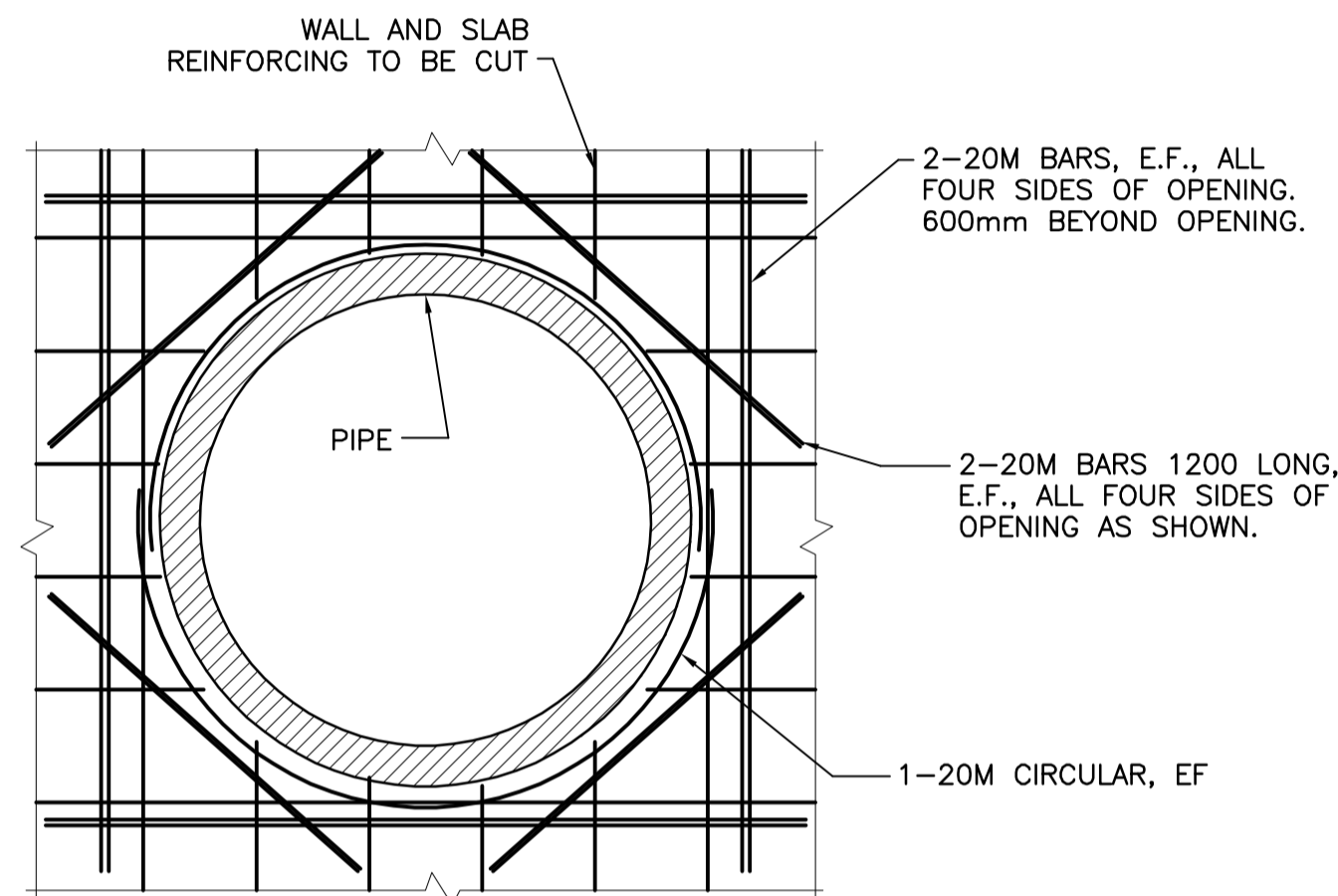
TYPICAL CORNER BAR PLAN DETAIL



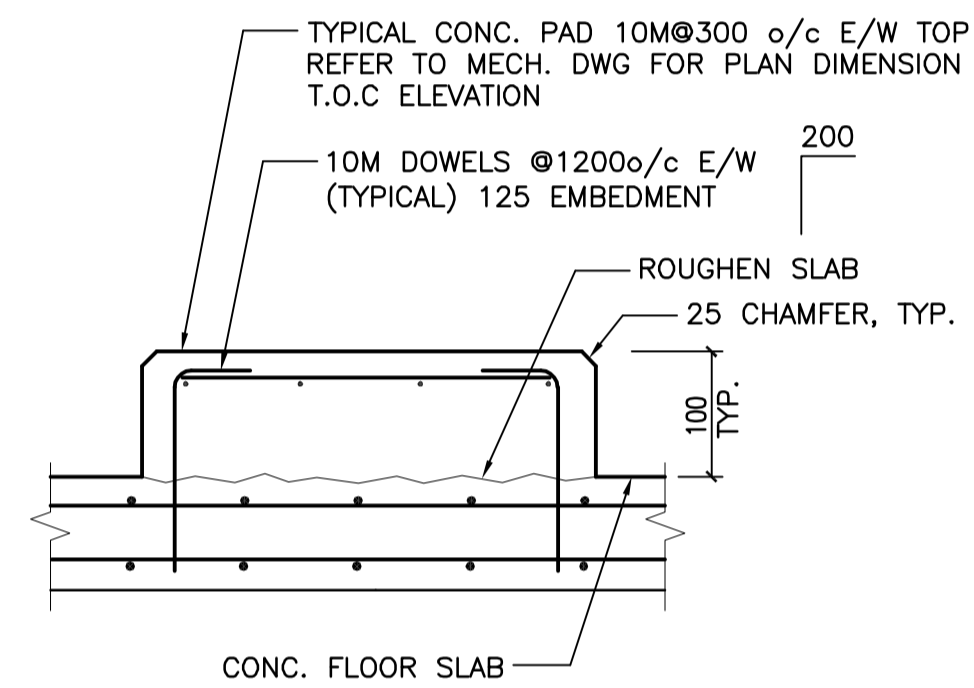
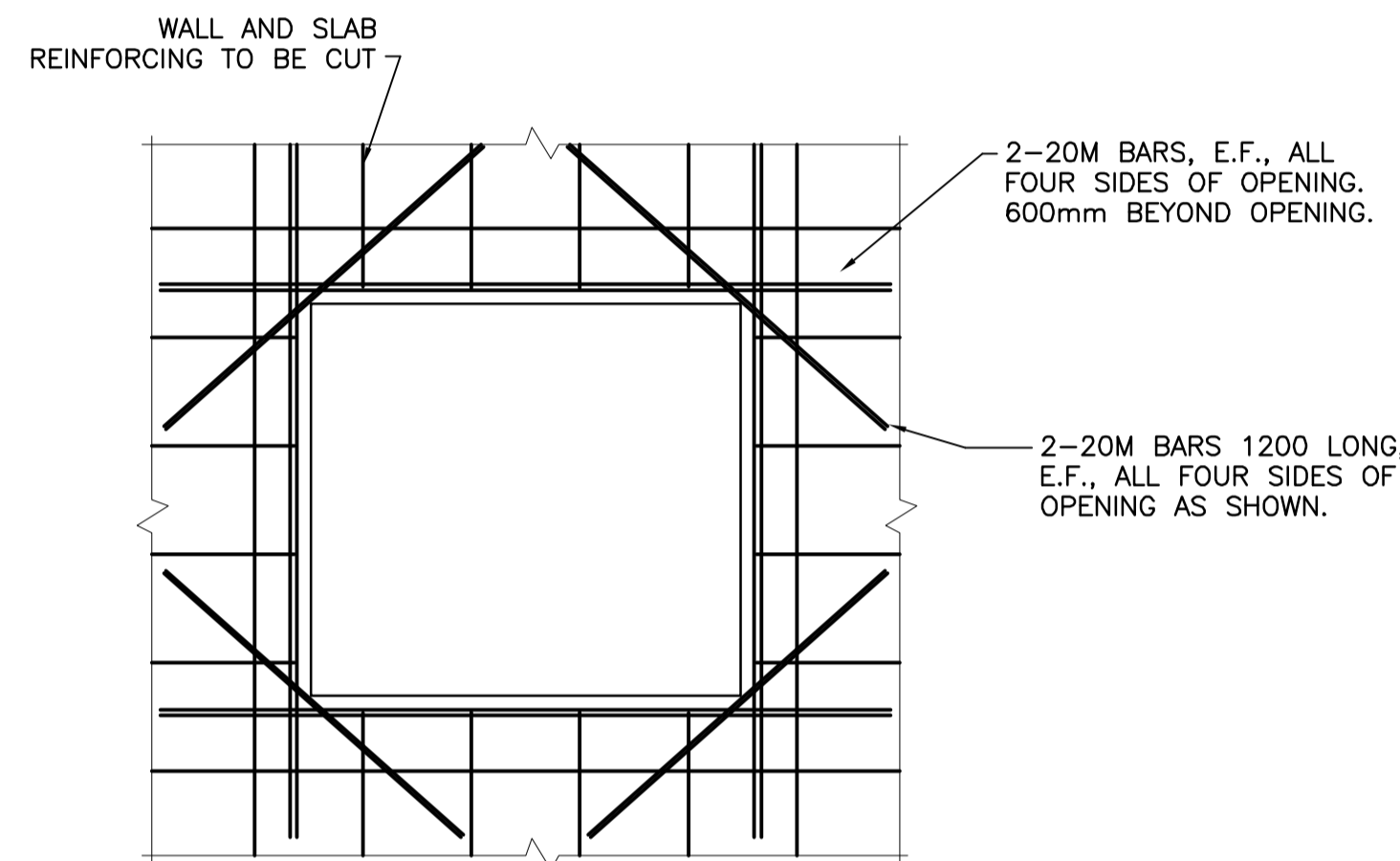
TYPICAL WALL / SLAB CONNECTION DETAIL



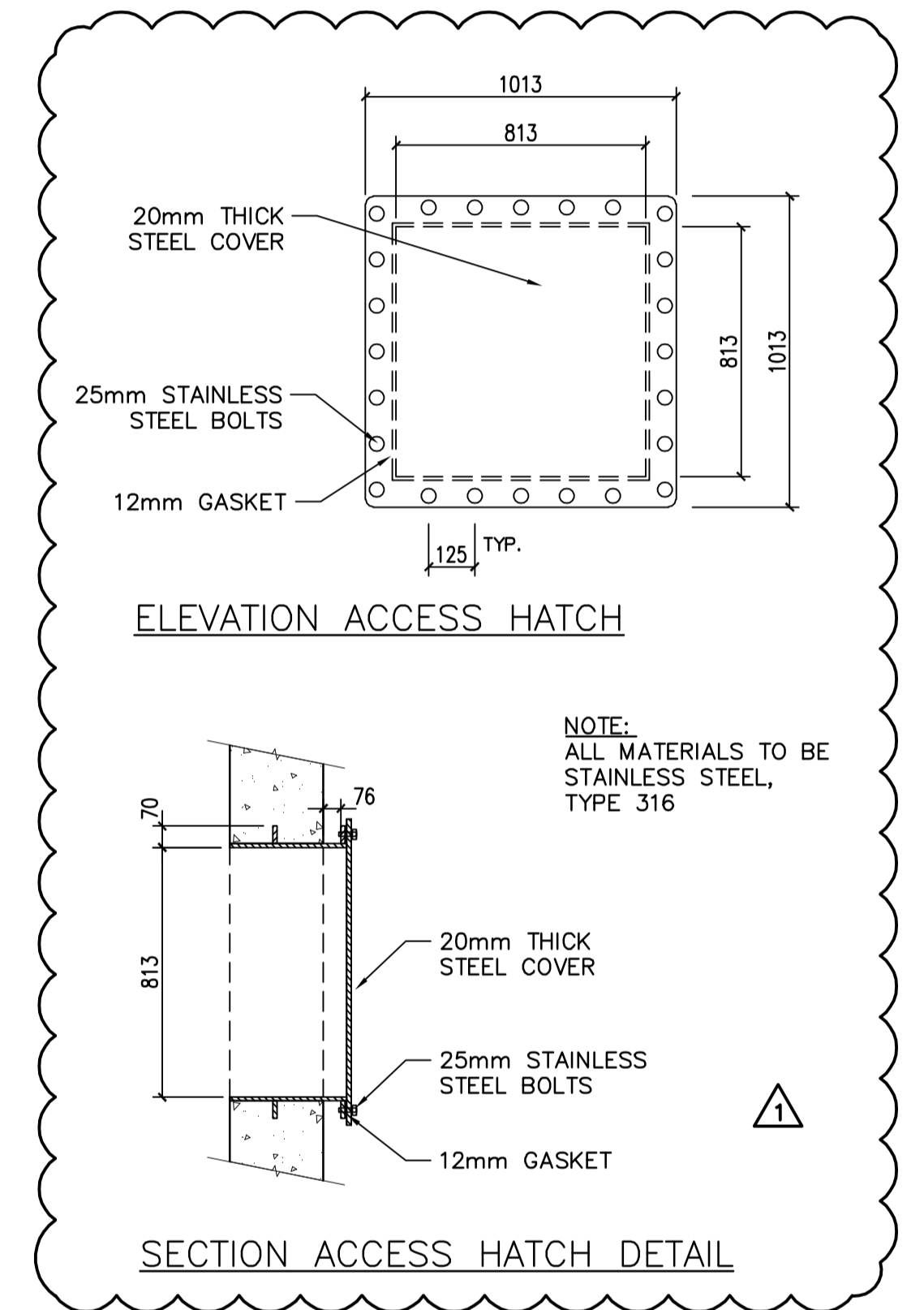
TYPICAL KEY & WATERSTOP DETAIL



TYPICAL REINFORCING FOR OPEING ON SLAB AND WALL
(FOR OPENING SIZE 300 TO 1200)



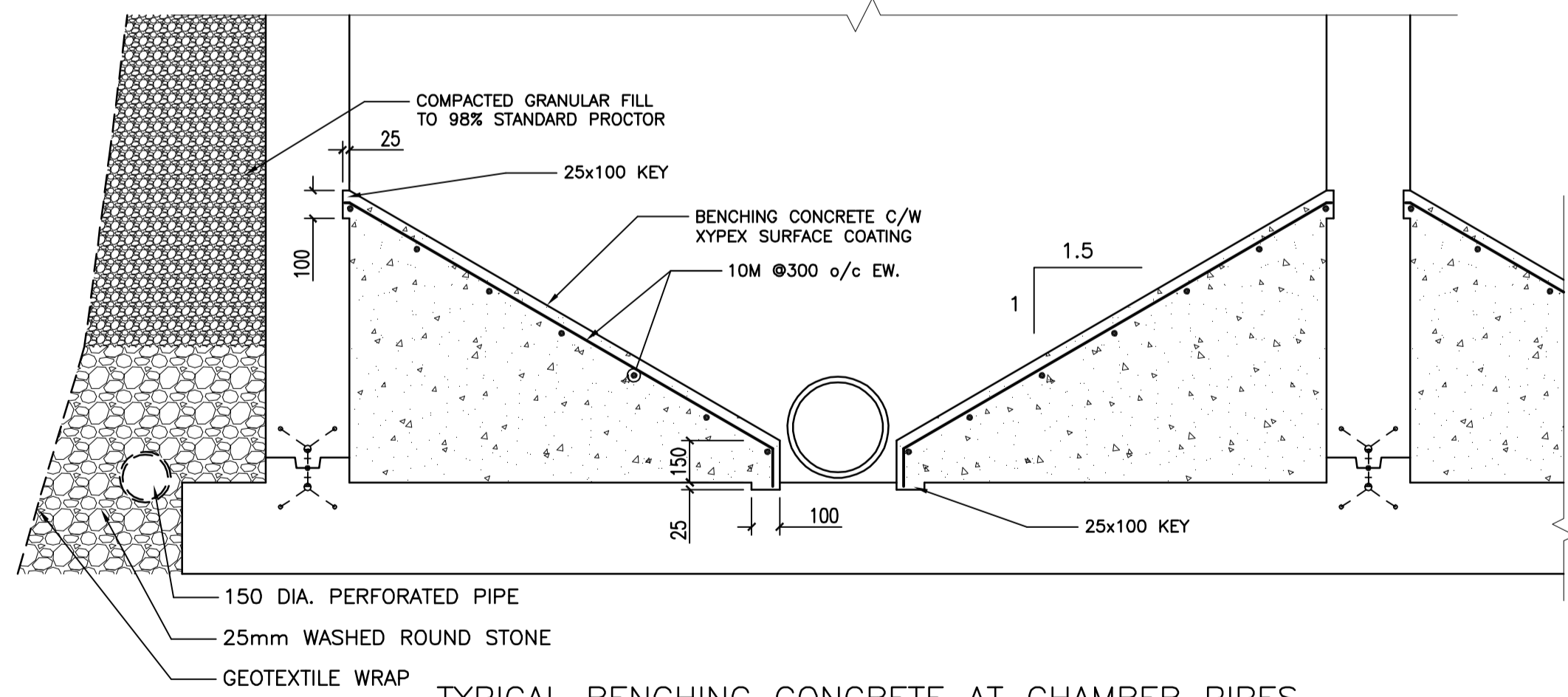
TYPICAL CONC. PAD DETAIL



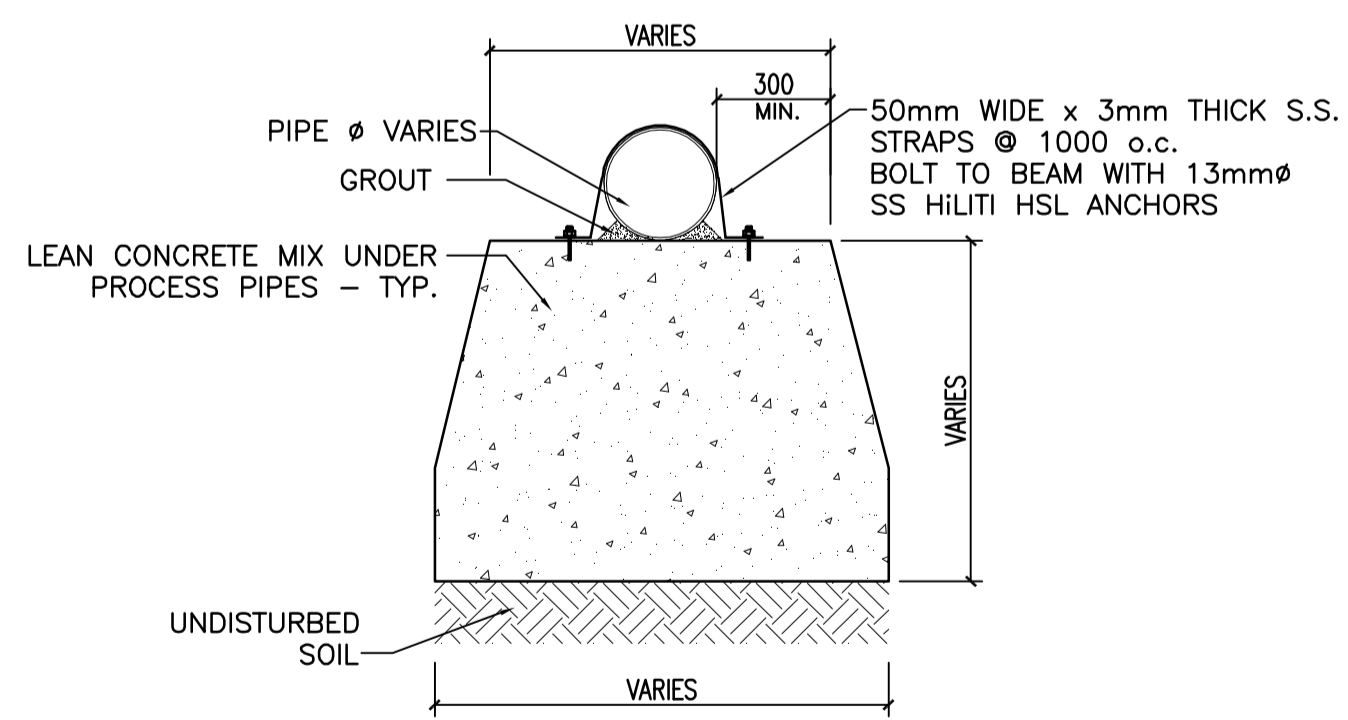
ELEVATION ACCESS HATCH

SECTION ACCESS HATCH DETAIL

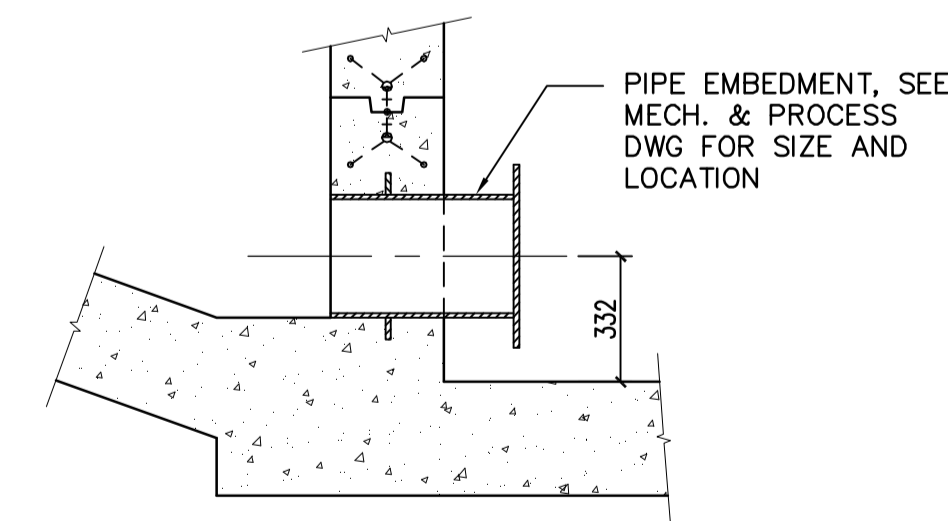
NOTE:
ALL MATERIALS TO BE STAINLESS STEEL, TYPE 316



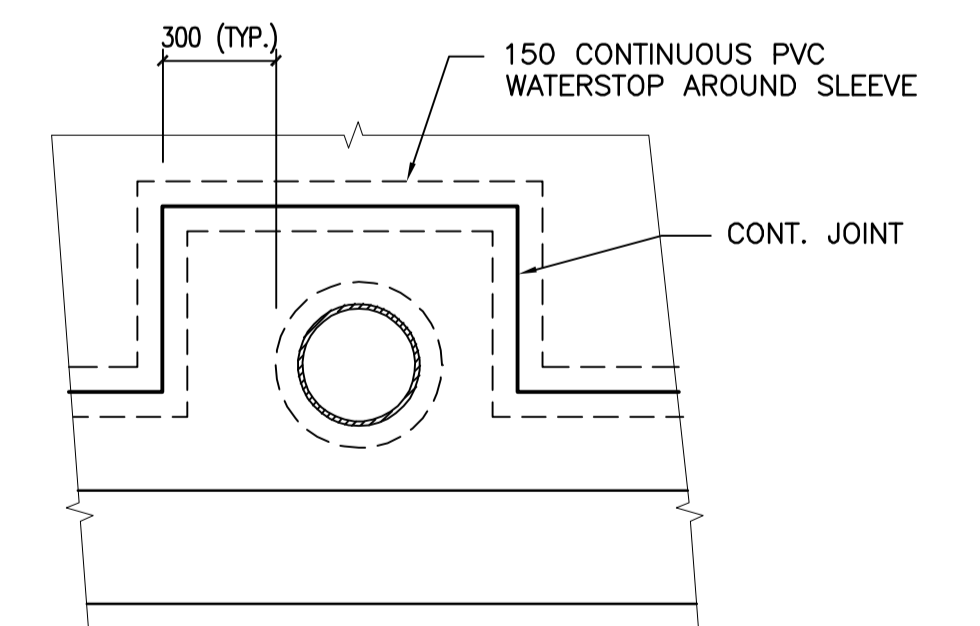
TYPICAL BENCHING CONCRETE AT CHAMBER PIPES



TYPICAL PIPE SUPPORT BEAM DETAIL



TYPICAL PIPE EMBEDMENT DETAIL



SECTION VIEW OF TYPICAL PIPE EMBEDMENT DETAIL

METRIC
WHOLE NUMBERS INDICATE MILLIMETRES
DECIMALIZED NUMBERS INDICATE METRES



| | | | |
|--|----------------------------|----------|----|
| LOCATION APPROVED UNDERGROUND STRUCTURES | | | |
| SUPV. U/G STRUCTURES COMMITTEE | DATE | | |
| NOTE: LOCATION OF UNDERGROUND STRUCTURES AS SHOWN ARE BASED ON THE BEST INFORMATION AVAILABLE BUT NO GUARANTEE IS GIVEN THAT ALL EXISTING UTILITIES ARE SHOWN OR THAT THE GIVEN LOCATIONS ARE EXACT. CONFIRMATION OF EXISTENCE AND EXACT LOCATION OF ALL SERVICES MUST BE OBTAINED FROM THE INDIVIDUAL UTILITIES BEFORE PROCEEDING WITH CONSTRUCTION. | | | |
| NO. | REVISIONS | DATE | BY |
| 1 | ADDENDUM #3 - HATCH DETAIL | 10.03.19 | |
| A | ISSUED FOR TENDER | 10.02.16 | WO |

| | | | |
|-------------|----------|----------------------------|----------|
| B.M. ELEV. | | | |
| DESIGNED BY | M.H. | CHECKED BY | T.D. |
| DRAWN BY | W.O. | APPROVED BY | M.H. |
| HOR. SCALE: | AS NOTED | RELEASED FOR CONSTRUCTION: | |
| VERTICAL: | | DATE | 09.11.23 |

Stantec Consulting Ltd.
905 Waverley Street, Winnipeg, Manitoba
Tel 204-489-5900 Fax 204-453-9012

DESIGNED BY: M.H. CHECKED BY: T.D.
DRAWN BY: W.O. APPROVED BY: M.H.

HOR. SCALE: AS NOTED
VERTICAL: AS NOTED

RELEASED FOR CONSTRUCTION: DATE

ENGINEER'S SEAL
ORIGINALLY SEALED BY:
MOHAMMAD HOQUE
OCT. 9, 2009

THE CITY OF WINNIPEG
WATER AND WASTE DEPARTMENT

Winnipeg

NORTH END WATER POLLUTION CONTROL CENTRE
HAULED WASTEWATER RECEIVING FACILITIES
LEACHATE RECEIVING BUILDING
TYPICAL DETAILS

BID OPPORTUNITY NO. 822-2009
CITY DRAWING NUMBER 1-0101A-S0006-001
SHEET 2 OF 4