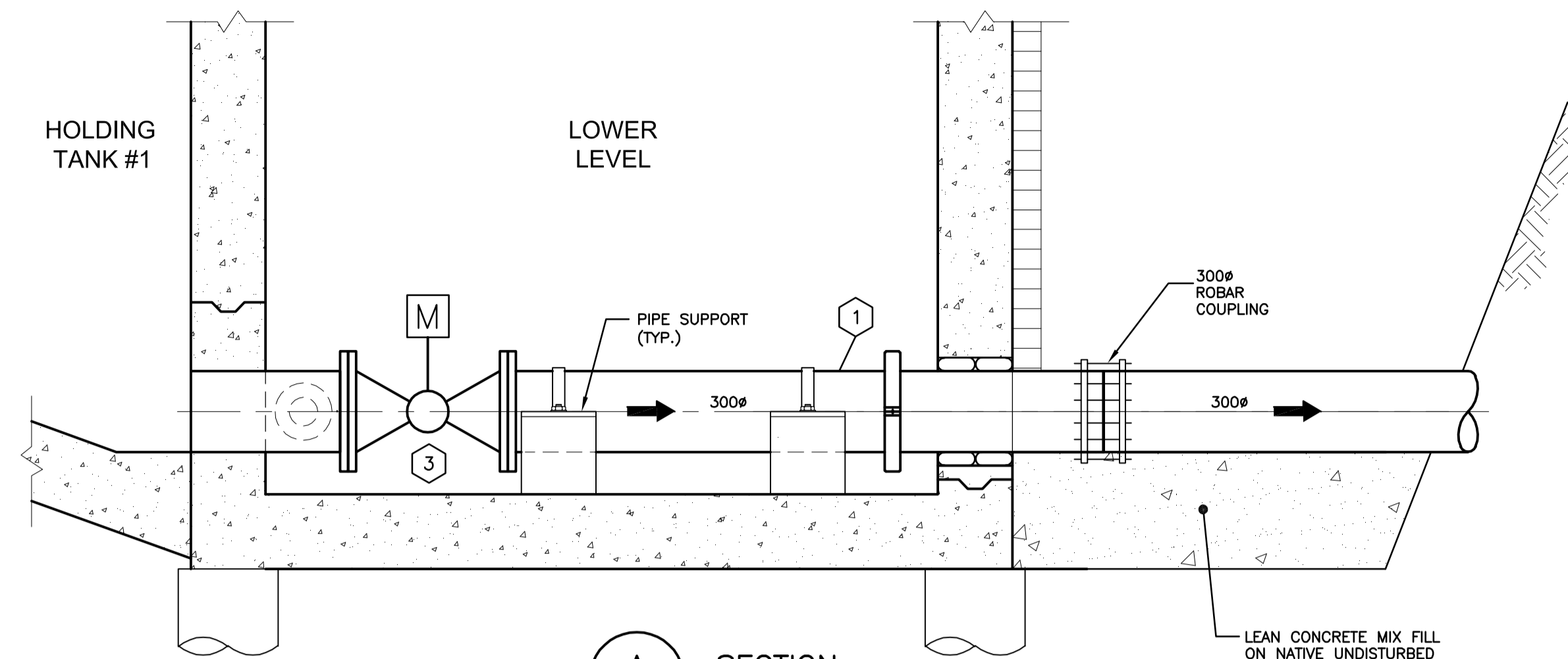
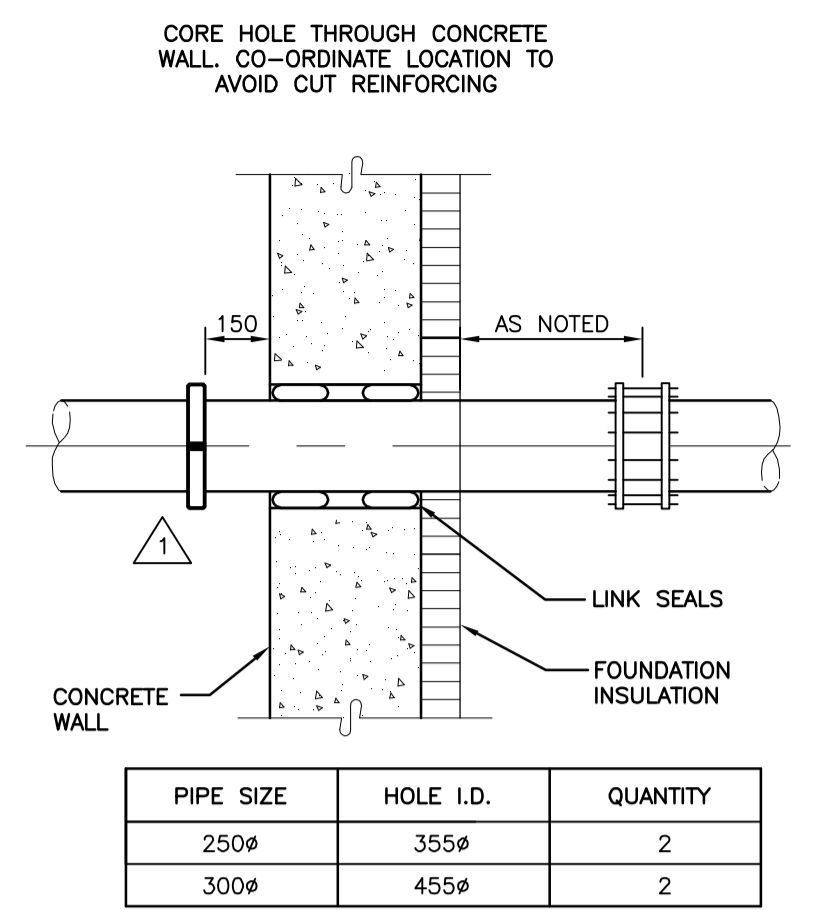


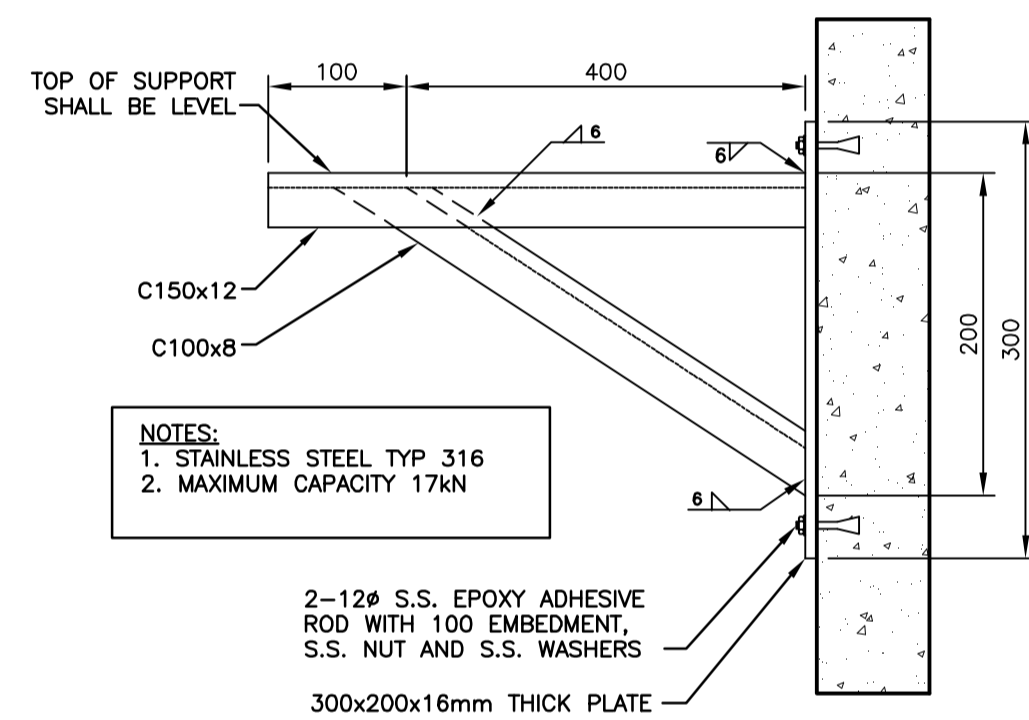
**1 PLAN**  
P0003 1:20



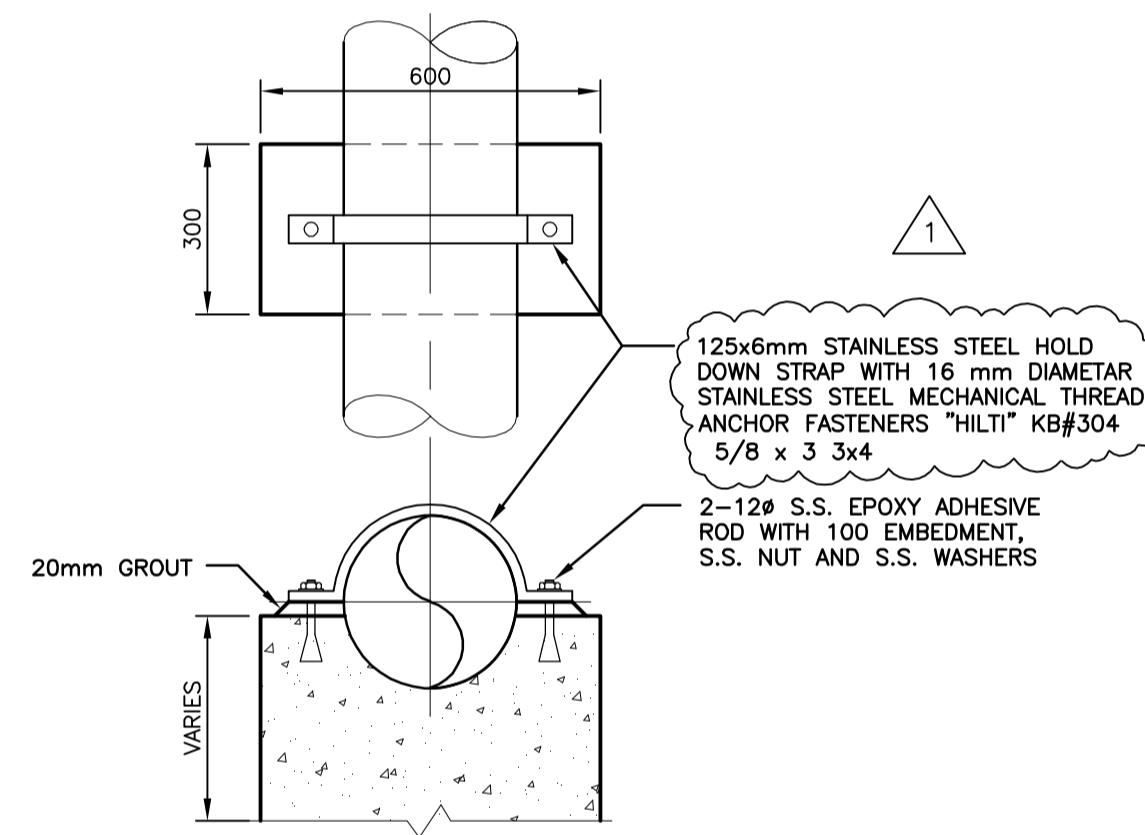
**A SECTION**  
P0003 1:20



**1 TYPICAL DETAIL**  
P0003 N.T.S.



**TYPICAL PIPE SUPPORT DETAILS**  
N.T.S.



**2 TYPICAL DETAIL**  
P0003 1:20

- NOTE:**
- 1 ALL PIPE TO BE IPS TYPE 316L STAINLESS STEEL -SCHEDULE 10S
  - 2 VICTAULIC STEEL RIGID COUPLING
  - 3 ELECTRIC ACTUATED BALL VALVE
  - 4 CONCRETE PIPE SUPPORT
  - 5 LEAN MIX CONCRETE FILL REFER TO STRUCTURAL DRAWING S0007
  - 6 ALUMINUM BAYCO FITTING C/W CAP

V:\1170\weld\11701803\dwg\11701803.dwg (metric) (40...\_addend\process\wmpoc\11701803-102-mm-fldwg  
 2010-05-28 11:52AM By: t.mccoy

**METRIC**  
WHOLE NUMBERS INDICATE MILLIMETRES  
DECIMALIZED NUMBERS INDICATE METRES

**APEGM**  
Certificate of Authorization  
Stantec Consulting Ltd.  
No. 1301 Date: \_\_\_\_\_

<b>LOCATION APPROVED UNDERGROUND STRUCTURES</b> SUPV. U/G STRUCTURES COMMITTEE DATE _____		<b>Stantec Consulting Ltd.</b> 905 Waverley Street, Winnipeg, Manitoba Tel 204-489-5900 Fax 204-453-9012		ENGINEER'S SEAL  <b>ORIGINAL SEALED BY A.H.BEGHIN P. ENG. 10/02/24</b>		<b>THE CITY OF WINNIPEG</b> WATER AND WASTE DEPARTMENT  <b>Winnipeg</b> <b>NORTH END WATER POLLUTION CONTROL CENTRE</b> HAULED WASTEWATER RECEIVING FACILITIES <b>HAULED WASTEWATER RECEIVING BUILDING</b> LOWER FLOOR PLAN AND DETAILS	
<b>NOTE:</b> LOCATION OF UNDERGROUND STRUCTURES AS SHOWN ARE BASED ON THE BEST INFORMATION AVAILABLE BUT NO GUARANTEE IS GIVEN THAT ALL EXISTING UTILITIES ARE SHOWN OR THAT THE GIVEN LOCATIONS ARE EXACT. CONFIRMATION OF EXISTENCE AND EXACT LOCATION OF ALL SERVICES MUST BE OBTAINED FROM THE INDIVIDUAL UTILITIES BEFORE PROCEEDING WITH CONSTRUCTION.		B.M. ELEV. _____ DESIGNED BY: A.H.B. CHECKED BY: E.W. DRAWN BY: K.R. APPROVED BY: A.H.B. HOR. SCALE: AS NOTED VERTICAL: _____ RELEASED FOR CONSTRUCTION: _____ DATE: 09.09.21		TENDER NO. <b>822-2009</b> CITY DRAWING NUMBER <b>I-OIOIA-P0003-001</b> SHEET <b>3</b> OF <b>8</b>			